

**PLEASE CHECK WWW.MOLEX.COM FOR LATEST PART INFORMATION**

**Part Number:** [51048-0910](#)  
**Status:** **Active**  
**Description:** 2.00mm Pitch Cable Holder, Vertical, Low Profile, for Ribbon Cable, 9 Circuits

**Documents:**

[Drawing \(PDF\)](#) [RoHS Certificate of Compliance \(PDF\)](#)  
[Product Specification PS-51048-002 \(PDF\)](#)

**General**

|                     |                                     |
|---------------------|-------------------------------------|
| Product Family      | Ribbon Cable / Wire Trap Connectors |
| Series              | 51048                               |
| Component Type      | One Piece                           |
| Glow-Wire Compliant | No                                  |
| Product Name        | Board-In, Cable Holder              |
| UPC                 | 800753574786                        |

**Physical**

|                                |                 |
|--------------------------------|-----------------|
| Circuits (Loaded)              | 9               |
| Color - Resin                  | Natural         |
| Entry Angle                    | Vertical        |
| Lock to Mating Part            | None            |
| Material - Plating Mating      | N/A             |
| Material - Resin               | Nylon           |
| Net Weight                     | 322.900/mg      |
| Number of Rows                 | 1               |
| PCB Retention                  | Yes             |
| PCB Thickness - Recommended    | 1.60mm          |
| Packaging Type                 | Bag             |
| Pitch - Mating Interface       | 2.00mm          |
| Pitch - Termination Interface  | 2.00mm          |
| Polarized to Mating Part       | N/A             |
| Polarized to PCB               | No              |
| Stackable                      | No              |
| Surface Mount Compatible (SMC) | No              |
| Temperature Range - Operating  | -40°C to +105°C |
| Wire Insulation Diameter       | 1.60mm max.     |
| Wire Size AWG                  | 26              |
| Wire/Cable Type                | Ribbon Cable    |

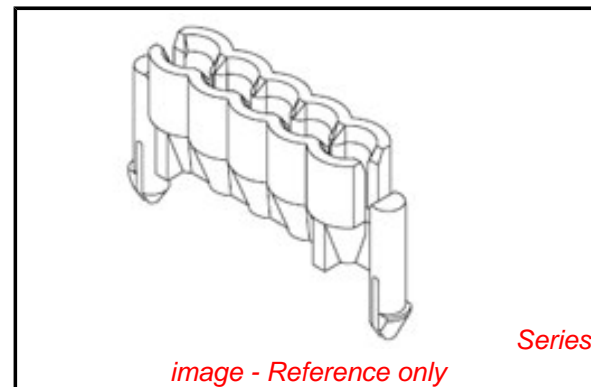
**Electrical**

|                               |     |
|-------------------------------|-----|
| Current - Maximum per Contact | N/A |
| Voltage - Maximum             | N/A |

**Material Info**

**Reference - Drawing Numbers**

|                       |               |
|-----------------------|---------------|
| Product Specification | PS-51048-002  |
| Sales Drawing         | SD-51048-**10 |



**EU RoHS**

**ELV and RoHS Compliant**

**REACH SVHC**

Not Reviewed

**Low-Halogen Status**

**Not Low-Halogen**

**China RoHS**



**Need more information on product environmental compliance?**

Email [productcompliance@molex.com](mailto:productcompliance@molex.com)  
 For a multiple part number RoHS Certificate of Compliance, [click here](#)

Please visit the [Contact Us](#) section for any non-product compliance questions.

**Search Parts in this Series**

51048Series

**Mates With**

N/A

**Use With**

Topcoated Ribbon Cable