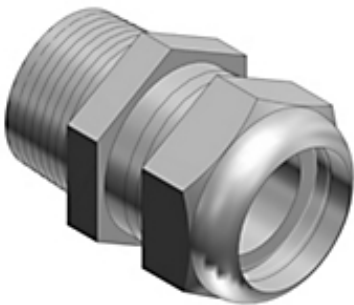




Actual



Representative

Catalog Number: 2922SST
Product ID: 7TAD105340R0003
UPC Number: 78620987791
EAN Number: 05415022259698
Status: Active

Liquidtight Strain Relief Connector, 1/2 Inch NPT Threads, Straight, Cord Range 0.500 to 0.750 Inch, 304 Stainless Steel Body with Rubber Bushing

- Type 304 stainless steel construction for your harshest environments
- Ranger liquidtight cord connectors offer twice the cord diameter range of similar connectors, so you can do more with fewer sizes to order and stock.
- Ranger connectors form a non-slip mechanical grip, providing a liquidtight seal and the strain relief required for flexible portable cord connections.
- Superior corrosion resistance in wash down areas and other corrosive environments.
- Stands up to heat and UV exposure better than non-metallic connectors.
- Beveled, moisture and oil-resistant synthetic rubber bushing system ensures superior compression and sealing of fitting to cord.
- Bushing marked with cord range for easy identification out of box.
- Ideal for MRO and OEM applications in corrosive environments such as food & beverage and pharmaceutical processing wash down area.
- Pulp and paper mills, wastewater treatment, saltwater applications and petrochemical refining.

Header

3D Model Available on Website

North American Specifications (UNSPSC)

UNSPSC	39121431 Cable gland connector
IGCC	4601 Cable gland connector
Brand Name	T&B
Type	Cord Connectors-Straight
Special Features	Type 304 Stainless Steel Construction for Your Harshest Environments
Application	Ideal for MRO and OEM Applications In Corrosive Environments Such As Food & Beverage and Pharmaceutical Processing Wash Down Area.
Standard	UL E13938, CSA
Size	1/2 Inch
Conductor Range	0.500 to 0.750 Inch
Material	Stainless Steel
Color	Metallic

European Specifications (ETIM)

ETIM	EC000441 Cable screw gland
Thread type	NPT
Nominal thread size inch/gas pipe thread	1/2 inch
Suitable for cable diameter	12.7-19.05mm
Material	Metal
Material quality	Stainless steel V2A
Colour	Natural colour
Model	Straight

Packaging

Inner Quantity	25
Inner Dimensions (inches)	6x5x4

Outer Quantity	125
Outer Dimensions (inches)	12.9x5.1x10.9
Weight Uom	0.25 lbs. Each

Documents / Support Tools

Technical Data Sheet CA	Available on Website
Technical Data Sheet Global	wsd-000335

For further technical assistance, please contact us...

Thomas & Betts - USA
8155 T&B Blvd.
Memphis, TN 38125
www.tnb.com

T&B Technical Support
MS 3B-50
8155 T&B Blvd.
Memphis, TN 38125

Hours: 7AM - 6PM CDT
Monday-Friday
Phone: (888) 862-3289
Fax: (901) 252-1321
Email:techsupport@tnb.com