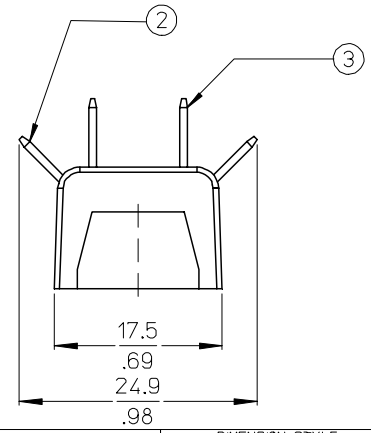
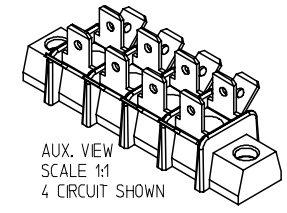
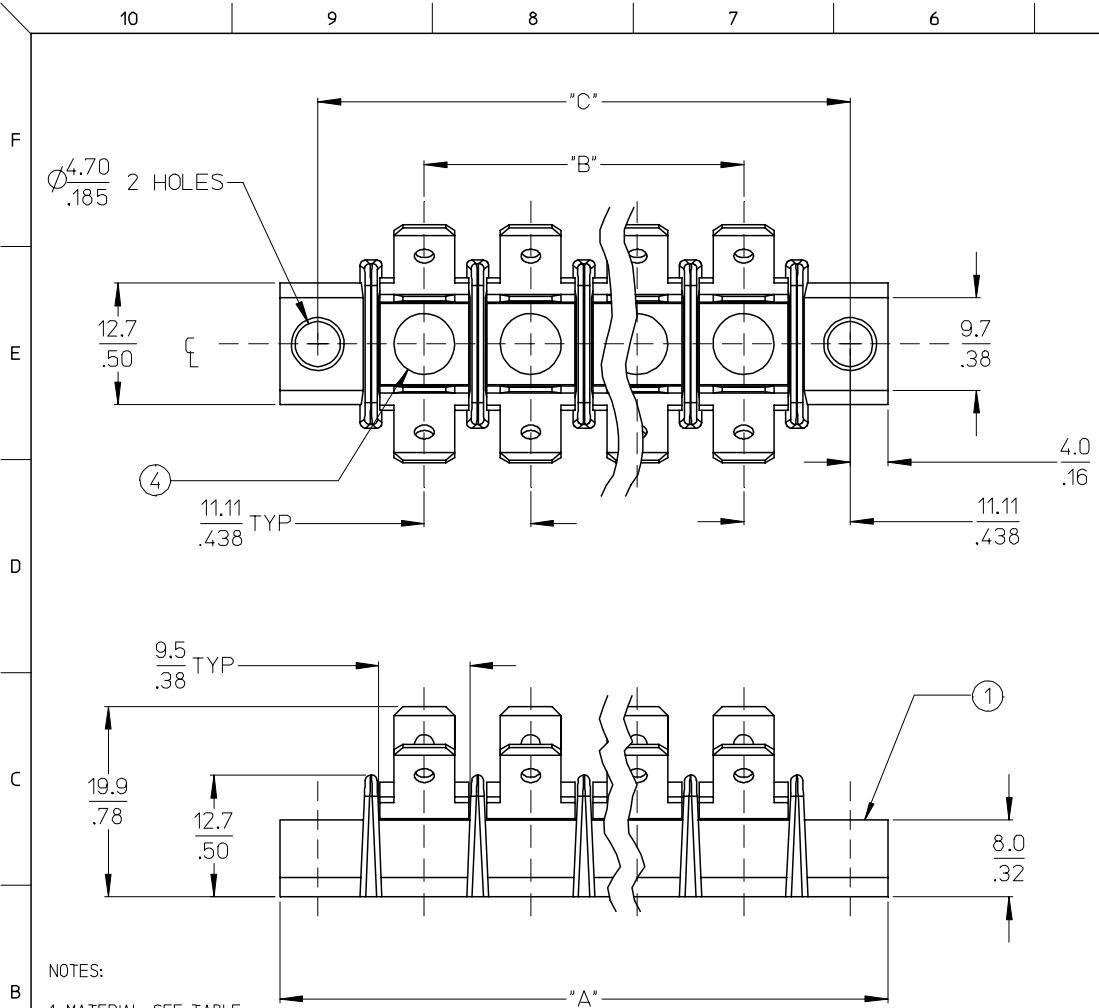


38259

ASSEMBLY MATERIAL NO.	NUMBER OF CIRCUITS "XX"	DIM. "A"		DIM. "B"		DIM. "C"		BARRIER MATERIAL NO.
382590008	02	41.3	1.62	11.11	.438	33.34	1.313	382580002
382590018	03	52.4	2.06	22.23	.875	44.45	1.750	382580003
382590031	04	63.5	2.50	33.34	1.313	55.56	2.188	382580004
382590044	05	74.6	2.94	44.45	1.750	66.68	2.625	382580005
382590053	06	85.7	3.37	55.56	2.188	77.79	3.063	382580006
382590071	08	107.9	4.25	77.79	3.063	100.01	3.938	382580008
382590082	12	152.4	6.00	122.24	4.813	144.46	5.688	382580012
382590089	20	241.3	9.50	211.14	8.313	233.36	9.188	382580020



- NOTES:
1. MATERIAL: SEE TABLE.
  2. FINISHES: SEE TABLE.
  3. PRODUCT SPECIFICATION: NOT REQUIRED.
  4. PACKAGING: NOT REQUIRED.
  5. "XX" REFERS TO THE QUANTITY OF CIRCUITS.
  6. ROHS COMPLIANT.

ITEM	QTY.	DESCRIPTION	MATERIAL	FINISH
4	XX	RIVET SEMI-TUBE SN/B .203 LONG	BRASS	TIN PLATED
3	XX	.250 DBL TAB 1 HOLE 90/90 VERTICAL TIN	BRASS	TIN PLATED
2	XX	.250 DBL TAB 1 HOLE 45/45 SLANT TIN	BRASS	TIN PLATED
1	1	BARRIER TERMINAL STRIP	PHENOLIC	BLACK

ADD P/N 382590053  
 EC NO: ETC2008-0073  
 DRWN: JENCINAS 2007/10/17  
 CHKD: JENCINAS 2007/11/05  
 APPR: JMACNEIL 2007/11/05

QUALITY SYMBOLS  
 ▽=0  
 ▽=0

GENERAL TOLERANCES (UNLESS SPECIFIED)

	mm	INCH
4 PLACES	± .005	± .0005
3 PLACES	± .010	± .0010
2 PLACES	± 0.13	± .01
1 PLACE	± 0.3	± .0125

ANGULAR ± 2 °

DRAFT WHERE APPLICABLE MUST REMAIN WITHIN DIMENSIONS

DIMENSION STYLE  
 MM/IN

DRAWN BY  
 C. YORK

DATE  
 2004/02/25

CHECKED BY  
 R. KEMP

DATE  
 2004/02/25

APPROVED BY  
 G. ROBERTSON

DATE  
 2004/02/26

MATERIAL NO.  
 SEE CHART

SCALE  
 2:1

DESIGN UNITS  
 INCH

THIRD ANGLE PROJECTION

TITLE  
 11.11MM/.438 SR BTS FT RIVETED QUICK CONN. ASSY

MOLEX INCORPORATED

DOCUMENT NO.  
 SD-38259-001

SHEET NO.  
 1 OF 1

THIS DRAWING CONTAINS INFORMATION THAT IS PROPRIETARY TO MOLEX INCORPORATED AND SHOULD NOT BE USED WITHOUT WRITTEN PERMISSION