

PLEASE CHECK WWW.MOLEX.COM FOR LATEST PART INFORMATION

Part Number: [47300-1042](#)
Status: **Active**
Overview: Slimline Serial ATA ODD Connectors
Description: 1.00mm, 1.27mm Pitch Slimline Serial ATA Plug for Optical Disk Drive with Fitting Type Soldering Nail, Right Angle, 0.76µm Gold (Au) Plating, with Pegs, Lead-Free

Documents:

[3D Model](#) [Product Specification PS-47300-001 \(PDF\)](#)
[Drawing \(PDF\)](#) [RoHS Certificate of Compliance \(PDF\)](#)

Agency Certification

CSA LR19980

General

Product Family PCB Headers
 Series [47300](#)
 Application Board-to-Board, Signal
 Comments Fitting Standard Type
 Overview [Slimline Serial ATA ODD Connectors](#)
 Product Name Serial ATA, Slimline Serial ATA
 UPC 800756824642

Physical

Breakaway No
 Circuits (Loaded) 13
 Circuits (maximum) 13
 Durability (mating cycles max) 500
 First Mate / Last Break Yes
 Flammability 94V-0
 Glow-Wire Compliant No
 Guide to Mating Part Yes
 Keying to Mating Part Yes
 Lock to Mating Part No
 Material - Plating Mating Gold
 Material - Plating Termination Tin
 Material - Resin High Temperature Thermoplastic
 Net Weight 1.056/g
 Number of Rows 1
 Orientation Right Angle
 PCB Locator Yes
 PCB Retention Yes
 Packaging Type Embossed Tape on Reel
 Pitch - Mating Interface 1.00mm, 1.27mm
 Pitch - Termination Interface 1.00mm, 1.27mm
 Plating min - Mating 0.762µm
 Plating min - Termination 1.016µm
 Polarized to Mating Part Yes
 Polarized to PCB Yes
 Stackable No
 Temperature Range - Operating -35°C to +85°C
 Termination Interface: Style Surface Mount

Electrical

Current - Maximum per Contact 1.5A
 Voltage - Maximum 15V DC

Solder Process Data

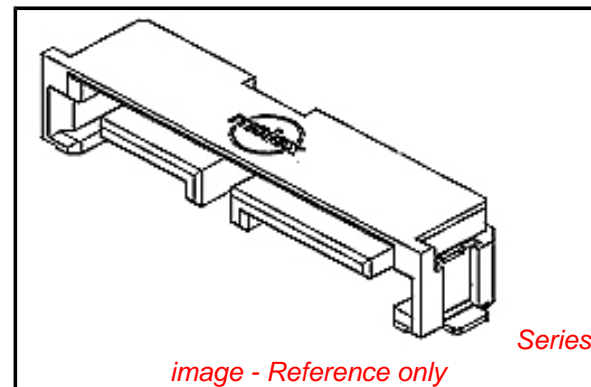


image - Reference only

EU RoHS

ELV and RoHS Compliant
REACH SVHC Contains SVHC: No
Low-Halogen Status Low-Halogen

China RoHS



Need more information on product environmental compliance?

Email productcompliance@molex.com
 For a multiple part number RoHS Certificate of Compliance, [click here](#)

Please visit the [Contact Us](#) section for any non-product compliance questions.

Search Parts in this Series

47300Series

Mates With

47628 , 47639 , 47645 , 47650 , 78380 , 48321 , 48325 , 48330 , 48336 , 47657
 Slimline Serial ATA Receptacles

Duration at Max. Process Temperature (seconds)	10
Lead-free Process Capability	Reflow Capable (SMT only)
Max. Cycles at Max. Process Temperature	1
Process Temperature max. C	260

Material Info

Reference - Drawing Numbers

Electrical Model Document	EE-48325-001
Product Specification	PS-47300-001
Sales Drawing	SD-47300-100

This document was generated on 10/25/2012

PLEASE CHECK WWW.MOLEX.COM FOR LATEST PART INFORMATION