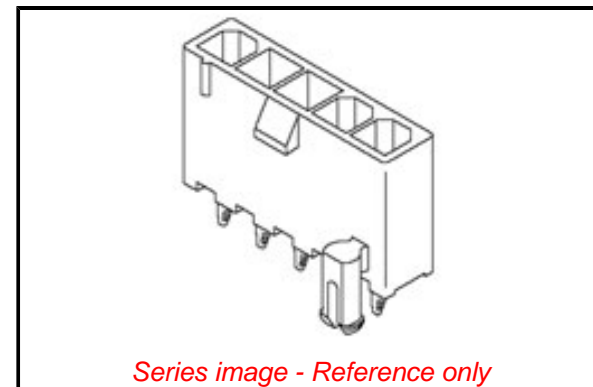


**PLEASE CHECK WWW.MOLEX.COM FOR LATEST PART INFORMATION**

**Part Number:** [0039302040](#)  
**Status:** **Active**  
**Overview:** Mini-Fit Jr. Power Connectors  
**Description:** Mini-Fit Jr. Vertical Header, 4.20mm Pitch, Single Row, 4 Circuits, with Snap-in Plastic Peg PCB Lock, Tin, Natural

**Documents:**

<a href="#">3D Model</a>	<a href="#">Application Specification AS-5557-001-001 (PDF)</a>
<a href="#">Drawing (PDF)</a>	<a href="#">Packaging Specification PK-5566-002-000 (PDF)</a>
<a href="#">Product Specification PS-5556-001-001 (PDF)</a>	<a href="#">RoHS Certificate of Compliance (PDF)</a>
<a href="#">Product Specification TS-5556-002-001 (PDF)</a>	



**Agency Certification**

CSA	LR19980
UL	E29179

**General**

Product Family	PCB Headers
Series	<a href="#">5566</a>
Application	Power, Wire-to-Board
Comments	The 5566 header should be used with standard Mini-Fit female terminals. If increased amperage of up to 13A per circuit is needed, please consider using the Mini-Fit Plus HCS family <a href="#">45750</a> terminals with <a href="#">46014</a> headers; . See Molex Product specification for current de-rating information.
Overview	<a href="#">Mini-Fit Jr. Power Connectors</a>
Product Name	Mini-Fit Jr.
UPC	822348041183

**Physical**

Breakaway	No
Circuits (Loaded)	4
Circuits (maximum)	4
Color - Resin	Natural
Durability (mating cycles max)	30
First Mate / Last Break	No
Flammability	94V-0
Glow-Wire Capable	No
Guide to Mating Part	No
Keying to Mating Part	None
Lock to Mating Part	Yes
Material - Metal	Brass
Material - Plating Mating	Tin
Material - Plating Termination	Tin
Material - Resin	Nylon
Net Weight	1.043/g
Number of Rows	1
Orientation	Vertical
PC Tail Length	3.50mm
PCB Locator	Yes
PCB Retention	Yes
PCB Thickness - Recommended	1.60mm
Packaging Type	Tray
Pitch - Mating Interface	4.20mm
Pitch - Termination Interface	4.20mm
Plating min - Mating	0.889µm

**EU ELV**

**Not Relevant**

**EU RoHS**

**Compliant**

**REACH SVHC**

Not Contained Per  
-ED/01/2018 (15  
January 2018)

**Halogen-Free**

**Status**

**Low-Halogen**

**Need more information on product environmental compliance?**

Email [productcompliance@molex.com](mailto:productcompliance@molex.com)  
Please visit the [Contact Us](#) section for any non-product compliance questions.

China ROHS	Green Image
ELV	Not Relevant
RoHS Phthalates	Not Contained

**Search Parts in this Series**

[5566 Series](#)

**Mates With**

Mini-Fit Jr. Receptacle Housing [5557](#)  
<br>Mini-Fit Jr. TPA Cable Assembly [45135](#)

Plating min - Termination	0.889µm
Polarized to Mating Part	Yes
Polarized to PCB	Yes
Shrouded	Fully
Stackable	No
Surface Mount Compatible (SMC)	No
Temperature Range - Operating	-40°C to +105°C
Termination Interface: Style	Through Hole

**Electrical**

Current - Maximum per Contact	9.0A
Voltage - Maximum	600V

**Solder Process Data**

Duration at Max. Process Temperature (seconds)	005
Lead-free Process Capability	WAVE
Max. Cycles at Max. Process Temperature	001
Process Temperature max. C	240

**Material Info**

Engineering Number	5566-04A3-210
--------------------	---------------

**Reference - Drawing Numbers**

Application Specification	AS-5557-001-001
Packaging Specification	PK-5566-002-000
Product Specification	PS-5556-001-001, RPS-5556-004-001, TS-5556-002-001
Sales Drawing	SDA-5566-NL*

This document was generated on 07/12/2018

**PLEASE CHECK [WWW.MOLEX.COM](http://WWW.MOLEX.COM) FOR LATEST PART INFORMATION**