

**PLEASE CHECK WWW.MOLEX.COM FOR LATEST PART INFORMATION**

**Part Number:** [0365380018](#)  
**Status:** **Active**  
**Overview:** [MLX Power Connectors](#)  
**Description:** 6.35mm Pitch MLX Power Connector Header, Vertical, with Compliant Polarizing Peg, 15 Circuits, Nylon 94V-2, White (Translucent) Housing

**Documents:**

<a href="#">3D Model</a>	<a href="#">Packaging Specification PK-43255-001-001 (PDF)</a>
<a href="#">Drawing (PDF)</a>	<a href="#">Packaging Specification PK-43255-003-001 (PDF)</a>
<a href="#">Product Specification PSX-42002-0001-001 (PDF)</a>	<a href="#">RoHS Certificate of Compliance (PDF)</a>

**General**

Product Family	PCB Headers
Series	<a href="#">36538</a>
Application	Power, Wire-to-Board
Overview	<a href="#">MLX Power Connectors</a>
Product Name	MLX
UPC	756054324806

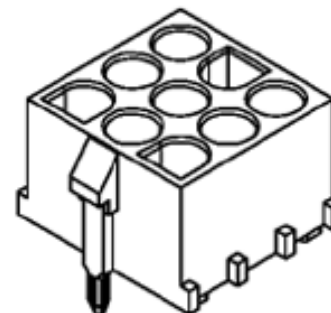
**Physical**

Breakaway	No
Circuits (Loaded)	15
Circuits (maximum)	15
Circuits Detail	With Compliant Polarizing Peg
Color - Resin	White (Cloud)
Durability (mating cycles max)	50
First Mate / Last Break	No
Glow-Wire Capable	No
Guide to Mating Part	No
Keying to Mating Part	None
Lock to Mating Part	Yes
Material - Metal	Phosphor Bronze
Material - Plating Mating	Tin-Lead
Material - Resin	Polyester
Number of Rows	5
Orientation	Vertical
PC Tail Length	4.30mm
PCB Locator	Yes
PCB Retention	Yes
PCB Thickness - Recommended	1.57mm
Packaging Type	Bag
Pitch - Mating Interface	6.35mm
Pitch - Termination Interface	6.35mm
Plating min - Mating	0.508µm
Polarized to Mating Part	Yes
Polarized to PCB	Yes
Shrouded	Fully
Stackable	No
Surface Mount Compatible (SMC)	No
Temperature Range - Operating	-55°C to +105°C
Termination Interface: Style	Through Hole

**Electrical**

Current - Maximum per Contact	9.0A
Voltage - Maximum	600V

**Material Info**



*Series image - Reference only*

**EU ELV**

**Not Reviewed**

**EU RoHS**

**Not Reviewed**

**REACH SVHC**

Not Reviewed

**Halogen-Free**

**Status**

**Not Reviewed**

**Need more information on product environmental compliance?**

Email [productcompliance@molex.com](mailto:productcompliance@molex.com)  
Please visit the [Contact Us](#) section for any non-product compliance questions.

China ROHS	Not Reviewed
ELV	Not Reviewed
RoHS Phthalates	Not Reviewed

**Search Parts in this Series**

[36538 Series](#)

**Reference - Drawing Numbers**

Packaging Specification

Product Specification

Sales Drawing

PK-43255-001-001, PK-43255-003-001

PSX-42002-0001-001

SD-36538-001

This document was generated on 07/12/2018

**PLEASE CHECK [WWW.MOLEX.COM](http://WWW.MOLEX.COM) FOR LATEST PART INFORMATION**