

**PLEASE CHECK WWW.MOLEX.COM FOR LATEST PART INFORMATION**

**Part Number:** **0438600009**  
**Status:** **Active**  
**Overview:** Magnetic and Modular Jacks and Plugs  
**Description:** Modular Jack, Right Angle, Low Profile, Inverted, Lightpipes, 6/4

**Documents:**

<a href="#">3D Model</a>	<a href="#">Application Specification AS-43860-001-001 (PDF)</a>
<a href="#">Drawing (PDF)</a>	<a href="#">Packaging Specification PK-43860-004 (PDF)</a>
<a href="#">Product Specification PS-43860-003 (PDF)</a>	<a href="#">RoHS Certificate of Compliance (PDF)</a>
<a href="#">Product Specification TS-43860-001-001 (PDF)</a>	

**Agency Certification**

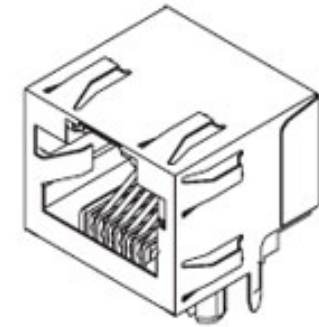
CSA	LR19980
UL	E107635

**General**

Product Family	Modular Jacks/Plugs
Series	<a href="#">43860</a>
Component Type	PCB Jack
Magnetic	No
Overview	<a href="#">Magnetic and Modular Jacks and Plugs</a>
Performance Category	3
Power over Ethernet (PoE)	N/A
Product Name	Modular Jack 6/4
UPC	800753929753

**Physical**

Boot Color	N/A
Color - Resin	Black, Clear
Durability (mating cycles max)	500
Flammability	94V-0
Inverted / Top Latch	Yes
Jack Height	13.21mm
Lightpipes/LEDs	Lightpipes
Material - Metal	Phosphor Bronze
Material - Plating Mating	Gold
Material - Plating Termination	Tin
Material - Resin	High Temperature Thermoplastic, Polycarbonate
Net Weight	2.697/g
Orientation	Right Angle (Side Entry)
PCB Locator	Yes
PCB Retention	Yes
PCB Thickness - Recommended	1.60mm
Packaging Type	Tube
Panel Mount	With Flange
Pitch - Mating Interface	1.02mm
Pitch - Termination Interface	1.02mm
Plating min - Mating	1.270µm
Plating min - Termination	2.540µm
Ports	1
Positions / Loaded Contacts	6/4
Surface Mount Compatible (SMC)	No
Temperature Range - Operating	-40°C to +85°C
Termination Interface: Style	Through Hole
Waterproof / Dustproof	No
Wire/Cable Type	N/A



*Series image - Reference only*

**EU ELV**

**Not Relevant**

**EU RoHS**

**Compliant**

**REACH SVHC**

Not Contained Per  
-ED/01/2018 (15  
January 2018)

**Halogen-Free**

**Status**

**Not Low-Halogen**

**Need more information on product environmental compliance?**

Email [productcompliance@molex.com](mailto:productcompliance@molex.com)  
Please visit the [Contact Us](#) section for any non-product compliance questions.

China ROHS

ELV

RoHS Phthalates

Green Image

Not Relevant

Not Contained

**Search Parts in this Series**

[43860 Series](#)

**Mates With**

FCC 68 Plugs

**Electrical**

Current - Maximum per Contact	1.5A
Grounding to PCB	No
Shielded	No
Voltage - Maximum	150V AC (RMS)

**Solder Process Data**

Lead-free Process Capability	WAVE
------------------------------	------

**Material Info****Reference - Drawing Numbers**

Application Specification	AS-43860-001-001
Packaging Specification	PK-43860-004
Product Specification	PS-43860-003, TS-43860-001-001

This document was generated on 07/12/2018

**PLEASE CHECK [WWW.MOLEX.COM](http://WWW.MOLEX.COM) FOR LATEST PART INFORMATION**