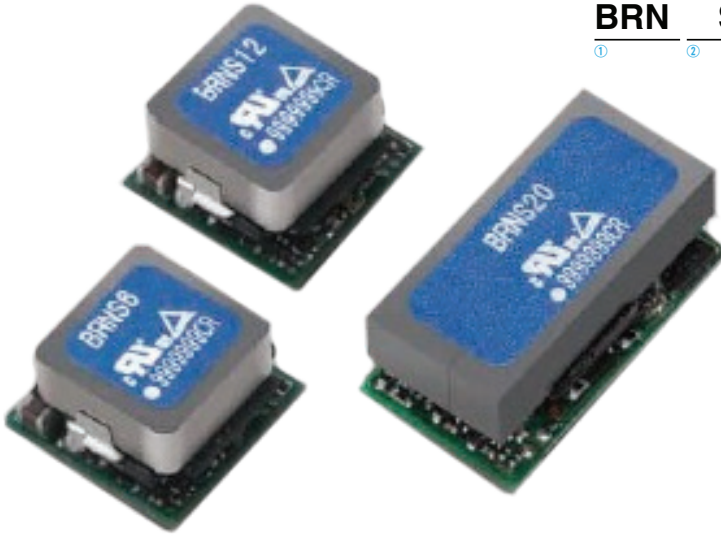


Ordering information
BRN S 20 -

① ② ③ ④

- ① Series name
- ② Single output
- ③ Output current
6: 6A
12: 12A
20: 20A
- ④ Optional
R: Positive logic remote on/off
I: No clock output for frequency synchronization
Y: Suitable control for external capacitor over 470 μF



MODEL	BRNS6	BRNS12	BRNS20
MAX OUTPUT CURRENT[A]	6.0	12.0	20.0
DC OUTPUT	0.6 - 5.5		

SPECIFICATIONS

	MODEL	BRNS6	BRNS12	BRNS20
INPUT	VOLTAGE[V]	DC3.0 - 14.4		
	CURRENT[A]	*1 0.70 typ	1.40 typ	2.30 typ
	EFFICIENCY[%]	*1 86 typ	86 typ	87 typ
OUTPUT	VOLTAGE[V]	*2 0.6 - 5.5	0.6 - 5.5	0.6 - 5.5
	CURRENT[A]	6	12	20
	LINE REGULATION1[mV] Vo ≤ 1.8V	10		
	LINE REGULATION2[%Vo] Vo > 1.8V	0.5		
	LOAD REGULATION1[mV] Vo ≤ 1.8V	10		
	LOAD REGULATION2[%Vo] Vo > 1.8V	0.5		
	OUTPUT VOLTAGE SETTING [%Vo]	±1.0		
	RIPPLE[mVp-p]	*3 25		
	RIPPLE NOISE[mVp-p]	*3 50		
	DRIFT[%Vo]	*4 ±0.5		
	START-UP TIME[ms]	4.5 typ		
OUTPUT VOLTAGE ADJUSTMENT RANGE [V]		Adjustable by external resistor		
		0.6 - 5.5		
PROTECTION CIRCUIT AND OTHERS	OVERCURRENT PROTECTION	Works over 105% of rating (auto recovery type)		
	REMOTE SENSING	Available (+S only)		Available
	REMOTE ON/OFF	Available Negative logic L:ON, H:OFF		
ISOLATION	INPUT-OUTPUT	non-isolated		
ENVIRONMENT	OPERATING TEMP., HUMID. AND ALTITUDE	-40 to +85°C, 20-95%RH (Non condensing) (Refer to DERATING CURVE) 3,000m (10,000feet) max		
	STORAGE TEMP., HUMID. AND ALTITUDE	-40 to +100°C, 20-95%RH (Non condensing), 9,000m (30,000feet) max		
	VIBRATION	10-55Hz, 49.0m/s ² (5G), 3minutes period, 60minutes each along X, Y and Z axis		
SAFETY	IMPACT	196.1m/s ² (20G), 11ms, once each along X, Y and Z axis		
	AGENCY APPROVALS	UL60950-1, C-UL(CSA60950-1), EN60950		
OTHERS	CASE SIZE/WEIGHT	12.2×7.2×12.2mm [0.48×0.28×0.48 inches] (W×H×D) / 4g max	20.3×8.5×11.4mm [0.80×0.35×0.45 inches] (W×H×D) / 6g max	
	COOLING METHOD	Convection / Forced air		

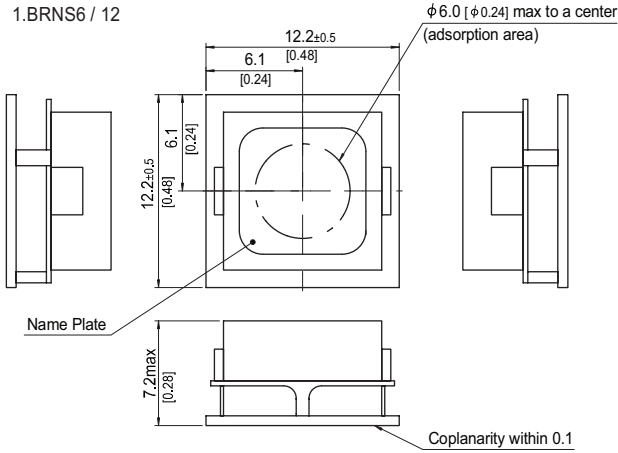
- *1 At rated input (DC12V) and rated output (1.2V) Ta=25°C.
- *2 Output voltage is adjusted to the minimum when TRM is open.
- *3 Ripple and ripple noise is measured by using measuring board with ceramic capacitor at 25mm from output pin.
At rated input (DC12V) and rated output (1.2V).
- *4 Drift is the change in DC output for an eight hour period after a half - hour warm - up at 25°C, with the input voltage held.
- *5 Output voltage setting is added line regulation and load regulation and temperature regulation used resistance of the 0.5% tolerance.

Specifications are subject to change without notice. It is responsibility of each customer to thoroughly test each product and part number under their unique parameters and environments to ensure a product will work properly and reliably.

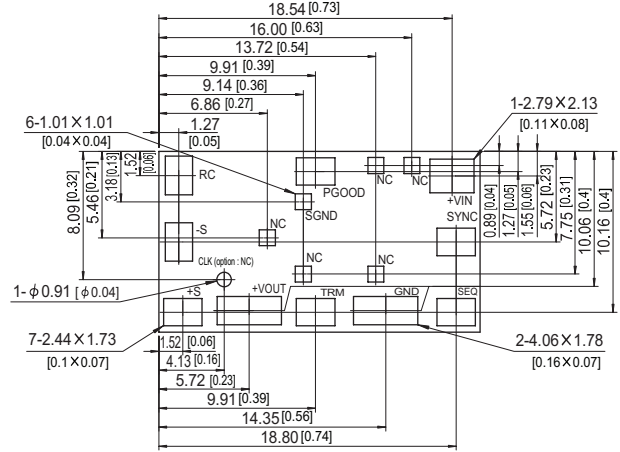
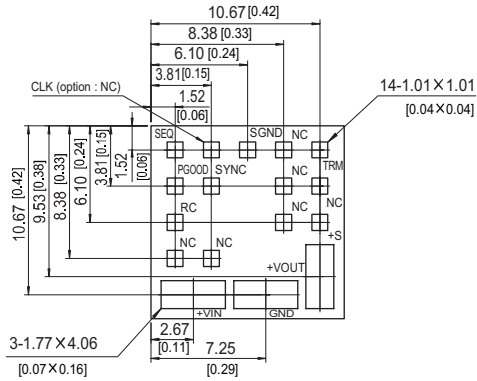
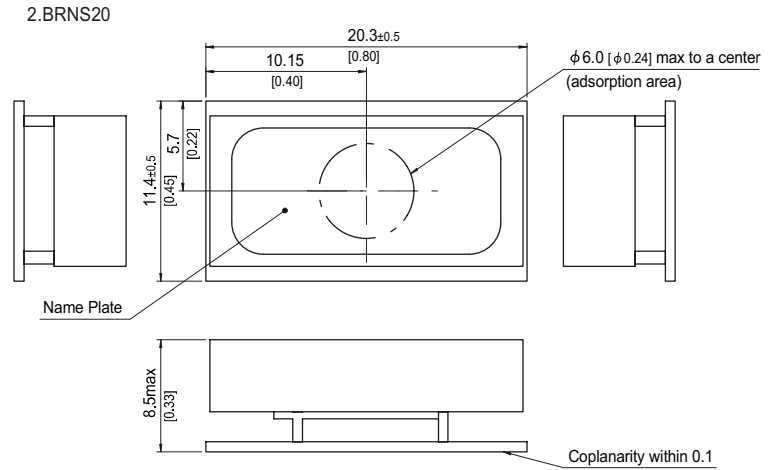
Click below for more details, to buy on-line or request volume pricing:

<http://power.sager.com/cosel-brns20-dc-dc-converter.html>
(866) 588-1750
 power@sager.com
<http://power.sager.com>

1. BRNS6 / 12



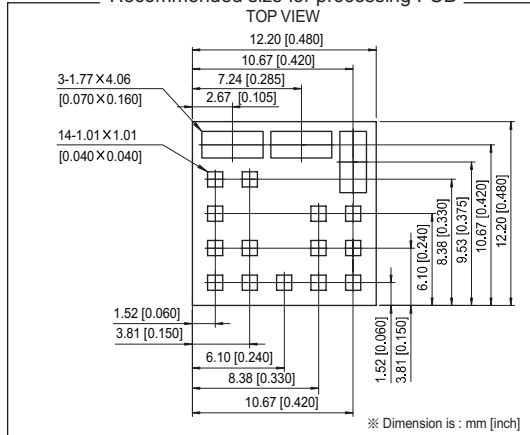
2. BRNS20



- ※ Tolerance : ±0.3
- ※ Dimensions in mm, []=inches
- ※ Weight : 4.0g max
- ※ Terminal material : PCB pattern
- ※ Plating treatment of terminal : Gold flashing

- ※ Tolerance : ±0.3
- ※ Dimensions in mm, []=inches
- ※ Weight : 6.0g max
- ※ Terminal material : PCB pattern
- ※ Plating treatment of terminal : Gold flashing

Recommended size for processing PCB



Recommended size for processing PCB

