

**PLEASE CHECK WWW.MOLEX.COM FOR LATEST PART INFORMATION**

**Part Number:** [0512961494](#)  
**Status:** **Active**  
**Overview:** FFC-FPC (SMT)  
**Description:** 0.50mm Pitch Easy-On FFC/FPC Connector, 1.30mm Height, Right-Angle, Surface Mount, ZIF, Bottom Contact Style, 14 Circuits, Gold (Au) Contact Plating

**Documents:**

[3D Model](#) [Packaging Specification SPK-51296-007-001 \(PDF\)](#)  
[Drawing \(PDF\)](#) [RoHS Certificate of Compliance \(PDF\)](#)  
[Product Specification PS-51296-003-001 \(PDF\)](#)

**Agency Certification**

UL E29179

**General**

Product Family FFC/FPC Connectors  
 Series 51296  
 Overview FFC-FPC (SMT)  
 Product Name Easy-On  
 UPC 822348727605

**Physical**

Actuator Type Flip  
 Circuits (Loaded) 14  
 Color - Resin Beige, Black  
 Contact Position Bottom  
 Durability (mating cycles max) 20  
 Mated Height 1.30mm  
 Material - Metal Phosphor Bronze  
 Material - Plating Mating Gold  
 Material - Plating Termination Gold  
 Net Weight 85.000/mg  
 Number of Rows 1  
 Orientation Right Angle  
 PCB Locator No  
 PCB Mounting Surface Mount  
 PCB Retention Yes  
 Packaging Type Embossed Tape on Reel  
 Pitch - Mating Interface 0.50mm  
 Polarized to PCB Yes  
 Stackable No  
 Temperature Range - Operating -40°C to +85°C  
 Wire/Cable Type FFC/FPC

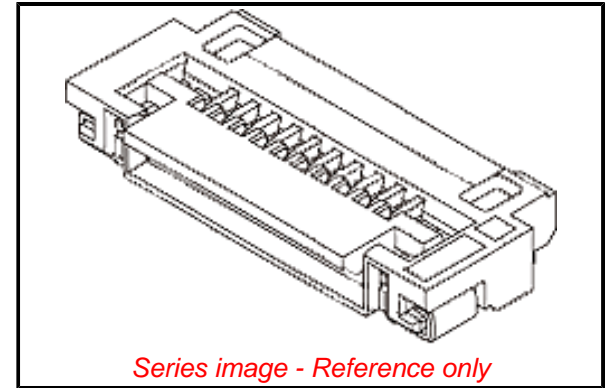
**Electrical**

Current - Maximum per Contact 0.5A  
 Voltage - Maximum 50V AC (RMS)/DC

**Material Info**

**Reference - Drawing Numbers**

Packaging Specification SPK-51296-007-001  
 Product Specification PS-51296-003-001  
 Sales Drawing SD-51296-011, SD-51296-012



Series image - Reference only

**EU ELV**

**Not Relevant**

**EU RoHS**

**Compliant**

**REACH SVHC**

Not Contained Per  
 -ED/01/2018 (15  
 January 2018)

**Halogen-Free**

**Status**

**Not Low-Halogen**

**Need more information on product environmental compliance?**

Email [productcompliance@molex.com](mailto:productcompliance@molex.com)  
 Please visit the [Contact Us](#) section for any non-product compliance questions.

China ROHS

ELV

RoHS Phthalates

Green Image

Not Relevant

Not Contained

**Search Parts in this Series**

51296 Series

**PLEASE CHECK [WWW.MOLEX.COM](http://WWW.MOLEX.COM) FOR LATEST PART INFORMATION**