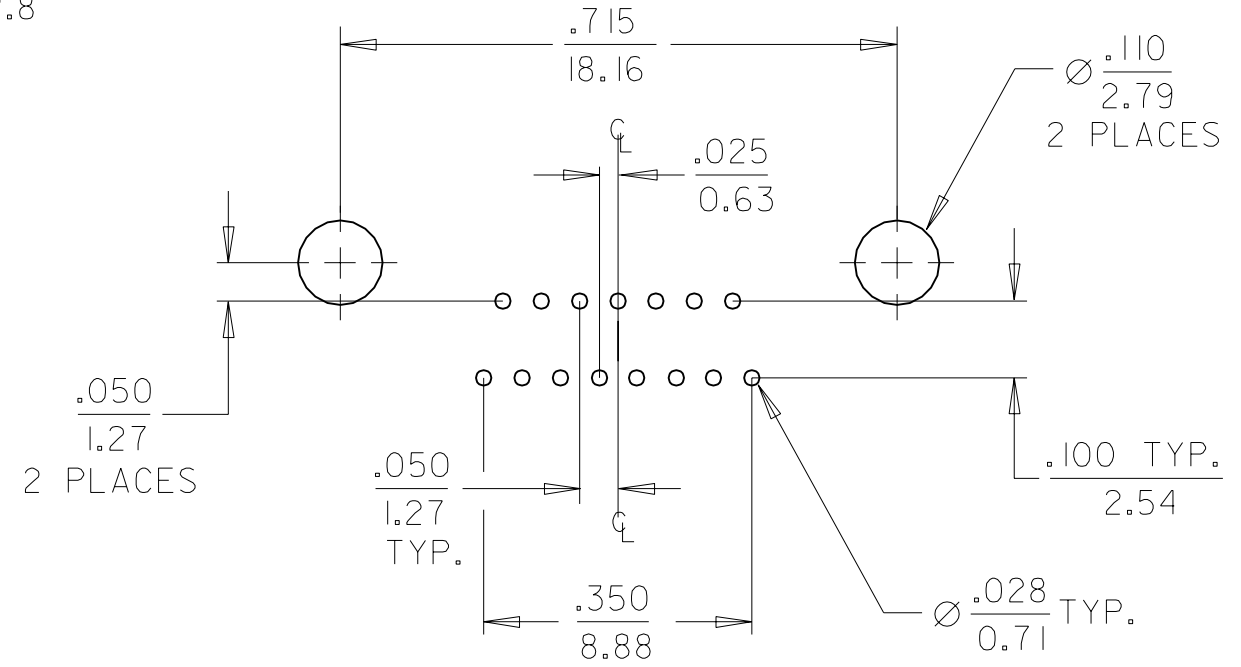
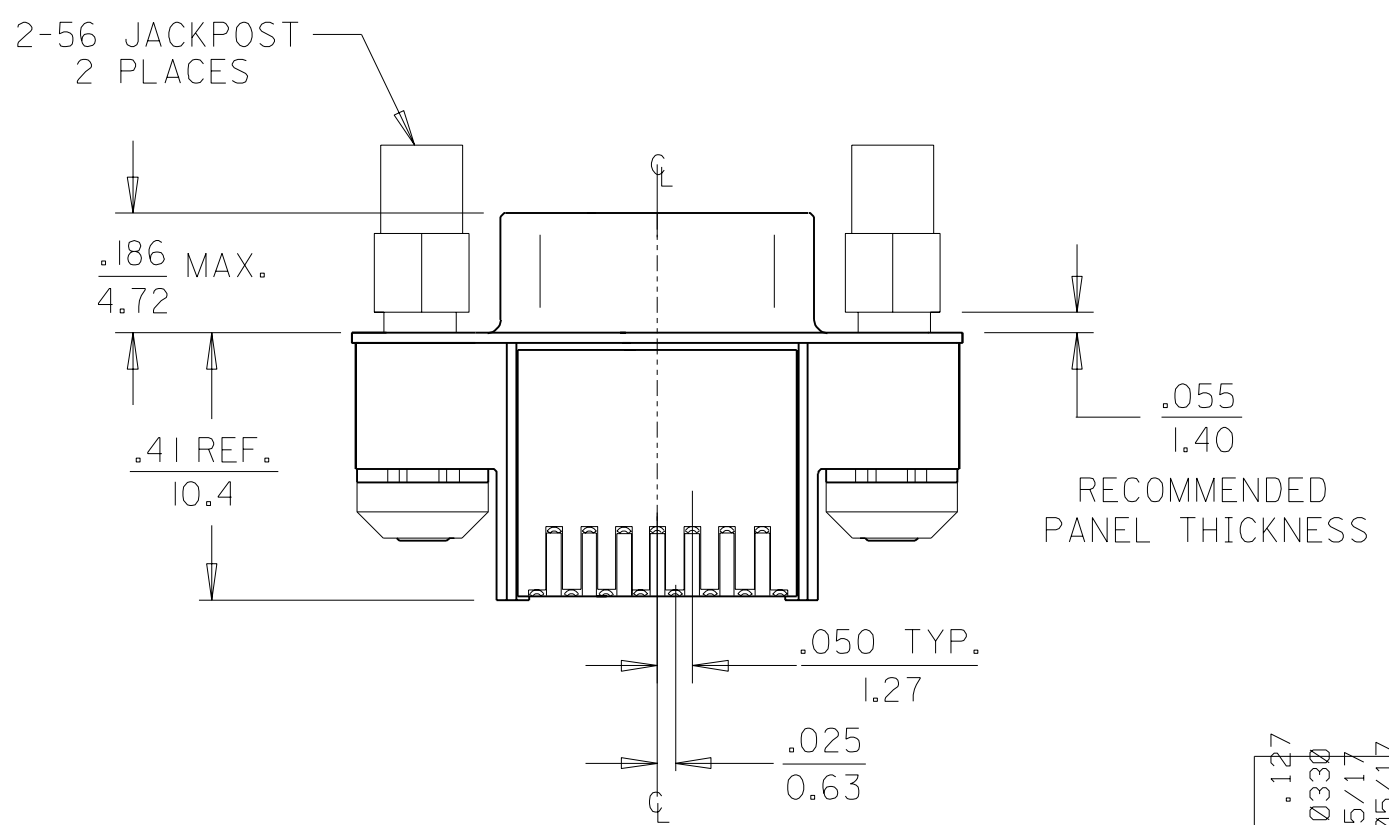
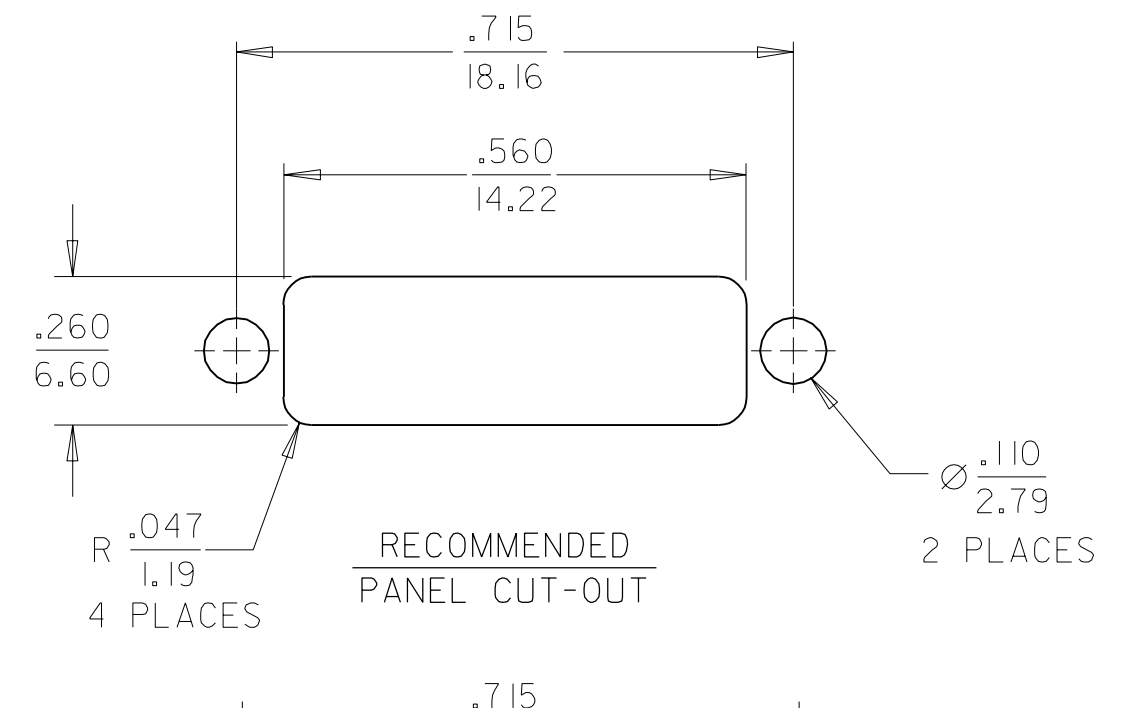
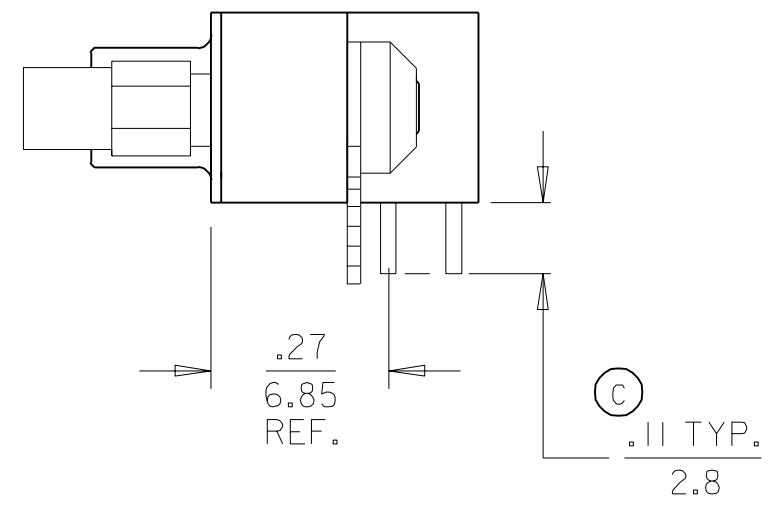
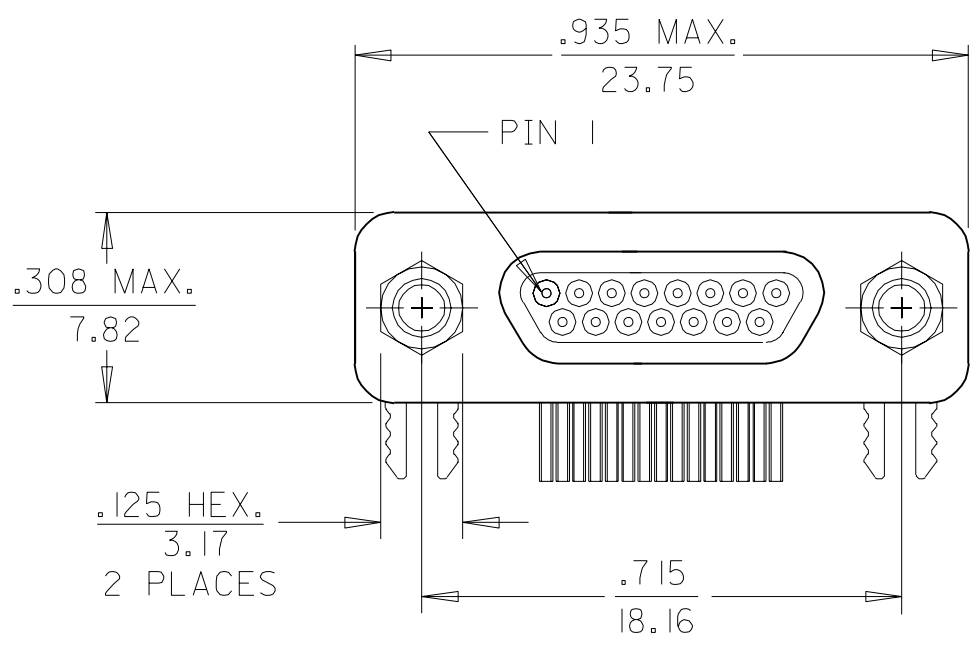


MATERIAL NO.	ENG. NO.
836129026	83612-9026

SD-83612-003



SALES DRAWING

2. MARKING: NONE.
 1. REFER TO PS-83421-9000 FOR PRODUCT SPECIFICATION.
 NOTES: UNLESS OTHERWISE SPECIFIED.

DIM .11 WAS .127
 EC NO. ETC2002-0330
 DRWN: DLM 02/05/17
 CHK: JL 02/05/17
 APPR: RWD 02/05/17

QUALITY SYMBOLS	DESCRIPTION
MAJOR =Ø	
CRITICAL =Ø	

GENERAL TOLERANCES: (UNLESS SPECIFIED)		
	mm	INCH
4 PLACES	±0.-----	±.-----
3 PLACES	±0.- - -	±.010
2 PLACES	±0.26	±.020
1 PLACE	±0.50	±. - - -
ANGULAR: ± 1°		
DRAFT WHERE APPLICABLE MUST REMAIN WITHIN DIMENSIONS		

SCALE NTS	DESIGN UNITS <input type="checkbox"/> mm <input checked="" type="checkbox"/> INCH
DRAWN BY & DATE DLM 02/05/17	
CHECKED BY & DATE JL 02/05/17	
APPROVED BY & DATE RWD 02/05/17	
CAD FILENAME SD83612003.DGN	MATERIAL NO. (SEE CHART)

DIMENSIONS: <input type="checkbox"/> mm <input checked="" type="checkbox"/> INCH <input type="checkbox"/> mm ONLY		SHT	REV
THIRD ANGLE PROJECTION			
TITLE: CONNECTOR, COMMERCIAL-D, RT ANG, SIZE 15, JACKPOST C 50 MICROINCHES GOLD			
MOLEX INCORPORATED			
DRAWING NO. SD-83612-003	SHEET NO. 1 OF 1	SIZE B	