

**PLEASE CHECK WWW.MOLEX.COM FOR LATEST PART INFORMATION**

**Part Number:** [0716264000](#)  
**Status:** **Active**  
**Overview:** LFH™ Interconnect System  
**Description:** 1.27mm Pitch LFH™ Matrix 50 Receptacle, Shielded, 160 Circuits, Right Angle

**Documents:**

[3D Model](#) [Product Specification PS-71626 \(PDF\)](#)  
[Drawing \(PDF\)](#) [RoHS Certificate of Compliance \(PDF\)](#)

**Agency Certification**

CSA LR19980  
 UL E29179

**General**

Product Family I/O Connectors  
 Series [71626](#)  
 Application Board-to-Board, Wire-to-Board  
 Component Type Receptacle  
 Overview [LFH™ Interconnect System](#)  
 Product Name LFH™  
 Type N/A  
 UPC 800754351287

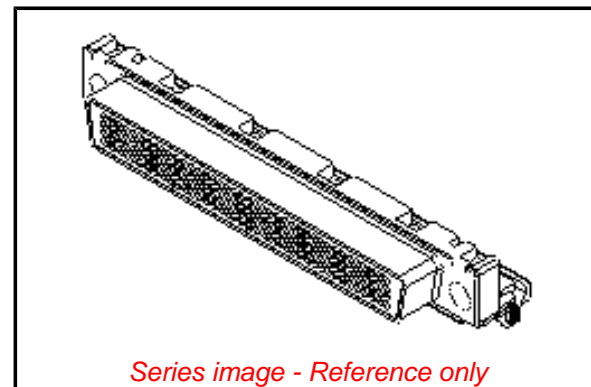
**Physical**

Circuits (Loaded) 160  
 Circuits (maximum) 160  
 Color - Resin Black  
 Flammability 94V-0  
 Keying to Mating Part None  
 Lock to Mating Part Yes  
 Material - Metal Beryllium Copper  
 Material - Plating Mating Gold  
 Material - Plating Termination Tin  
 Material - Resin High Temperature Thermoplastic  
 Net Weight 18.900/g  
 Orientation Right Angle  
 PC Tail Length 2.40mm  
 PCB Retention Yes  
 PCB Thickness - Recommended 2.40mm  
 Packaging Type Tube  
 Panel Mount Yes  
 Pitch - Mating Interface 1.27mm  
 Pitch - Termination Interface 1.27mm  
 Plating min - Mating 0.762µm  
 Plating min - Termination 2.540µm  
 Polarized to Mating Part Yes  
 Surface Mount Compatible (SMC) Yes  
 Temperature Range - Operating -20°C to +80°C  
 Termination Interface: Style Through Hole  
 Wire Size AWG N/A

**Electrical**

Current - Maximum per Contact 1.0A  
 Grounding to Panel Yes  
 Shielded Yes  
 Voltage - Maximum 40V

**Solder Process Data**



*Series image - Reference only*

**EU ELV**

**Not Relevant**

**EU RoHS**

**Compliant/Exempted**

**REACH SVHC**

Not Contained Per -  
 ED/21/2016 (20 June  
 2016)

**Halogen-Free**

**Status**

**Low-Halogen**

**Need more information on product  
 environmental compliance?**

Email [productcompliance@molex.com](mailto:productcompliance@molex.com)  
 Please visit the [Contact Us](#) section for any  
 non-product compliance questions.

China ROHS

50 Image

ELV

Not Relevant

**Search Parts in this Series**

[71626 Series](#)

**Mates With**

[71624 LFH™ Plug](#)

**Use With**

[71628](#) Guide Pin. [70982](#) Hex Screw Kit.  
[71629-4000](#) Guide Sleeve Included

Lead-free Process Capability  
Process Temperature max. C

SMC&WAVE  
260

**Material Info**

**Reference - Drawing Numbers**

Product Specification  
Sales Drawing

PS-71626  
SDA-71626-400\*

This document was generated on 09/30/2016

**PLEASE CHECK [WWW.MOLEX.COM](http://WWW.MOLEX.COM) FOR LATEST PART INFORMATION**