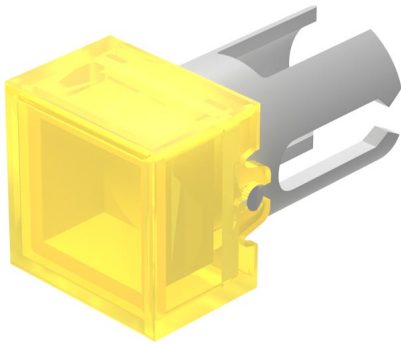


### 19-951.4 - Lens



*Attention: The preview is based on a sample product. This can differ from your current configuration.*

#### Mounting

Design raised

#### Other Attributes

Weight 0,001 kg  
Dimension 7.3 x 7.3 mm  
Lens holder optical effect translucent

#### Operating-/Indication part

Lens optics transparent  
Lens material Plastic  
Lens profile flat  
Lens colour yellow  
Lens illumination illuminative