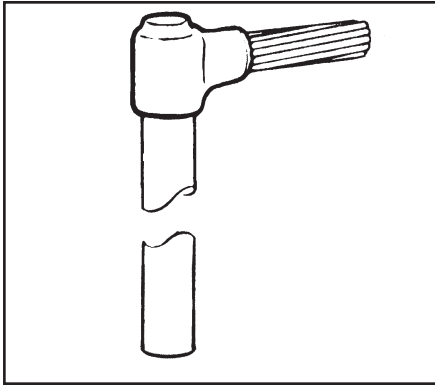
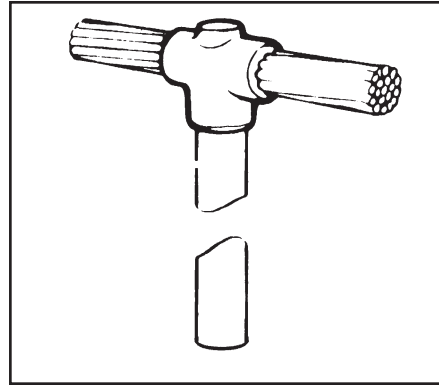


Furseweld[®]

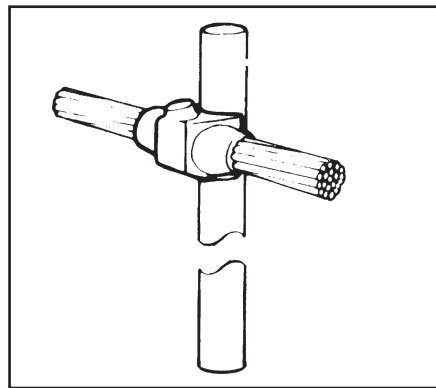
Cable to Ground Rod - Pictorial Index



CR1 Pages G17-G18



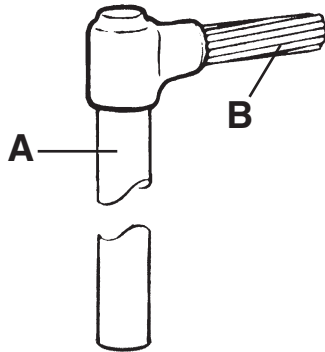
CR2 Pages G19-G20



CR3 Page G20

Furseweld®

Cable to Ground Rod



- Stranded Conductor
- Solid Circular Conductor

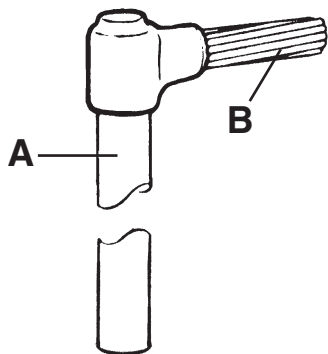
CR1

Cat. No.	Rod Size (A)	Wire Size (B)	Welding Powder Size	Handle Clamp Type	Sleeve	Std. Ctn.
CR1-3-500#6	½" Nominal Diameter	6	65RTB	HCPK3	SLEEVE#6	1
CR1-3-500#6S	Actual Shank Dia. 0.476"	6 solid	65RTB	HCPK3	SLEEVE#6S	1
CR1-3-500#4	(Non UL Rod)	4	65RTB	HCPK3	-	1
CR1-3-500#4S		4 solid	45RTB	HCPK3	-	1
CR1-3-500#2		2	65RTB	HCPK3	-	1
CR1-3-500#2S		2 solid	65RTB	HCPK3	-	1
CR1-4-500#1		1	65RTB	HCPK4	-	1
CR1-4-5001/0		1/0	90RTB	HCPK4	-	1
CR1-4-5001/0S		1/0 solid	90RTB	HCPK4	-	1
CR1-4-5002/0		2/0	90RTB	HCPK4	-	1
CR1-4-5003/0		3/0	90RTB	HCPK4	-	1
CR1-4-5004/0		4/0	90RTB	HCPK4	-	1
CR1-4-500250K		250	90RTB	HCPK4	-	1
CR1-4-500300K		300	90RTB	HCPK4	-	1
CR1-3-500L#6	½" True Diameter	6	45RTB	HCPK3	1 X SLEEVE#6	1
CR1-3-500L#6S	Actual Shank Dia. 0.502"	6 solid	45RTB	HCPK3	1 X SLEEVE#6S	1
CR1-3-500L#4	(UL Rod)	4	45RTB	HCPK3	-	1
CR1-3-500L#4S		4 solid	45RTB	HCPK3	-	1
CR1-3-500L#2		2	65RTB	HCPK3	-	1
CR1-3-500L#2S		2 solid	65RTB	HCPK3	-	1
CR1-4-500L#1		1	65RTB	HCPK4	-	1
CR1-4-500L1/0		1/0	90RTB	HCPK4	-	1
CR1-4-500L1/0S		1/0 solid	90RTB	HCPK4	-	1
CR1-4-500L2/0		2/0	90RTB	HCPK4	-	1
CR1-4-500L3/0		3/0	90RTB	HCPK4	-	1
CR1-4-500L4/0		4/0	90RTB	HCPK4	-	1
CR1-4-500L250K		250	90RTB	HCPK4	-	1
CR1-4-500L300K		300	90RTB	HCPK4	-	1
CR1-3-625#6	⅝" Nominal Diameter	6	65RTB	HCPK3	1 X SLEEVE#6	1
CR1-3-625#6S	Actual Shank Dia. 0.560"	6 solid	65RTB	HCPK3	1 X SLEEVE#6S	1
CR1-3-625#4		4	65RTB	HCPK3	-	1
CR1-3-625#4S		4 solid	65RTB	HCPK3	-	1
CR1-4-625#2		2	65RTB	HCPK4	-	1
CR1-4-625#2S		2 solid	65RTB	HCPK4	-	1
CR1-4-625#1		1	65RTB	HCPK4	-	1
CR1-4-6251/0		1/0	90RTB	HCPK4	-	1
CR1-4-6251/0S		1/0 solid	90RTB	HCPK4	-	1
CR1-4-6252/0		2/0	90RTB	HCPK4	-	1
CR1-4-6253/0		3/0	90RTB	HCPK4	-	1
CR1-4-6254/0		4/0	90RTB	HCPK4	-	1
CR1-4-625250K		250	90RTB	HCPK4	-	1
CR1-4-625300K		300	115RTB	HCPK4	-	1
CR1-4-625350K		350	115RTB	HCPK4	-	1
CR1-4-625500K		500	150RTB	HCPK4	-	1

For Connections to Extensible (Threaded) Rods - Remove Top Threaded Section

Furseweld®

Cable to Ground Rod



- Stranded Conductor
- Solid Circular Conductor

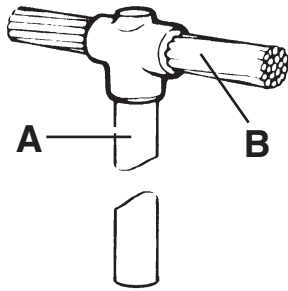
CR1- Continued

Cat. No.	Rod Size (A)	Wire Size (B)	Welding Powder Size	Handle Clamp Type	Sleeve	Std. Ctn.
CR1-3-750#6	3/4" Nominal Diameter	6	32RTB	HCPK3	1 X SLEEVE#6	1
CR1-3-750#6S	Actual Shank Dia. 0.678"	6 solid	32RTB	HCPK3	1 X SLEEVE#6S	1
CR1-3-750#4		4	45RTB	HCPK3	-	1
CR1-3-750#4S		4 solid	45RTB	HCPK3	-	1
CR1-4-750#2		2	90RTB	HCPK4	-	1
CR1-4-750#2S		2 solid	90RTB	HCPK4	-	1
CR1-4-750#1		1	90RTB	HCPK4	-	1
CR1-4-7501/0		1/0	90RTB	HCPK4	-	1
CR1-4-7501/0S		1/0 solid	90RTB	HCPK4	-	1
CR1-4-7502/0		2/0	90RTB	HCPK4	-	1
CR1-4-7503/0		3/0	90RTB	HCPK4	-	1
CR1-4-7504/0		4/0	90RTB	HCPK4	-	1
CR1-4-750250K		250	90RTB	HCPK4	-	1
CR1-4-750300K		300	115RTB	HCPK4	-	1
CR1-4-750350K		350	115RTB	HCPK4	-	1
CR1-4-750500K		500	150RTB	HCPK4	-	1

For Connections to Extensible (Threaded) Rods - Remove Top Threaded Section

Furseweld®

Cable to Ground Rod



- Stranded Conductor
- Solid Circular Conductor

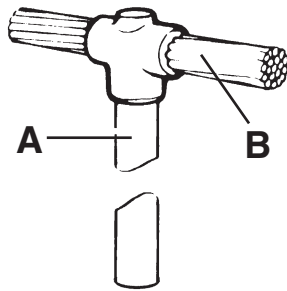
CR2

Cat. No.	Rod Size (A)	Wire Size (B)	Welding Powder Size	Handle Clamp Type	Sleeve	Std. Ctn.
CR2-3-500#6	½" Nominal Diameter	6	65RTB	HCPK3	SLEEVE#6	1
CR2-3-500#6S	Actual Shank Dia. 0.476"	6 solid	65RTB	HCPK3	SLEEVE#6S	1
CR2-3-500#4	(Non UL Rod)	4	65RTB	HCPK3	-	1
CR2-3-500#4S		4 solid	65RTB	HCPK3	-	1
CR2-4-500#2		2	90RTB	HCPK3	-	1
CR2-4-500#2S		2 solid	90RTB	HCPK3	-	1
CR2-4-500#1		1	90RTB	HCPK4	-	1
CR2-4-5001/0		1/0	90RTB	HCPK4	-	1
CR2-4-5001/0S		1/0 solid	90RTB	HCPK4	-	1
CR2-4-5002/0		2/0	90RTB	HCPK4	-	1
CR2-4-5003/0		3/0	115RTB	HCPK4	-	1
CR2-4-5004/0		4/0	115RTB	HCPK4	-	1
CR2-4-500250K		250	150RTB	HCPK4	-	1
CR2-4-500300K		300	200RTB	HCPK4	-	1
CR2-3-500L#6	½" True Diameter	6	65RTB	HCPK3	SLEEVE#6	1
CR2-3-500L#6S	Actual Shank Dia. 0.502"	6 solid	65RTB	HCPK3	SLEEVE#6S	1
CR2-3-500L#4	(UL Rod)	4	65RTB	HCPK3	-	1
CR2-3-500L#4S		4 solid	65RTB	HCPK3	-	1
CR2-4-500L#2		2	90RTB	HCPK3	-	1
CR2-4-500L#2S		2 solid	90RTB	HCPK3	-	1
CR2-4-500L#1		1	90RTB	HCPK4	-	1
CR2-4-500L1/0		1/0	90RTB	HCPK4	-	1
CR2-4-500L1/0S		1/0 solid	90RTB	HCPK4	-	1
CR2-4-500L2/0		2/0	90RTB	HCPK4	-	1
CR2-4-500L3/0		3/0	115RTB	HCPK4	-	1
CR2-4-500L4/0		4/0	115RTB	HCPK4	-	1
CR2-4-500L250K		250	150RTB	HCPK4	-	1
CR2-4-500L300K		300	200RTB	HCPK4	-	1
CR2-3-625#6	⅝" Nominal Diameter	6	32RTB	HCPK3	SLEEVE#6	1
CR2-3-625#6S	Actual Shank Dia. 0.560"	6 solid	32RTB	HCPK3	SLEEVE#6S	1
CR2-3-625#4		4	32RTB	HCPK3	-	1
CR2-3-625#4S		4 solid	32RTB	HCPK3	-	1
CR2-4-625#2		2	90RTB	HCPK4	-	1
CR2-4-625#2S		2 solid	90RTB	HCPK4	-	1
CR2-4-625#1		1	90RTB	HCPK4	-	1
CR2-4-6251/0		1/0	90RTB	HCPK4	-	1
CR2-4-6251/0S		1/0 solid	115RTB	HCPK4	-	1
CR2-4-6252/0		2/0	115RTB	HCPK4	-	1
CR2-4-6253/0		3/0	115RTB	HCPK4	-	1
CR2-4-6254/0		4/0	115RTB	HCPK4	-	1
CR2-4-625250K		250	150RTB	HCPK4	-	1
CR2-4-625300K		300	200RTB	HCPK4	-	1
CR2-4-625350K		350	200RTB	HCPK4	-	1
CR2-4-625500K		500	250RTB	HCPK4	-	1

For Connections to Extensible (Threaded) Rods - Remove Top Threaded Section

Furseweld®

Cable to Ground Rod

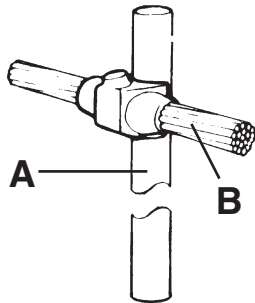


- Stranded Conductor
- Solid Circular Conductor

CR2 – Continued

Cat. No.	Rod Size (A)	Wire Size (B)	Welding Powder Size	Handle Clamp Type	Sleeve	Std. Ctn.
CR2-3-750#6	¾" Nominal Diameter	6	65RTB	HCPK3	SLEEVE#6	1
CR2-3-750#6S	Actual Shank Dia. 0.678"	6 solid	65RTB	HCPK3	SLEEVE#6S	1
CR2-3-750#4		4	65RTB	HCPK3	-	1
CR2-3-750#4S		4 solid	65RTB	HCPK3	-	1
CR2-4-750#2		2	90RTB	HCPK4	-	1
CR2-4-750#2S		2 solid	90RTB	HCPK4	-	1
CR2-4-750#1		1	90RTB	HCPK4	-	1
CR2-4-7501/0		1/0	115RTB	HCPK4	-	1
CR2-4-7501/0S		1/0 solid	115RTB	HCPK4	-	1
CR2-4-7502/0		2/0	115RTB	HCPK4	-	1
CR2-4-7503/0		3/0	115RTB	HCPK4	-	1
CR2-4-7504/0		4/0	115RTB	HCPK4	-	1
CR2-4-750250K		250	150RTB	HCPK4	-	1
CR2-4-750300K		300	200RTB	HCPK4	-	1
CR2-4-750350K		350	200RTB	HCPK4	-	1
CR2-4-750500K		500	250RTB	HCPK4	-	1

For Connections to Extensible (Threaded) Rods - Remove Top Threaded Section



- Stranded Conductor
- Solid Circular Conductor

CR3

Cat. No.	Rod Size (A)	Wire Size (B)	Welding Powder Size	Handle Clamp Type	Sleeve	Std. Ctn.
CR3-9-5001/0	½" Nominal Diameter	1/0	115RTB	HCPK4 and FRAME1	-	1
CR3-9-5001/0S	Actual Shank Dia. 0.476"	1/0 solid	115RTB	HCPK4 and FRAME1	-	1
CR3-9-5002/0	(Non UL Rod)	2/0	115RTB	HCPK4 and FRAME1	-	1
CR3-9-5003/0		3/0	150RTB	HCPK4 and FRAME1	-	1
CR3-9-5004/0		4/0	150RTB	HCPK4 and FRAME1	-	1
CR3-9-500250K		250	150RTB	HCPK4 and FRAME1	-	1
CR3-9-500300K		300	200RTB	HCPK4 and FRAME1	-	1
CR3-9-500L1/0	½" Nominal Diameter	1/0	115RTB	HCPK4 and FRAME1	-	1
CR3-9-500L1/0S	Actual Shank Dia. 0.502"	1/0 solid	115RTB	HCPK4 and FRAME1	-	1
CR3-9-500L2/0	(UL Rod)	2/0	115RTB	HCPK4 and FRAME1	-	1
CR3-9-500L3/0		3/0	150RTB	HCPK4 and FRAME1	-	1
CR3-9-500L4/0		4/0	150RTB	HCPK4 and FRAME1	-	1
CR3-9-500L250K		250	150RTB	HCPK4 and FRAME1	-	1
CR3-9-500300K		300	200RTB	HCPK4 and FRAME1	-	1
CR3-9-6251/0	¾" Nominal Diameter	1/0	115RTB	HCPK4 and FRAME1	-	1
CR3-9-6251/0S	Actual Shank Dia. 0.560"	1/0 solid	115RTB	HCPK4 and FRAME1	-	1
CR3-9-6252/0		2/0	115RTB	HCPK4 and FRAME1	-	1
CR3-9-6253/0		3/0	150RTB	HCPK4 and FRAME1	-	1
CR3-9-6254/0		4/0	150RTB	HCPK4 and FRAME1	-	1
CR3-9-625250K		250	150RTB	HCPK4 and FRAME1	-	1
CR3-9-625300K		300	200RTB	HCPK4 and FRAME1	-	1
CR3-9-625350K		350	250RTB	HCPK4 and FRAME1	-	1
CR3-10-625500K		500	2 X 200RTB	HCPK5 and FRAME2	-	1
CR3-9-7501/0	¾" Nominal Diameter	1/0	115RTB	HCPK5 and FRAME2	-	1
CR3-9-7501/0S	Actual Shank Dia. 0.678"	1/0 solid	115RTB	HCPK4 and FRAME1	-	1
CR3-9-7502/0		2/0	115RTB	HCPK4 and FRAME1	-	1
CR3-9-7503/0		3/0	115RTB	HCPK4 and FRAME1	-	1
CR3-9-7504/0		4/0	115RTB	HCPK4 and FRAME1	-	1
CR3-9-750250K		250	200RTB	HCPK4 and FRAME1	-	1
CR3-9-750300K		300	200RTB	HCPK4 and FRAME1	-	1
CR3-10-750350K		350	2 X 150RTB	HCPK5 and FRAME2	-	1
CR3-10-750500K		500	2 X 250RTB	HCPK5 and FRAME2	-	1

For Connections to Extensible (Threaded) Rods - Remove Top Threaded Section

Thomas & Betts