

PLEASE CHECK WWW.MOLEX.COM FOR LATEST PART INFORMATION

Part Number: **0781250008**
Status: **Active**
Description: 1.00mm Pitch DDR2 DIMM Socket, Very Low Profile, Vertical, Surface Mount, 1.8 V, Center Keys, Black Latches, Beveled Metal Pin Length 4.42mm, 240 Circuits, Lead-Free

Documents:

[3D Model](#) [Product Specification PS-78125-001-001 \(PDF\)](#)
[Drawing \(PDF\)](#) [RoHS Certificate of Compliance \(PDF\)](#)

Agency Certification

CSA LR19980
 UL E29179

General

Product Family Memory Module Sockets
 Series [78125](#)
 Component Type Socket
 Electrical Model Yes
 JEDEC Outline MO-237
 Product Name DDR2 DIMM
 UPC 883906521899

Physical

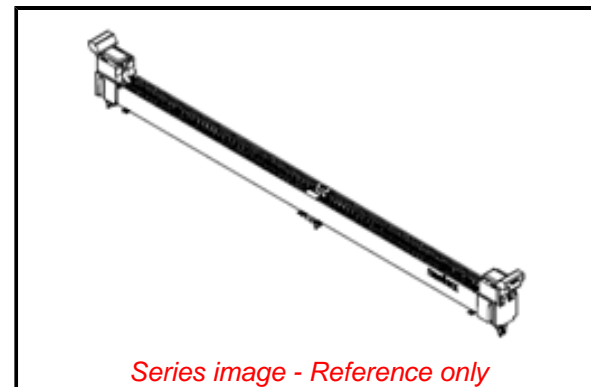
Circuits (Loaded) 240
 Durability (mating cycles max) 25
 Entry Angle Vertical (Top Entry)
 Flammability 94V-0
 Housing Color Black
 Keying to Mating Part Yes
 Latch Color Black
 Material - Metal Copper Alloy
 Material - Plating Mating Gold
 Material - Plating Termination Tin
 Material - Resin High Temperature Thermoplastic
 Net Weight 7.807/g
 PCB Locator Yes
 PCB Retention Yes
 PCB Thickness - Recommended 2.50mm
 Packaging Type Tray
 Pitch - Mating Interface 1.00mm
 Pitch - Termination Interface 1.00mm
 Plating min - Mating 0.762µm
 Plating min - Termination 2.540µm
 Temperature Range - Operating -10°C to +85°C
 Termination Interface: Style Surface Mount

Electrical

Current - Maximum per Contact 1.0A
 Voltage - Maximum 30V AC (RMS)
 Voltage Key 1.8V, Center

Solder Process Data

Duration at Max. Process Temperature (seconds) 005
 Lead-free Process Capability REFLOW
 Max. Cycles at Max. Process Temperature 003
 Process Temperature max. C 260



Series image - Reference only

EU ELV

Not Relevant

EU RoHS

Compliant

REACH SVHC

Not Contained Per
 -ED/01/2018 (15
 January 2018)

Halogen-Free

Status

Not Low-Halogen

Need more information on product environmental compliance?

Email productcompliance@molex.com
 Please visit the [Contact Us](#) section for any non-product compliance questions.

China ROHS	Green Image
ELV	Not Relevant
RoHS Phthalates	Not Contained

Search Parts in this Series

[78125](#) Series

Mates With

JEDEC Standard 1.27mm Modules

Material Info

Reference - Drawing Numbers

Electrical Model Document

EE-78125-001

Product Specification

PS-78125-001-001

S-Parameter Model

SP-78125-001

Sales Drawing

SD-78125-001

This document was generated on 07/12/2018

PLEASE CHECK WWW.MOLEX.COM FOR LATEST PART INFORMATION