

PLEASE CHECK WWW.MOLEX.COM FOR LATEST PART INFORMATION

Part Number: [0015040220](#)
Status: **Active**
Overview: [KK® Interconnect System - Molex](#)
Description: 3.96mm Pitch KK Polarizing Peg with Boss

Documents:

[3D Model](#) [RoHS Certificate of Compliance \(PDF\)](#)
[Drawing \(PDF\)](#)

General

| | |
|----------------|---|
| Product Family | Accessories |
| Series | 2560 |
| Component Type | Polarizing Key |
| Overview | KK® Interconnect System - Molex |
| Product Name | KK |
| UPC | 800754220743 |

Physical

| | |
|---------------------|---------|
| Circuits (Loaded) | 1 |
| Circuits (maximum) | 1 |
| Color - Resin | Natural |
| Lock to Mating Part | No |
| Material - Resin | Nylon |
| Net Weight | 0.051/g |
| Packaging Type | Bag |

Solder Process Data

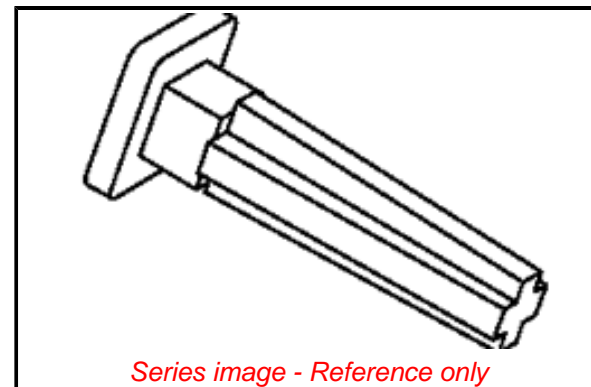
| | |
|-----------------------------|-----|
| Lead-freeProcess Capability | N/A |
|-----------------------------|-----|

Material Info

| | |
|--------------------|-------|
| Engineering Number | 25602 |
|--------------------|-------|

Reference - Drawing Numbers

| | |
|---------------|---------|
| Sales Drawing | SD-2560 |
|---------------|---------|



EU ELV

Not Relevant

EU RoHS

Compliant

REACH SVHC

Not Contained Per
-ED/01/2018 (15
January 2018)

Halogen-Free

Status

Low-Halogen

**Need more information on product
environmental compliance?**

Email productcompliance@molex.com
Please visit the [Contact Us](#) section for any
non-product compliance questions.

| | |
|-----------------|---------------|
| China ROHS | Green Image |
| ELV | Not Relevant |
| RoHS Phthalates | Not Contained |

Search Parts in this Series

[2560 Series](#)

Use With

[2139](#) KK Crimp Terminal. [2145](#) KK PC
Board Connector