

PLEASE CHECK WWW.MOLEX.COM FOR LATEST PART INFORMATION

Part Number: [0711981001](#)
Status: **Active**
Overview: [MicroCross DVI Connectors and Cable Assemblies](#)
Description: [MicroCross P&D-A Ground Blade](#)

Documents:

[3D Model](#) [RoHS Certificate of Compliance \(PDF\)](#)
[Drawing \(PDF\)](#)

General

Product Family	I/O Connectors
Series	71198
Application	Wire-to-Board
Component Type	Ground Blade
Overview	MicroCross DVI Connectors and Cable Assemblies
Product Name	MicroCross P&D
Type	N/A
UPC	800754345682

Physical

Boot Color	N/A
Circuits (Loaded)	N/A
Gender	Male
Lock to Mating Part	None
Material - Plating Mating	Gold
Material - Plating Termination	Tin
Net Weight	0.160/g
Orientation	Vertical
PCB Retention	N/A
Packaging Type	Tray
Panel Mount	Yes
Pitch - Mating Interface	N/A
Plating min - Mating	0.762µm
Plating min - Termination	3.810µm
Polarized to Mating Part	No
Surface Mount Compatible (SMC)	No
Termination Interface: Style	N/A
Waterproof / Dustproof	No
Wire Size AWG	22, 24, 28, 30

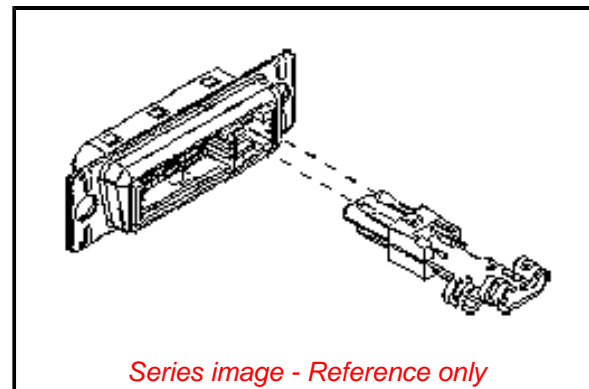
Electrical

Current - Maximum per Contact	N/A
-------------------------------	-----

Material Info

Reference - Drawing Numbers

Sales Drawing	SD-71198-100*
---------------	---------------



Series image - Reference only

EU ELV

Not Relevant

EU RoHS

Compliant

REACH SVHC

Not Contained Per
-ED/01/2018 (15
January 2018)

Halogen-Free

Status

Low-Halogen

Need more information on product environmental compliance?

Email productcompliance@molex.com
Please visit the [Contact Us](#) section for any non-product compliance questions.

China ROHS	Green Image
ELV	Not Relevant
RoHS Phthalates	Not Contained

Search Parts in this Series

[71198 Series](#)

Mates With

Wire-to-Board MicroCross PD-73712 and 71182