

NOTES:

ELECTRICAL:

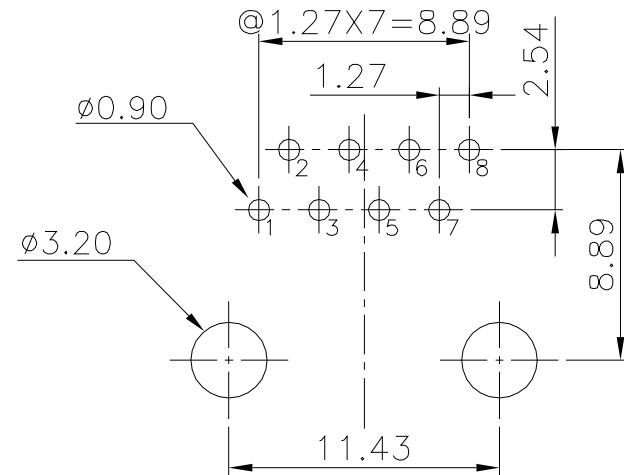
- 1. VOLTAGE RATING : 125 VAC RMS .
- 2. CURRENT RATING : 1.5 AMP .
- 3. CONTACT RESISTANCE : 30 MILLIOHMS MAX.
- 4. INSULATION RESISTANCE : 1000 MEGOHMS MIN @ 500 VDC.
- 5. DIELECTRIC STRENGTH : 1000 VAC RMS 60Hz, 1MIN.

MECHANICAL:

- 1. HOUSING MATERIAL : GLASS FILLED NYLON UL94V-0
- INSERT MATERIAL : NYLON UL94V-0
- 2. CONTACT MATERIAL : PHOSPHOR BRONZE. t=0.35mm
- 3. PLATING : CONTACT AREA-SELECTIVE GOLD.
- : TAILS-150u" TIN MIN OVER NICKEL.
- 4. OPERATING LIFE : 750 CYCLES MIN.
- 5. PCB RETENTION PRE-SOLDER: 1 LB MIN.
- 6. PCB RETENTION POST-SOLDER: 10 LBS MIN.

ENVIRONMENTAL:

- 1. STORAGE TEMPERATURE: -40°C TO +85°C.
- 2. OPERATION TEMPERATURE: -40°C TO +85°C.
- 3. WAVE SOLDERING TEMPERATURE: 255~265°C (5~10SECONDS)
- 4. RoHS COMPLIANT.



PC Board Layout T=1.6mm
Component Side Shown Tolerance±0.05mm

| |
|----------------|
| PART NUMBER |
| E5288-700Y14-L |

| | | | | | |
|----------------|----------------------------|-----------------------|----------------------------------|-------------------------|----------------------|
| DETACHED LISTS | MM (INCH) | RoHS Compliant | | | |
| | TOLERANCES EXCEPT AS NOTED | | TITLE | | |
| | MM | | RJ45 TOP ENTRY PCB JACK DIP TYPE | | |
| | .00 ± 0.2 | ± | DFTO Cothy | DRAWING NO. CE523031-LB | |
| | .00 ± 0.15 | ± | DATE 2006/09/07 | /PART NO. SEE TABLE | |
| | .000 ± 0.075 | ± | SCALE : 3:1 | | DO NOT SCALE DRAWING |
| | ANGLES ± 0.5 | | SHEET 1 | | OF 1 |
| | THIRD ANGLE PROJECTION | | SIZE A3 | | REV O |