

Product data sheet

Characteristics

XALD02H7

dark grey empty enclosure lid with light grey base
- 2 cut-outs-UL/CSA certified

Product availability : Stock - Normally stocked in distribution facility

Price* : 38.20 USD



Main

Range of product	Harmony XALD
Product or component type	Empty control station
Device short name	XALD
Product destination	For XB5 Ø 22 mm control and signalling units
Number of cut-out	2 cut-outs
Colour of base of enclosure	Light grey RAL 7035
Colour of cover	Dark grey RAL 7016
Material	Polycarbonate
Cable entry	2 knock-outs for cable entry, clamping capacity: <= 0.55 in (14 mm) 2 knock-outs for Pg 13 cable gland and ISO M20, clamping capacity: <= 0.47 in (12 mm)
IP degree of protection	IP69 IP67 IP66 conforming to IEC 60529 IP69K

Complementary

Assembly style	For customer assembly
Number of horizontal rows	1
Number of vertical rows	2
Product weight	0.45 lb(US) (0.205 kg)
Resistance to high pressure washer	1015.26 psi (7000000 Pa) at 131 °F (55 °C), distance: 0.1 m
Mounting of block	Front mounting Rear mounting
Electrical composition code	SR1 SR2 MR1 MF1 PF1 MF2 PF2 SF1 SF2 PR1
Main group	2 cut-outs

Group of product	UL-CSA grey
------------------	-------------

Environment

Protective treatment	TH
Ambient air temperature for storage	-40...158 °F (-40...70 °C)
Ambient air temperature for operation	-40...158 °F (-40...70 °C)
Overvoltage category	Class II conforming to IEC 60536
NEMA degree of protection	NEMA 13 NEMA 4X
IK degree of protection	IK03 conforming to EN 50102
Standards	EN/IEC 60947-1 EN/IEC 60947-5-1 EN/IEC 60947-5-4 EN/IEC 60947-5-5 JIS C 4520 UL 508 CSA C22.2 No 14
Product certifications	CSA UL

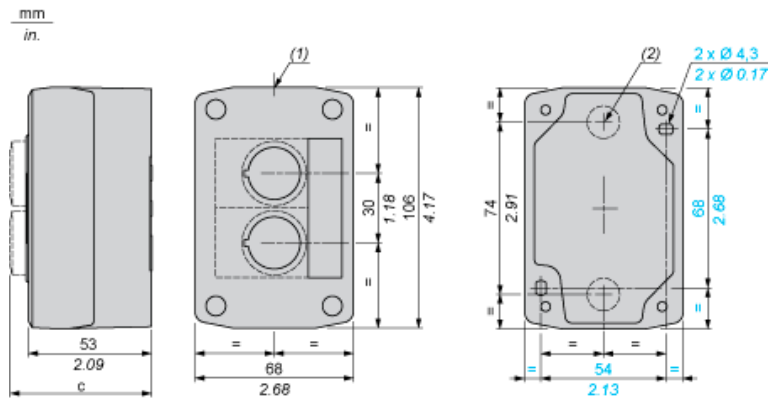
Ordering and shipping details

Category	22475 - WALL STATIONS
Discount Schedule	CS2
GTIN	00785901114932
Nbr. of units in pkg.	1
Package weight(Lbs)	0.41999999999999998
Returnability	Y
Country of origin	CZ

Contractual warranty

Warranty period	18 months
-----------------	-----------

Dimensions



- (1) 2 knock-outs for Pg 13.5 cable gland, maximum capacity 12 mm/0.47 in.
 (2) Knock-out for cable entry, maximum capacity 14 mm/0.55 in.

Control station fitted with:	c in mm	c in in.
Flush pushbutton	62	2.44
Pilot light	64	2.52
Illuminated pushbutton	65.5	2.58
Projecting pushbutton	66	2.60
Selector switch	80	3.15
Mushroom head pushbutton	91.5	3.58
Latching mushroom head Emergency stop pushbutton with key	115	4.53
Key switch	105.5	4.15