



Main

Range of product	Harmony 9001K
Product or component type	Complete selector switch
Device short name	9001K
Type of operator	Stay put
Operator profile	Key switch

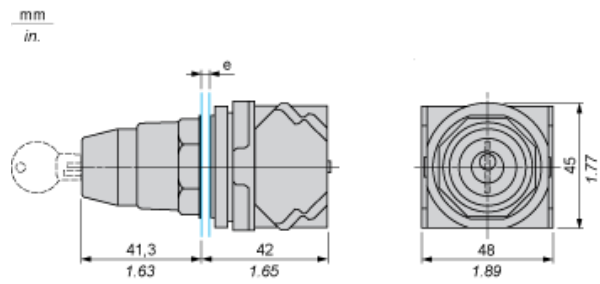
Complementary

Bezel material	Chromium plated metal
Mounting diameter	30 mm
Product weight	0.234 kg
Shape of signaling unit head	Octagonal
Operator position information	3 positions +/- 45°
Type of keylock	E10
Key withdrawal position	Center
Contacts type and composition	Without contact block
Mechanical durability	500000 cycles
Product compatibility	9001KA1, mounting on side 1 or 2

Environment

Protective treatment	TC
Ambient air temperature for storage	-40...70 °C
Ambient air temperature for operation	-25...70 °C
Class of protection against electric shock	Class II conforming to IEC 61140
IP degree of protection	IP66 conforming to IEC 60529
NEMA degree of protection	NEMA 4 NEMA 3R NEMA 3 NEMA 2 NEMA 13 NEMA 12 NEMA 1
Standards	CSA C22-2 No 14 EN/IEC 60947-1 EN/IEC 60947-5-1 EN/IEC 60947-5-4 JIS C 4520 JIS C 852 UL 508
Product certifications	NEMA UL 508
Vibration resistance	7 gn (f = 2...500 Hz) conforming to IEC 60068-2-6
Shock resistance	50 gn conforming to IEC 60068-2-27
RoHS EUR status	Compliant
RoHS EUR conformity date	0921

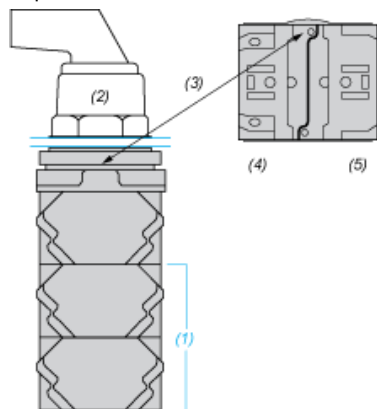
Dimensions



e panel thickness: 1 to 6 mm / 0.04 to 0.24 in.

Contact Block Mounting Position

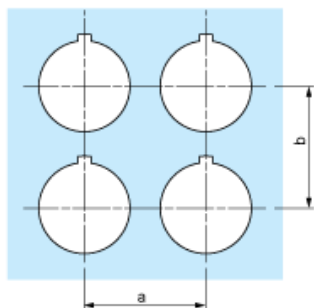
Top and Rear views



- (1) It is possible to mount up to 3 levels of contacts blocks (maximum of 6 contacts blocks)
- (2) Operator
- (3) Locating notch
- (4) Side 1
- (5) Side 2

Panel Cut-Out

Clearance



Legend plate	a min.		b min.	
	mm	in.	mm	in.
9001KN2••	57.2	2.25	44.5	1.75
9001KN3••	57.2	2.25	50.8	2.00

Individual Cut-outs Details

2 alternatives

