

**PLEASE CHECK WWW.MOLEX.COM FOR LATEST PART INFORMATION**

**Part Number:** [0358421316](#)  
**Status:** **Active**  
**Overview:** Automotive Bulb Sockets  
**Description:** PT Bulb Socket, Double Housing Assembly, Type B, P21/5W, Sealed, White

**Documents:**

[3D Model](#) [Packaging Specification PK-35842-001-001 \(PDF\)](#)  
[Drawing \(PDF\)](#) [RoHS Certificate of Compliance \(PDF\)](#)

**General**

Product Family	Other Sockets
Series	<a href="#">35842</a>
Comments	B-Type
Component Type	Socket
Overview	<a href="#">Automotive Bulb Sockets</a>
Product Name	PT Bulb Socket
UPC	756054269794

**Physical**

Circuits (Loaded)	3
Circuits (maximum)	3
Color - Resin	White
Durability (mating cycles max)	Contact Molex
Entry Angle	Vertical
Keying to Mating Part	None
Material - Metal	Phosphor Bronze
Material - Resin	Nylon
Net Weight	10.626/g
PCB Locator	No
PCB Retention	N/A
Packaging Type	Bag
Pitch - Mating Interface	N/A
Temperature Range - Operating	-40°C to +85°C
Termination Interface: Style	Through Hole

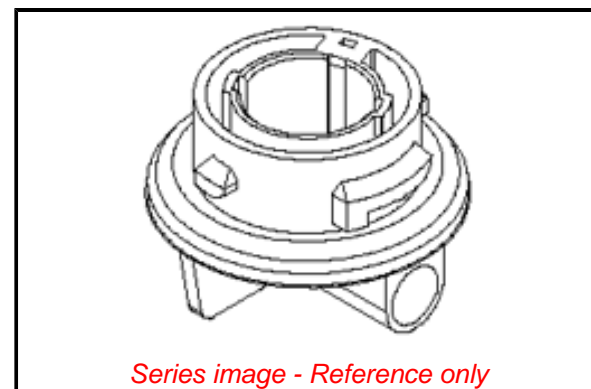
**Electrical**

Current - Maximum per Contact	7.0A
Voltage - Maximum	12V

**Material Info**

**Reference - Drawing Numbers**

Packaging Specification	PK-35842-001-001
Sales Drawing	SD-35842-002



*Series image - Reference only*

**EU ELV**

**Compliant**

**EU RoHS**

**Compliant**

**REACH SVHC**

Not Contained Per  
-ED/01/2018 (15  
January 2018)

**Halogen-Free**

**Status**

**Low-Halogen**

**Need more information on product environmental compliance?**

Email [productcompliance@molex.com](mailto:productcompliance@molex.com)  
Please visit the [Contact Us](#) section for any non-product compliance questions.

China ROHS	Not Relevant
ELV	Compliant
RoHS Phthalates	Not Contained

**Search Parts in this Series**

[35842](#) Series

**Mates With**

Bayonet Base Bulb

**Use With**

Positive Terminal for PT Bulb Socket  
[35464-8000](#) <br>Earth Terminal for PT  
Bulb Socket [35465-8000](#) <br>Positive Wire  
Seal [35903-0096](#) <br>Earth Wire Seal  
[35903-0106](#)