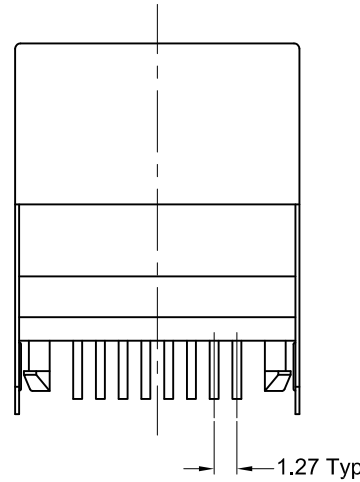
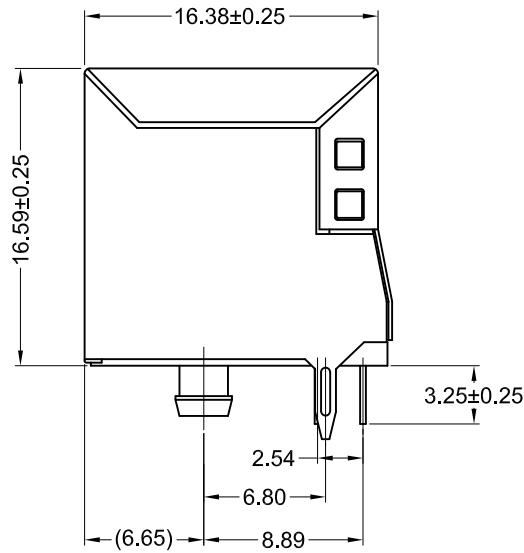
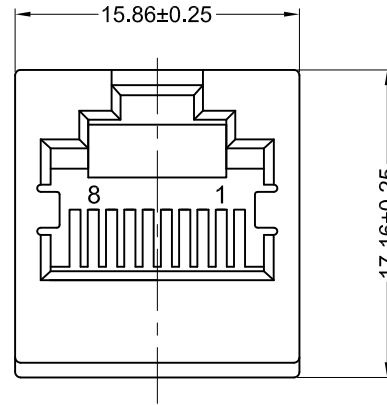
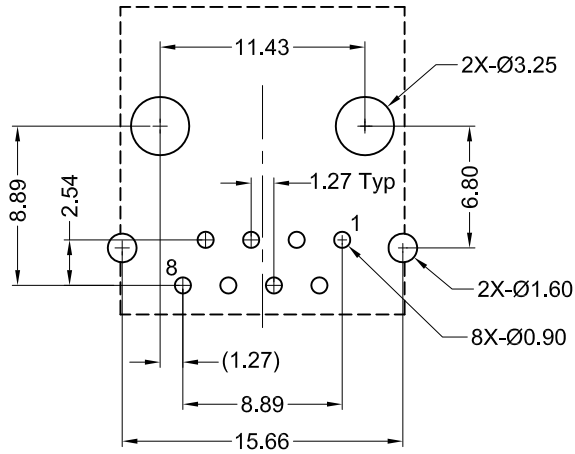


Recommended PCB Layout
(Top View)



Materials and Finish

Housing: PBT Thermoplastic
UL 94V-0 Rated
Color: Black

Shield: Brass, Nickel Plated

Contact Material:
Phosphor Bronze

Plating Options:

Standard: Nickel Underplating,
Gold Flash Plating on Contact Area,
Tin Plated on Solder Area

50 Option: Nickel Underplating,
Contact Area Plated with 50u" Gold
to Comply with ANSI/TIA-1096-A,
Tin Plated on Solder Area

Electrical Characteristics

Rated Current: 1.5A

Rated Voltage: 125V DC

Insulation Resistance:
500 Megohms Min.

Contact Resistance:
20 milliohms Max.

Dielectric Withstanding Voltage:
1000V AC for 1 Minute

Mechanical Characteristics

Durability Rating:
500 Mating Cycles Min.

Operating Temperature:
-40°C to +85°C

| Part Number | Contact Area Plating Finish |
|----------------|-----------------------------|
| GDCX-PNS-88 | Gold flash (standard) |
| GDCX-PNS-88-50 | 50u" Gold (50 option) |



Tolerances

X.X ± 0.25
X.XX ± 0.15
Unless Stated
Otherwise

| REV. | DATE | DESCRIPTION | REV. BY | CHK. BY | DRAWN BY | DATE |
|------|----------|--------------------|------------|-------------|------------|---------|
| A1 | 05/17/05 | New Drawing | R. Aguirre | H. MA | R. Aguirre | 5/12/05 |
| A2 | 05/12/10 | ECO #10-025 | S. Vien | H. MA | | |
| A3 | 09/04/12 | ECO #12-049 | S. Vien | P. DalCanto | | |
| A4 | 12/18/14 | Update Description | W. Cook | N/A | UNITS | mm |
| A5 | 03/25/15 | ECO#15-001 | H. MA | C. Furumasu | | |
| A6 | 01/13/16 | ECO#16-001 | H. MA | W. Cook | | |

GDCX-PNS-88-xx

Vertical, Thru-Hole PCB Mount, RoHS Compliant

Shielded Mod Jack, 10P8C, Closed Body Type

