

**PLEASE CHECK WWW.MOLEX.COM FOR LATEST PART INFORMATION**

**Part Number:** [87599-1001](#)  
**Status:** **Active**  
**Overview:** EBBI™ 50D  
**Description:** 1.27mm Pitch EBBI™ 50D, Receptacle, Through Hole, Right Angle, Dual Stack, 4 Rows, with Beveled Metal Pins, with Lubrication, 0.76µm Gold (Au) Selective Plating, 136 Circuits, Lead-Free

**Documents:**

[3D Model](#)  
[Drawing \(PDF\)](#)

[RoHS Certificate of Compliance \(PDF\)](#)

**Agency Certification**

CSA LR19980

**General**

Product Family PCB Receptacles  
 Series [87599](#)  
 Application Board-to-Board, Signal  
 Overview [EBBI™ 50D](#)  
 Product Name EBBI™  
 UPC 822348531738

**Physical**

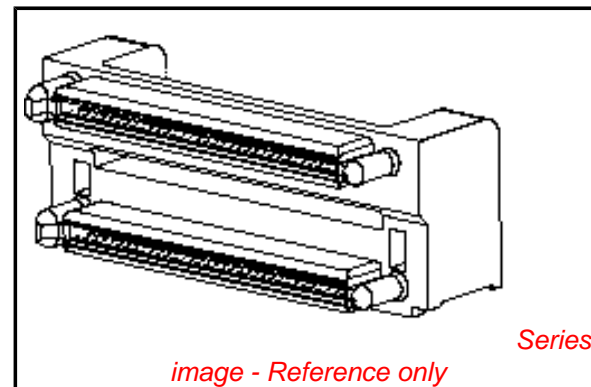
Circuits (Loaded) 136  
 Circuits (maximum) 136  
 Color - Resin Black  
 Durability (mating cycles max) 2,000  
 Flammability 94V-0  
 Glow-Wire Compliant No  
 Lock to Mating Part None  
 Material - Metal Phosphor Bronze  
 Material - Plating Mating Gold  
 Material - Plating Termination Tin  
 Material - Resin High Temperature Thermoplastic  
 Net Weight 19.931/g  
 Number of Rows 4  
 Orientation Right Angle  
 PC Tail Length 2.00mm  
 PCB Locator Yes  
 PCB Retention Yes  
 PCB Thickness - Recommended 1.60mm  
 Packaging Type Tray  
 Pitch - Mating Interface 1.27mm  
 Plating min - Mating 0.762µm  
 Plating min - Termination 2.540µm  
 Polarized to PCB Yes  
 Surface Mount Compatible (SMC) Yes  
 Temperature Range - Operating -25°C to +85°C  
 Termination Interface: Style Surface Mount, Through Hole

**Electrical**

Current - Maximum per Contact 1A  
 Voltage - Maximum 30V

**Solder Process Data**

Duration at Max. Process Temperature (seconds) 5  
 Lead-free Process Capability SMC & Wave Capable (TH only)



**EU RoHS**

**RoHS Compliant by Exemption**  
**REACH SVHC**  
 Not Reviewed  
**Low-Halogen Status**  
**Not Reviewed**

**China RoHS**



**Need more information on product environmental compliance?**

Email [productcompliance@molex.com](mailto:productcompliance@molex.com)  
 For a multiple part number RoHS Certificate of Compliance, [click here](#)

Please visit the [Contact Us](#) section for any non-product compliance questions.

**Search Parts in this Series**

87599Series

**Mates With**

71661-7\*\*\*|71661-25\*\*

Max. Cycles at Max. Process Temperature	1
Process Temperature max. C	265

### **Material Info**

This document was generated on 10/09/2014

**PLEASE CHECK [WWW.MOLEX.COM](http://WWW.MOLEX.COM) FOR LATEST PART INFORMATION**