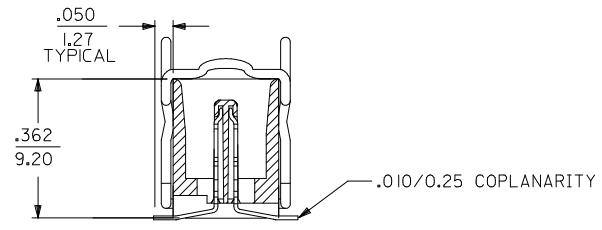
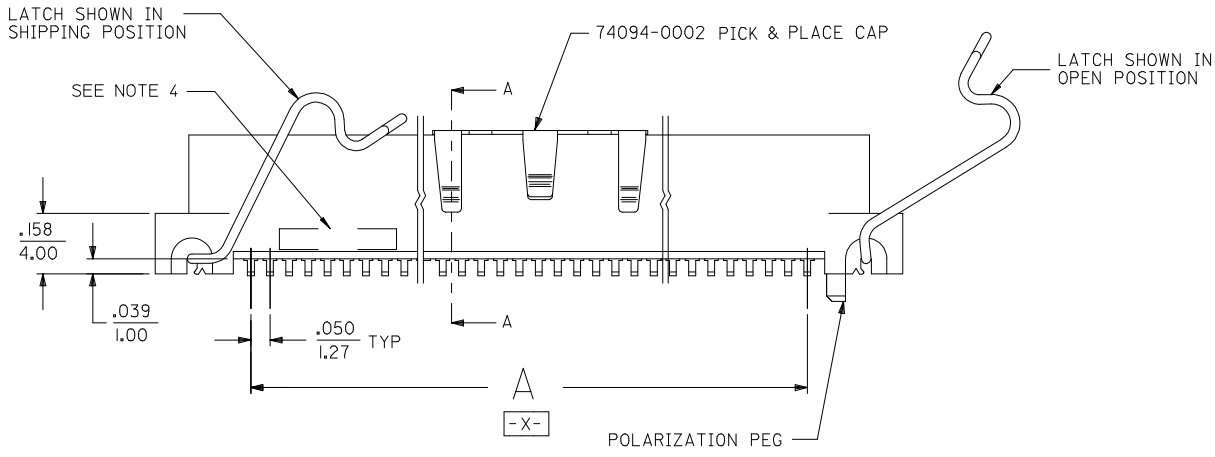
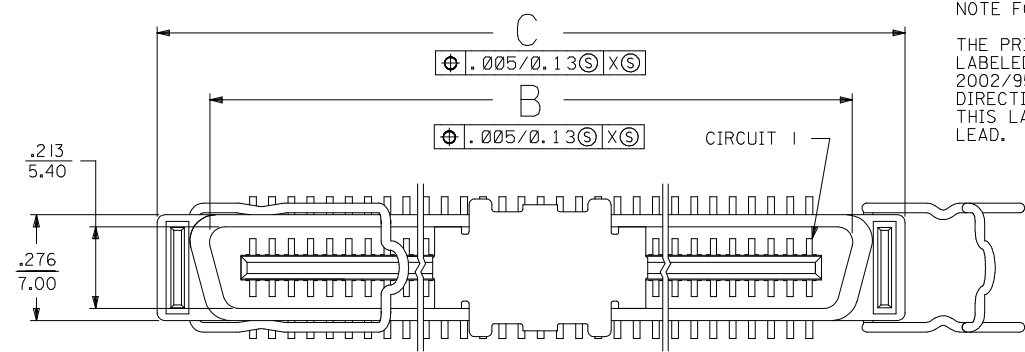


NOTE FOR LEAD FREE CONVERSION:

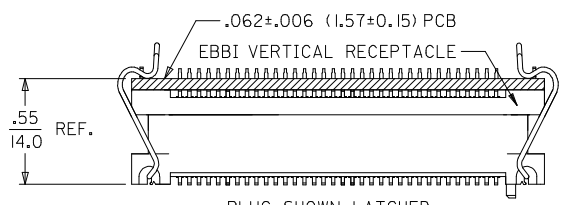
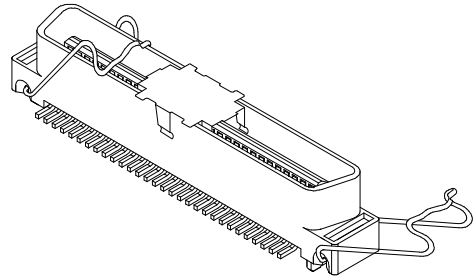
THE PRIMARY SHIPPING CARTON WILL BE LABELED "COMPLIANT TO RoHS DIRECTIVE 2002/95/EC AND ELV ANNEX II OF DIRECTIVE 2000/53/EC". CARTONS WITHOUT THIS LABEL MAY CONTAIN PRODUCT WITH LEAD.

NOTES:

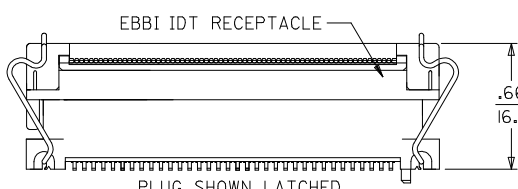
- 1) MATERIALS:  
HOUSING: GLASS-FILL LCP (LIQUID CRYSTAL POLYMER)  
UL 94 V 0, BLACK  
TERMINALS: COPPER ALLOY  
METAL LATCHES: STAINLESS STEEL.
- 2) FINISH:  
TERMINALS:  
.000030/(0.00076) MINIMUM GOLD IN CONTACT AREA AND  
.000050/(0.00127) MINIMUM TIN IN TAIL AREA OVER NICKEL UNDERPLATING OVERALL
- 3) ASSEMBLY MATES WITH MOLEX P/N SDA-71660-\*\*\*\*. CONFORMS TO PRODUCT SPECIFICATION PS-71660.
- 4) FOUR DIGIT DATE CODE (WK, YR), EXAMPLE => 26 96 LOCATED IN AREA INDICATED.



SECTION A-A  
SCALE 4:1



PLUG SHOWN LATCHED TO EBBI VERTICAL RECEPTACLE (SEE SDA-71661-1\*\*\*)



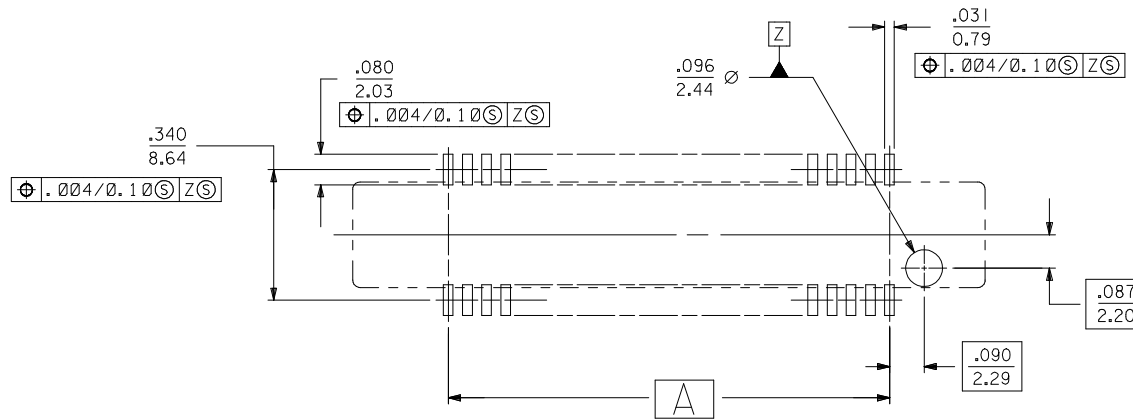
PLUG SHOWN LATCHED TO EBBI IDT RECEPTACLE (SEE SDA-71661-3\*\*\*)

REFERENCE APPLICATION VIEWS

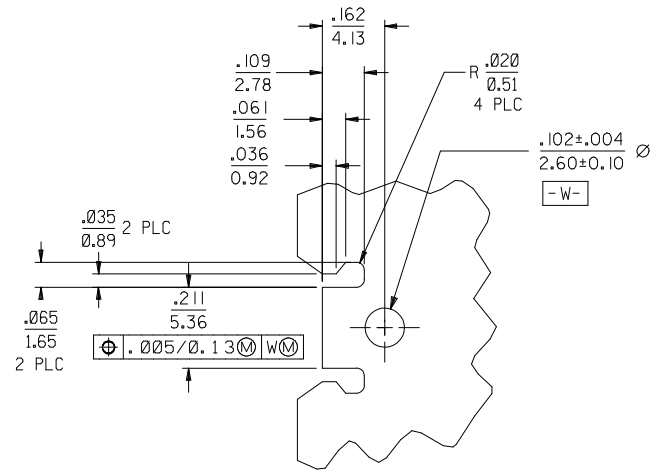
74139-5702	100	2.450 (62.23)	2.675 (67.95)	2.949 (74.90)	PK-70873-007
74139-5701	60	1.450 (36.83)	1.676 (42.57)	1.949 (49.50)	PK-70873-007

MATERIAL NUMBER	CKT	A	B	C	PACKAGING SPEC.
-----------------	-----	---	---	---	-----------------

MOVE DATE CODE EC NO: UCP2013-4178 DRWIN:POFF 2012/09/24 CHKD:BBARKER 2012/09/24 APPR:SMILLER 2012/09/28	QUALITY SYMBOLS ▽=0 ▽=0 ▽=0	GENERAL TOLERANCES (UNLESS SPECIFIED)	DIMENSION STYLE IN/MM	SCALE INCH	DESIGN UNITS INCH	THIRD ANGLE PROJECTION
		4 PLACES ± --- ± --- 3 PLACES ± --- ± .010 2 PLACES ± 0.25 ± --- 1 PLACE ± --- ± --- 0 PLACE ± --- ± ---	DRAWN BY DATE BSMART 01/20/2005 CHECKED BY DATE BBARKER 01/20/2005 APPROVED BY DATE SMILLER 2012/09/28	TITLE SALES ASSY EBBI 50D VERT SMT PLUG-NO FORKLOCKS, W/LATCHES, W/VAC CAP	MATERIAL NO. SEE TABLE	DOCUMENT NO. SD-74139-005
DRAFT WHERE APPLICABLE MUST REMAIN WITHIN DIMENSIONS		THIS DRAWING CONTAINS INFORMATION THAT IS PROPRIETARY TO MOLEX INCORPORATED AND SHOULD NOT BE USED WITHOUT WRITTEN PERMISSION				



RECOMMENDED CIRCUIT BOARD LAYOUT



CIRCUIT BOARD LAYOUT FOR RECEPTACLES THAT WILL BE SECURED WITH PLUG LATCHES

SEE SHEET 1 EC NO: UCP2013-1178 DRWN:MP0FF 2012/09/24 CHKD:BBARKER 2012/09/24 APPR:SMILLER 2012/09/28	QUALITY SYMBOLS ▽=0 ▽=0 ▽=0	GENERAL TOLERANCES (UNLESS SPECIFIED)		DIMENSION STYLE IN/MM		SCALE	DESIGN UNITS INCH	THIRD ANGLE PROJECTION	
		4 PLACES ± --- ± ---	3 PLACES ± --- ± .010	2 PLACES ± 0.25 ± ---	1 PLACE ± --- ± ---	0 PLACE ± --- ± ---	ANGULAR ±1/2°	DRAFT WHERE APPLICABLE MUST REMAIN WITHIN DIMENSIONS	
MATERIAL NO.		DRAWN BY BSMART		DATE 01/20/2005		TITLE SALES ASSY EBBI 50D VERT SMT PLUG-NO FORKLOCKS, W/LATCHES, W/VAC CAP		DOCUMENT NO. SD-74139-005	
SIZE		SEE TABLE		APPROVED BY SMILLER		DATE 2012/09/28		SHEET NO. 2 OF 2	
THIS DRAWING CONTAINS INFORMATION THAT IS PROPRIETARY TO MOLEX INCORPORATED AND SHOULD NOT BE USED WITHOUT WRITTEN PERMISSION									