

**HIGH PRESSURE
CONNECTORS
V SERIES**



Precision modular connectors to suit your application

Since its creation in Switzerland in 1946 the LEMO Group has been recognized as a global leader of circular Push-Pull connectors and connector solutions. Today LEMO and its affiliated companies, REDEL and COELVER, are active in more than 80 countries with the help of over 40 subsidiaries and distributors.

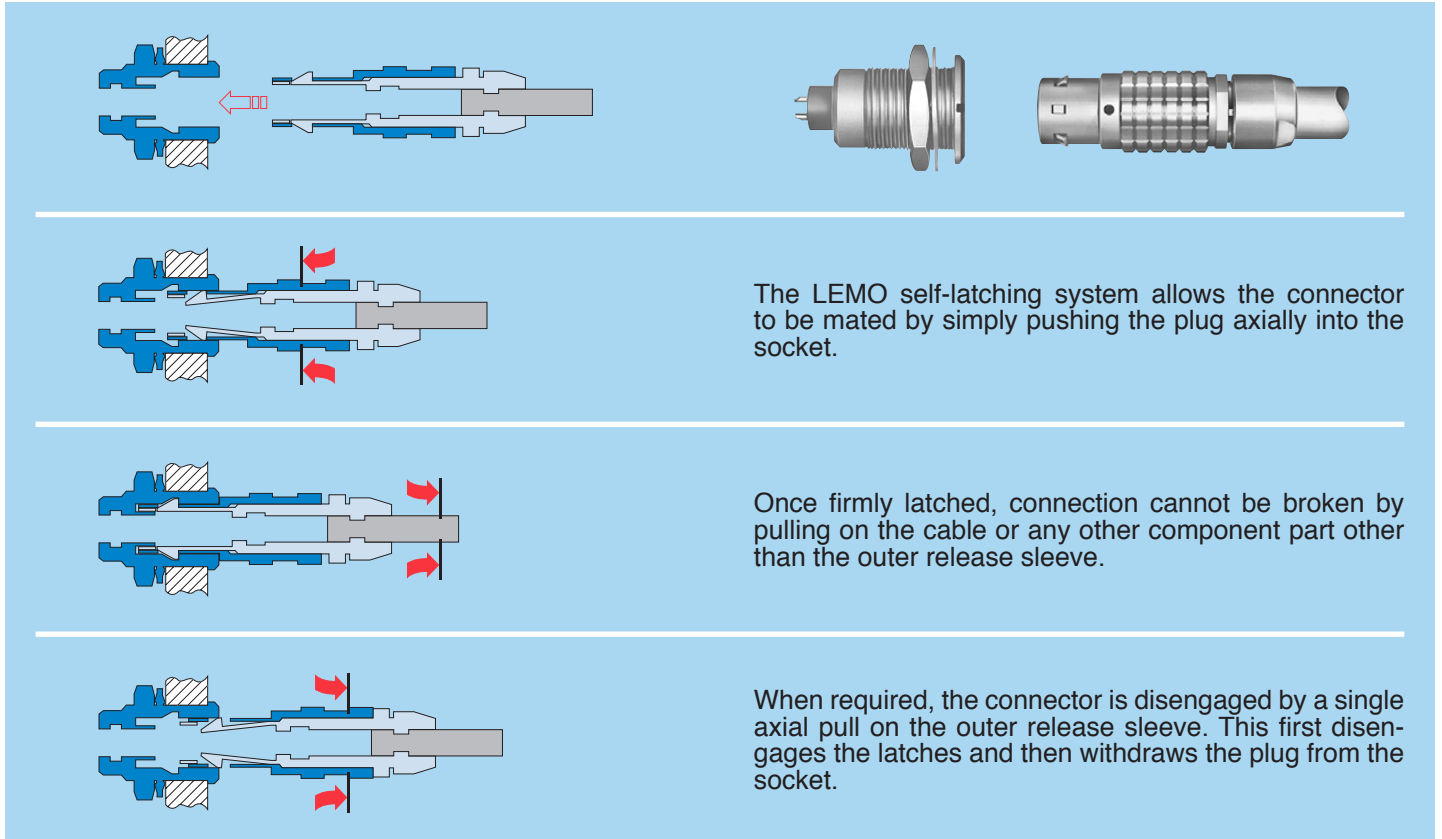
Over 75000 connectors

The modular design of the LEMO range provides over 75000 connectors from miniature \varnothing 3 mm to \varnothing 50 mm, capable of handling cable diameters up to 30 mm and for up to 114 contacts.

This vast portfolio enables you to select the ideal connector configuration to suit almost any specific requirement in most markets, including medical devices, test and measurement instruments, machinery, audio video broadcast, telecommunications and military.

LEMO's Push-Pull Self-Latching Connection System (not shown in this catalogue)


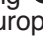
This self-latching system is renowned worldwide for its easy and quick mating and unmating features. It provides absolute security against vibration, shock or pull on the cable, and facilitates operation in a very limited space.



UL Recognition

LEMO connectors are recognized by the Underwriters Laboratories (UL). The approval of the complete system (LEMO connector, cable and your equipment) will be easier because LEMO connectors are recognized.

CE marking

CE marking  means that the appliance or equipment bearing it complies with the protection requirements of one or several European safety directives. CE marking  applies to complete products or equipment, **but not to electromechanical components, such as connectors.**

RoHS

LEMO connector specifications conforms the requirements of the RoHS directive (2011/65/EU) of the European Parliament and the latest amendments. This directive specifies the restrictions of the use of hazardous substances in electrical and electronic equipment marketed in Europe.

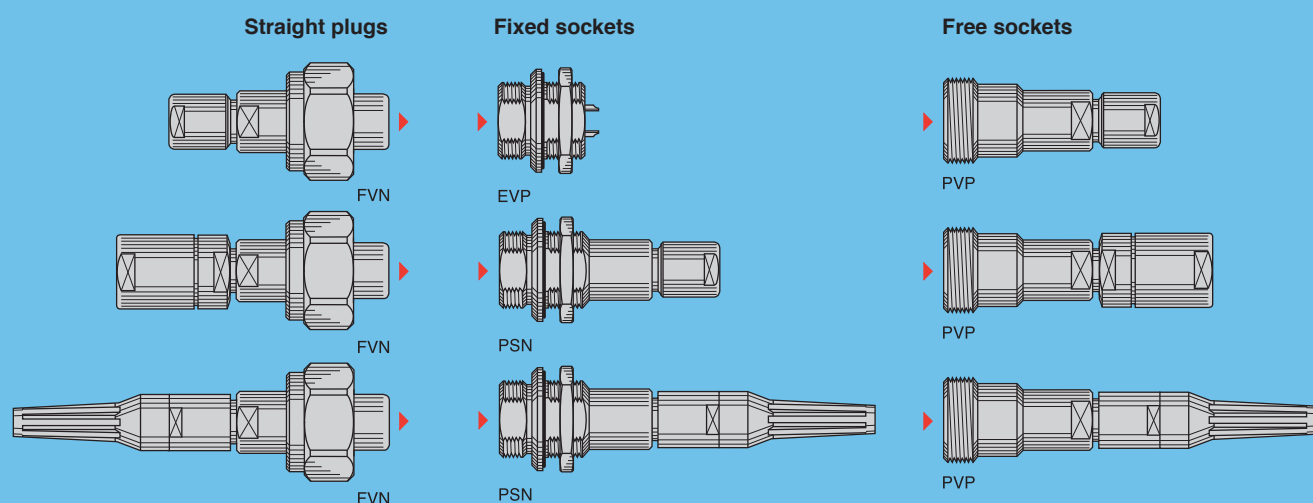
V Series

V series connectors have been developed for utilisation where protection must be guaranteed under high pressures of liquids. The basic elements, insulators, contacts and clamping system are from the S and E series. The push-pull latching system has been replaced by a screw coupling system with watertightness maintained by compression of an O-ring in FPM (Viton®) according to the triangular shaped cavity principle. There are multiple application possibilities, from nuclear physics to the petroleum industry. After cable assembly the rear part must be covered with an adhesive heatshrink boot in order to ensure watertightness on the cable side. V series connectors provide the following main features:

- unipole and multipole type
- coaxial, triaxial or mixed type available upon request
- polarisation by stepped insert (half moon)
- 360° screening for full EMC shielding
- rugged housing for extreme working conditions.

Interconnections

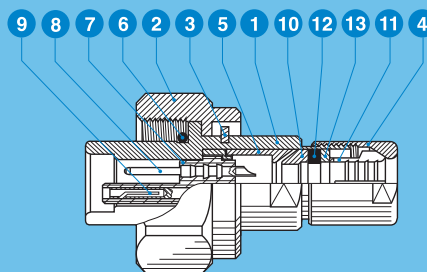
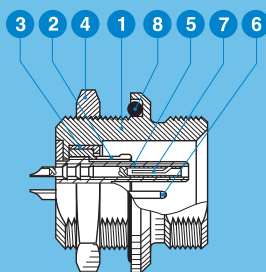
Models (page 3)



Part Section Showing Internal Components (multipole)

Fixed socket

- 1 outer shell
- 2 earthing crown
- 3 retaining ring
- 4 hexagonal nut
- 5 insulator
- 6 male contact
- 7 female contact
- 8 O-ring

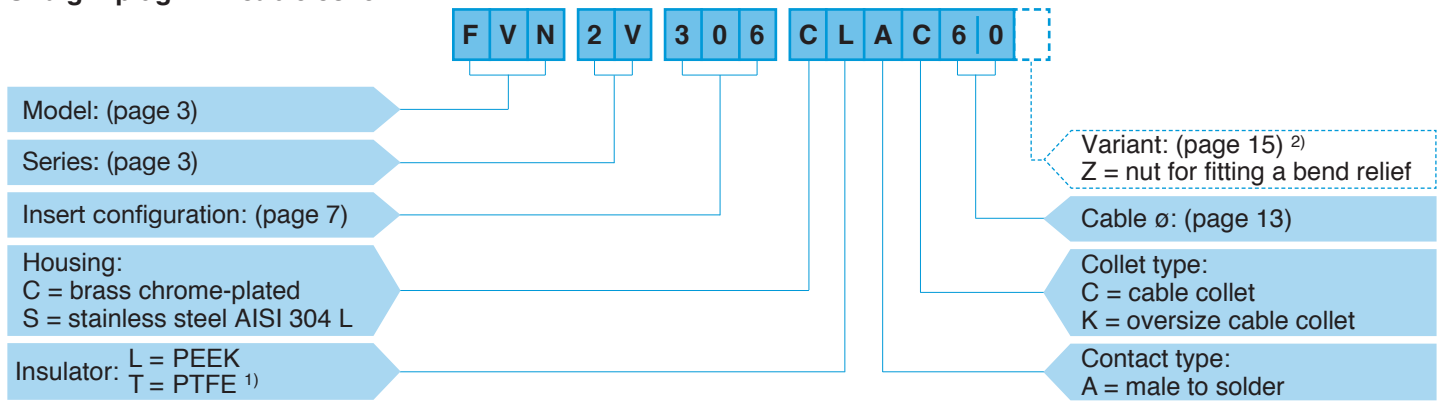


Straight plug

- 1 outer shell
- 2 coupling nut
- 3 circlip
- 4 collet nut
- 5 centre-piece
- 6 o-ring
- 7 insulator
- 8 male contact
- 9 female contact
- 10 earthing cone
- 11 collet
- 12 gasket
- 13 washer

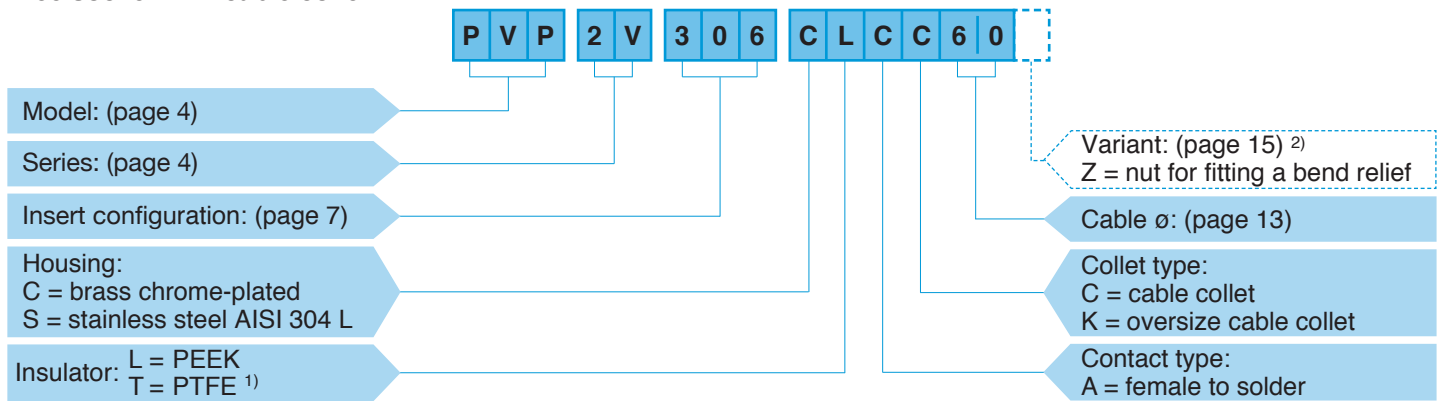
Part Number Example

Straight plug with cable collet



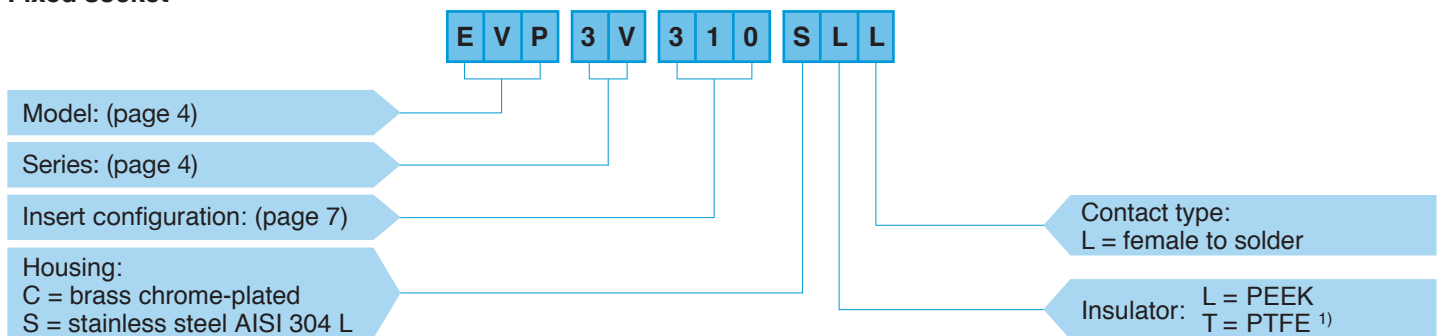
FVN.2V.306.CLAC60 = straight plug with cable collet, 2V series, multipole type with 6 contacts, outer shell in chrome-plated brass, PEEK insulator, male solder contacts, C type collet for 6 mm diameter cable.

Free socket with cable collet



PVP.2V.306.CLLC60 = free socket with cable collet, 2V series, multipole type with 6 contacts, outer shell in chrome-plated brass, PEEK insulator, female solder contacts, C type collet for 6 mm diameter cable.

Fixed socket



EVP.3V.310.SLL = fixed socket, nut fixing, 3V series, multipole type with 10 contacts, outer shell in stainless steel, PEEK insulator, female solder contacts.

Note: ¹⁾ PTFE insulator for unipole type only.

²⁾ The «Variant» position in the reference is used to specify either the presence of a collet nut for fitting the bend relief.

For models with collet nut for fitting the bend relief, a «Z» should be indicated and a bend relief can be ordered separately. An order for a connector with bend relief should thus include two part numbers.



Models

Technical Characteristics

Mechanical and Climatical

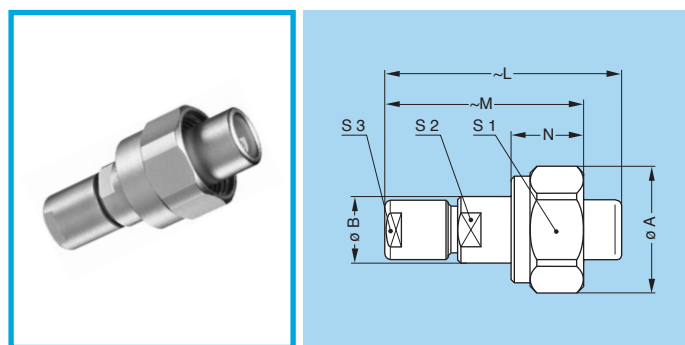
Characteristics	Value	Standard
Endurance	> 1000 cycles	IEC 60512-5 test 9a
Temperature range	-20° C, +200° C	
Salt spray corrosion test	> 144h	IEC 60512-6 test 11f
Protection index (mated)	> IP 68	IEC 60529
Resistance to hydrostatic pressure (mated)	~ 30 bars ¹⁾	IEC 60512-7 test 14d
Climatical category	20/200/21	IEC 60068-1

Electrical

Characteristics	Value	Standard
Shielding efficiency	at 10 MHz	> 95 dB
	at 1 GHz	> 80 dB

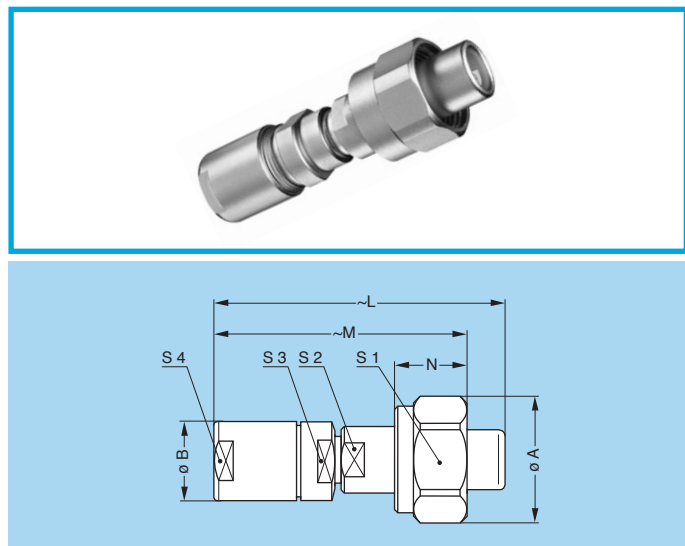
Note: ¹⁾ in order to perform correctly and withstand the pressure, cable assembly shall be made according to instruction we recommend. See page 18.

FVN Straight plug with cable collet



Reference		Dimensions (mm)							
Model	Series	A	B	L	M	N	S1	S2	S3
FVN	0V	17.2	10	34.0	29	13.5	16	9	8
FVN	1V	19.3	12	43.0	35	14.0	18	10	9
FVN	2V	23.5	16	52.5	42	15.5	22	14	12
FVN	3V	27.8	18	61.0	47	16.5	26	16	15
FVN	4V	34.3	24	71.0	57	17.5	32	22	19
FVN	5V	50.0	38	94.0	78	21.0	47	34	30

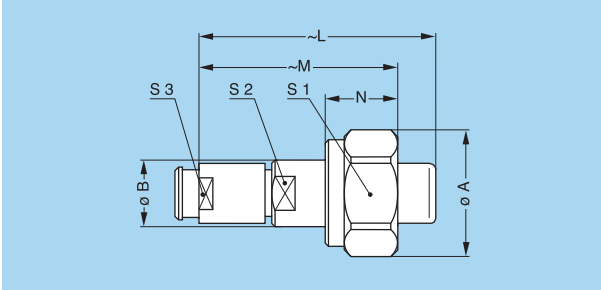
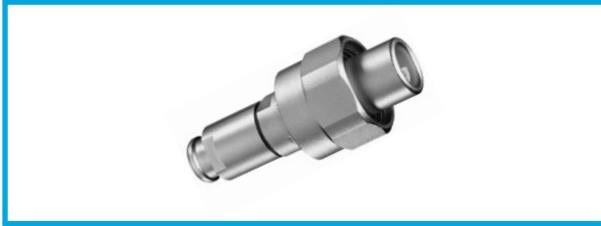
FVN Straight plug with oversize cable collet ¹⁾



Reference		Dimensions (mm)								
Model	Series	A	B	L	M	N	S1	S2	S3	S4
FVN	1V	19.3	14.5	55	47	14.0	18	10	12	12
FVN	2V	23.5	17.0	65	55	15.5	22	14	15	15
FVN	3V	27.8	22.0	80	66	16.5	26	16	19	19
FVN	4V	34.3	36.0	105	91	17.5	32	22	30	32

Note: ¹⁾ correspond to K type of collet, the fitting of oversize collets onto this model allows them to be fitted to the cables that can be accommodated by the next housing size up (see page 13).

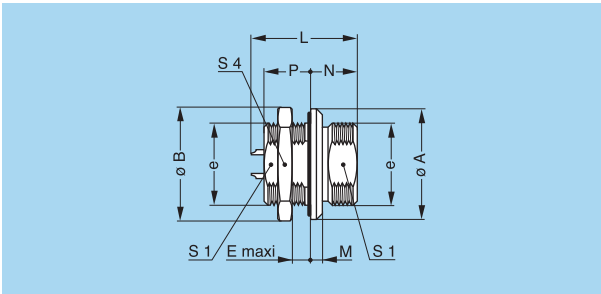
FVN Straight plug, cable collet and nut for fitting a bend relief ¹⁾



Reference		Dimensions (mm)							
Model	Series	A	B	L	M	N	S1	S2	S3
FVN	0V	17.2	10	34	29	13.5	16	9	7
FVN	1V	19.3	12	43	35	14.0	18	10	9
FVN	2V	23.5	16	52	42	15.5	22	14	12
FVN	3V	27.8	18	60	47	16.5	26	16	15
FVN	4V	34.3	24	71	57	17.5	32	22	19

Note: ¹⁾ to order, add a «Z» at the end of the reference. The bend relief must be ordered separately (see pages 141 and 142 of the unipole/multipole catalog).

EVP Fixed socket, nut fixing

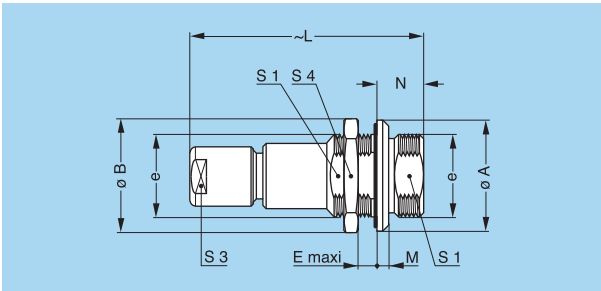


Reference		Dimensions (mm)									
Model	Series	A	B	e	E	L	M	N	P	S1	S4
EVP	0V	19	19.2	M14x1.0	5.5	19.0	2.0	8.0	8.0	12.5	17
EVP	1V	21	21.5	M16x1.0	10.5	26.0	2.0	8.0	13.5	14.5	19
EVP	2V	26	27.0	M20x1.0	11.0	29.0	2.5	9.0	15.0	18.5	24
EVP	3V	31	34.0	M24x1.0	15.0	34.5	3.0	9.5	20.0	22.5	30
EVP	4V	38	40.5	M30x1.0	14.5	35.0	3.5	10.0	21.5	28.5	36
EVP	5V	55	54.0	M45x1.5	15.5	44.5	4.5	12.5	24.5	42.5	–

Panel cut-out (page 15)

Note: the 5V series is delivered with a round nut.

PSN Fixed socket, cable collet, nut fixing



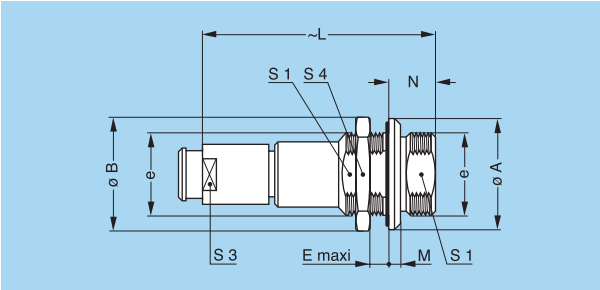
Reference		Dimensions (mm)									
Model	Series	A	B	e	E	L	M	N	S1	S3	S4
PSN	0V	19	19.2	M14x1.0	5.5	34.0	2.0	8.0	12.5	8	17
PSN	1V	21	21.5	M16x1.0	10.5	46.0	2.0	8.0	14.5	9	19
PSN	2V	26	27.0	M20x1.0	11.0	54.0	2.5	9.0	18.5	12	24
PSN	3V	31	34.0	M24x1.0	15.0	65.0	3.0	9.5	22.5	15	30
PSN	4V	38	40.5	M30x1.0	14.5	75.5	3.5	10.0	28.5	19	36
PSN	5V	56	54.0	M45x1.5	15.5	95.0	4.5	12.5	42.5	30	–

Panel cut-out (page 15)

Note: the 5V series is delivered with a round nut.



PSN Fixed socket, cable collet, nut fixing and nut for fitting a bend relief ¹⁾

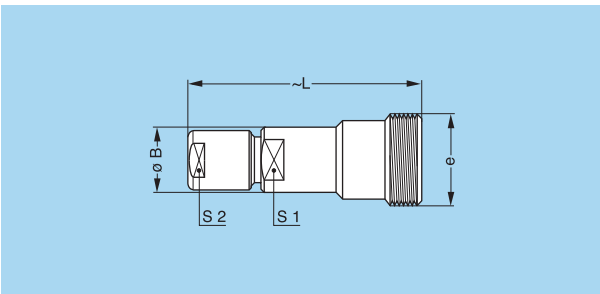


Reference		Dimensions (mm)									
Model	Series	A	B	e	E	L	M	N	S1	S3	S4
PSN	0V	19	19.2	M14x1.0	5.5	34.0	2.0	8.0	12.5	7	17
PSN	1V	21	21.5	M16x1.0	10.5	46.0	2.0	8.0	14.5	9	19
PSN	2V	26	27.0	M20x1.0	11.0	54.0	2.5	9.0	18.5	12	24
PSN	3V	31	34.0	M24x1.0	15.0	64.0	3.0	9.5	22.5	15	30
PSN	4V	38	40.5	M30x1.0	14.5	75.5	3.5	10.0	28.5	19	36

Panel cut-out (page 15)

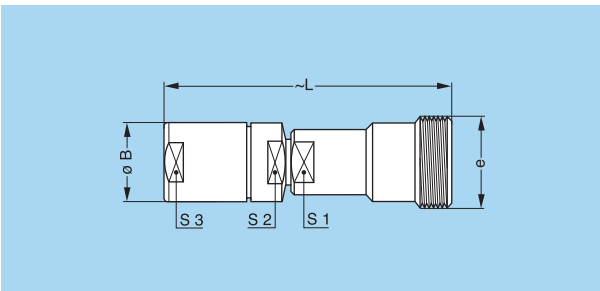
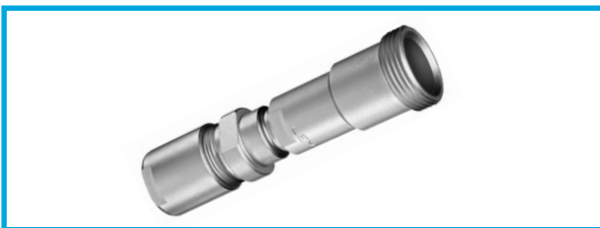
Note: ¹⁾ to order, add a «Z» at the end of the reference. The bend relief must be ordered separately (see pages 141 and 142 of the unipole/multipole catalog).

PVP Free socket with cable collet



Reference		Dimensions (mm)				
Model	Series	B	e	L	S1	S2
PVP	0V	10	M14x1.0	34.0	9	8
PVP	1V	12	M16x1.0	45.0	10	9
PVP	2V	16	M20x1.0	54.0	14	12
PVP	3V	19	M24x1.0	65.0	16	15
PVP	4V	24	M30x1.0	75.5	22	19
PVP	5V	38	M45x1.5	95.0	34	30

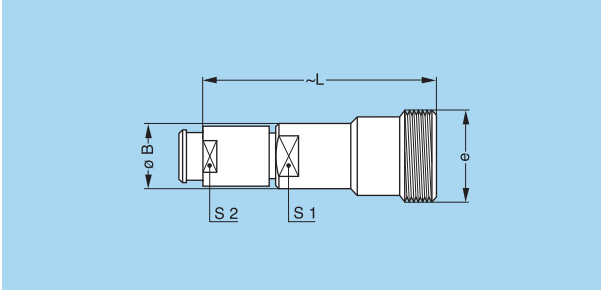
PVP Free socket with oversize cable collet ¹⁾



Reference		Dimensions (mm)					
Model	Series	B	e	L	S1	S2	S3
PVP	1V	14.5	M16x1.0	58	10	12	12
PVP	2V	17.0	M20x1.0	67	14	15	15
PVP	3V	22.0	M24x1.0	84	16	19	19
PVP	4V	36.0	M30x1.0	109	22	30	32

Note: ¹⁾ correspond to K type of collet, the fitting of oversize collets onto this model allows them to be fitted to the cables that can be accommodated by the next housing size up (see page 13).

PVP Free socket, cable collet and nut for fitting a bend relief ¹⁾



Reference		Dimensions (mm)				
Model	Series	B	e	L	S1	S2
PVP	0V	10	M14x1.0	34.0	9	7
PVP	1V	12	M16x1.0	46.0	10	9
PVP	2V	16	M20x1.0	54.0	14	12
PVP	3V	19	M24x1.0	64.0	16	15
PVP	4V	24	M30x1.0	75.5	22	19

Note: ¹⁾ to order, add a «Z» at the end of the reference.
The bend relief must be ordered separately (see pages 141 and 142 of the unipole/multipole catalog).

Insert configuration

Unipole

Number of LV contacts	Solder contacts		Reference	Watertight	Contact ø (mm)	Solder	AWG solder (max.)	Test voltage (kV rms) ¹⁾	Test voltage (kV dc) ¹⁾	Rated current (A) ¹⁾
1			116	0V	1.6	● ²⁾	18	1.5	2.1	12
				120	1V	2.0	● ²⁾	16	1.9	2.7
			130		1V	3.0	●	12	1.5	2.1
				2V	3.0	●	12	2.1	3.0	30
			140	2V	4.0	●	10	1.7	2.4	40
				3V	4.0	●	10	2.3	3.3	43
			160	3V	6.0	●	8	1.7	2.4	65
				4V	6.0	●	8	2.7	3.9	70
			112	5V	12.0	●	0	1.5	2.1	230

Note: ¹⁾ see calculation method, caution and suggested standard. ²⁾ also available with inversed contacts: plug = female, socket = male.

● First choice alternative ○ Special order alternative

Coaxial, Triaxial, Mixed

A wide choice of those types is available, please consult us.

Multipole

Number of LV contacts	Solder contacts		Reference	Watertight	Contact ø (mm)	Contact type				AWG		Test voltage (kV rms) ^{1) 2)}	Test voltage (kV dc) ^{1) 2)}	Rated current (A) ¹⁾	
	Crimp contacts					Solder	Crimp	Print (straight)	Print (elbow)	Solder (max.)	Crimp				
										min.	max.				
2			302	0V	0.9	●	●	●	●	22	32	20	1.1	1.6	10 ³⁾
				1V	1.3	●	●	●	●	20	26	18	1.2	1.8	15 ³⁾
				2V	1.6	●	○	○	○	18	22	14	1.7	2.4	20 ⁴⁾
				3V	2.0	●		○		16			3.0	4.2	23
				4V	4.0	●		○		10			2.1	3.0	35
				5V	6.0	●				8			3.7	5.2	50
3			303	0V	0.7	●	○	●	●	26	32	22	1.0	1.5	7 ³⁾
				1V	0.9	●	○	●	●	22	32	20	1.2	1.8	10 ³⁾
				2V	1.3	●	○	●	○	20	26	18	1.5	2.1	15 ⁴⁾
				3V	2.0	●		○		16			1.5	2.1	20
				4V	3.0	●		○		12			2.1	3.0	25
				5V	1x6.0 2x4.0	●				8 10			3.7	5.2	50 35
4			304	0V	0.7	●	●	●	●	26	32	22	1.0	1.5	7 ³⁾
				1V	0.9	●	●	●	●	22	32	20	1.2	1.8	10 ³⁾
				2V	1.3	●	○	●	●	20	26	18	1.7	2.4	15 ⁴⁾
				3V	2.0	●		○		16			1.5	2.1	18
				4V	3.0	●		○		12			2.1	3.0	22
				5V	4.0	●				10			3.7	5.2	35
5			305	1V	2x0.9 3x0.7	●	○	●	●	22 26	32	20 22	1.5	2.1	10 ³⁾ 7 ³⁾
				2V	1.3	●	○	●	●	20	26	18	1.5	2.1	13 ⁴⁾
				3V	2x2.0 3x1.3	●		○		16 20			1.5	2.1	18 14
				4V	2x3.0 3x2.0	●		○		12 16			2.1	3.0	22 16
				5V	2x4.0 3x3.0	●				10 12			3.0	4.2	35 25

Note: ¹⁾ see calculation method, caution and suggested standard. ²⁾ lowest measured value; contact to contact or contact to shell.
³⁾ rated current = 6A for socket with elbow (90°) contacts for printed circuit. ⁴⁾ rated current = 12A for socket with elbow (90°) contacts for printed circuit.

● First choice alternative ○ Special order alternative



Multipole

Number of LV contacts	Solder contacts		Reference	Watertight	Contact ø (mm)	Contact type				AWG		Test voltage (kV rms) ^{1) 2)}	Test voltage (kV dc) ^{1) 2)}	Rated current (A) ¹⁾		
	Crimp contacts					Solder	Crimp	Print (straight)	Print (elbow)	Solder (max.)	Crimp					
										min.	max.					
6			306	0V	0.5	●	○	●	○	28	32	28	0.9	1.3	2.5	
				1V	0.7	●	○	●	●	26	32	22	1.2	1.7	7 ³⁾	
				2V	1.3	●	● ⁴⁾	●	●	20	26	18	1.5	2.1	12	
				3V	1.3	●		●		20			2.1	3.0	14	
				4V	2.0	●		○		16			2.1	3.0	16	
				5V	3.0	●				12			3.0	4.2	25	
7			307	2V	3x1.3 4x0.9	●	○	●	●	20 22	26 32	18 20	0.8	1.2	12 ³⁾ 9 ³⁾	
				3V	1.3	●		●		20				1.0	1.5	12
				4V	3x2.0 4x1.3	●		○		16 20			2.1	3.0	16 13	
8			308	2V	0.9	●	○	●	●	22	32	20	0.8	1.2	9 ³⁾	
				3V	1.3	●		●	○	20				1.0	1.5	10
				4V	1.3	●		○		20			2.7	3.9	13	
				5V	3.0	●				12			2.1	3.0	22	
9			309	4V	1.3	●		○		20			2.1	3.0	12	
10			310	2V	0.9	●	○	●	●	22	32	20	0.8	1.2	7 ³⁾	
				3V	1.3	●		●	●	20				1.0	1.5	9
10			310	4V	1.3	●		○		20			2.1	3.0	11	
				5V	2.0	●				16				2.1	3.0	18

Note: ¹⁾ see calculation method, caution and suggested standard. ²⁾ lowest measured value; contact to contact or contact to shell.
³⁾ rated current = 6A for socket with elbow (90°) contacts for printed circuit. ⁴⁾ only for FFL model.

● First choice alternative ○ Special order alternative

Multipole

Number of LV contacts	Solder contacts		Reference	Watertight	Contact ø (mm)	Contact type				AWG		Test voltage (kV rms) ^{1) 2)}	Test voltage (kV dc) ^{1) 2)}	Rated current (A) ¹⁾	
						Solder	Crimp	Print (straight)	Print (elbow)	Solder (max.)	Crimp				
	Crimp contacts									min.	max.				
12			312			●		●	●	22			1.5	2.1	8
					3V	0.9									
12			312			●		○		20			2.1	3.0	9
					4V	1.3									
12			312			●				16			2.1	3.0	18
					5V	2.0									
13			313			●		●	○	22			1.5	2.1	8
					3V	0.9									
14			314			●		●	●	22			1.5	2.1	7
					3V	0.9									
14			314			●		○		20			2.1	3.0	9
					4V	1.3									
14			314			●				12 16			1.8	2.4	20 15
					5V	2X3.0 12X2.0									

Note: ¹⁾ see calculation method, caution and suggested standard. ²⁾ lowest measured value; contact to contact or contact to shell.

● First choice alternative ○ Special order alternative



Multipole

Number of LV contacts	Solder contacts		Reference	Watertight	Contact ø (mm)	Contact type				AWG		Test voltage (kV rms) ^{1) 2)}	Test voltage (kV dc) ^{1) 2)}	Rated current (A) ¹⁾
						Solder	Crimp	Print (straight)	Print (elbow)	Solder (max.)	Crimp			
	Crimp contacts									min.	max.			
16			316											
				3V	0.9	●		●	●	22			1.0	1.5
				4V	0.9	●		○		22		2.1	3.0	7
16			316											
				5V	2.0	●				16			1.8	2.4
18			318											
				3V	0.9	●		●	○	22			1.0	1.5
				4V	0.9	●		○		22		2.1	3.0	7
18			318											
				5V	2x3.0 16x1.6	●				12 18			1.8	2.4
20			320											
				4V		0.9	●		○		22		2.1	3.0
20			320											
				5V		1.6	●				18		1.8	2.4
22			322											
				4V	0.9	●		○		22			2.1	3.0

Note: ¹⁾ see calculation method, caution and suggested standard. ²⁾ lowest measured value; contact to contact or contact to shell.

● First choice alternative ○ Special order alternative

Multipole

Number of LV contacts	Solder contacts		Reference	Watertight	Contact ø (mm)	Contact type				AWG		Test voltage (kV rms) ^{1) 2)}	Test voltage (kV dc) ^{1) 2)}	Rated current (A) ¹⁾	
						Solder	Crimp	Print (straight)	Print (elbow)	Solder (max.)	Crimp				
	Crimp contacts									min.	max.				
22			322		2x3.0	●				12			1.8	2.4	16
					5V	20x1.6				18					
24			324		0.9	●		○		22			2.1	3.0	7
					4V	1.6	●			18				2.7	3.9
30			330		1.3	●				20			1.8	2.4	8
					5V										
36			336		1.3	●				20			1.8	2.4	7
					5V										
40			340		1.3	●				20			1.2	1.8	7
					5V										
44			344		1.3	●				20			1.2	1.8	6
					5V										
48			348		1.3	●				20			1.2	1.8	6
					5V										

Note: ¹⁾ see calculation method, caution and suggested standard. ²⁾ lowest measured value; contact to contact or contact to shell.

● First choice alternative ○ Special order alternative



Collets

C and K type collets

0V, 1V, 2V and 3V series



	Reference		Collet ø		Cable ø	
	Type	Code	ø A	ø B	max.	min.
0V	C	35	4.2	4.2	3.5	3.1
	C	40	4.2	4.2	4.0	3.6
	C	45	5.2	5.2	4.5	4.1
	C	50	5.2	5.2	5.0	4.6
1V	C	35	4.2	–	3.5	3.1
	C	40	4.2	–	4.0	3.6
	C	45	5.2	–	4.5	4.1
	C	50	5.2	–	5.0	4.6
	C	55	6.2	6.2	5.5	5.1
	C	60	6.2	6.2	6.0	5.6
	C	65	7.2	6.7	6.5	6.1
	K	70	7.2	–	7.0	6.6
	K	75	8.2	8.2	7.5	7.1
	K	80	8.2	8.2	8.0	7.6
	K	85	9.2	8.6	8.5	8.1
	2V	C	65	7.2	–	6.5
C		70	7.2	–	7.0	6.6
C		75	8.2	8.2	7.5	7.1
C		80	8.2	8.2	8.0	7.6
C		85	9.2	8.6	8.5	8.1
K		90	9.2	–	9.0	8.6
K		95	10.2	10.2	9.5	9.1
K		10	10.2	10.2	10.0	9.6
K		11	11.2	10.6	10.5	10.1

	Reference		Collet ø		Cable ø	
	Type	Code	ø A	ø B	max.	min.
3V	C	65	7.2	–	6.5	6.1
	C	70	7.2	–	7.0	6.6
	C	75	8.2	–	7.5	7.1
	C	80	8.2	–	8.0	7.6
	C	85	9.2	–	8.5	8.1
	C	90	9.2	–	9.0	8.6
	C	95	10.2	10.2	9.5	9.1
	C	10	10.2	10.2	10.0	9.6
	C	11	11.2	10.6	10.5	10.1
	K	11	12.3	–	12.0	10.6
	K	12	13.8	13.8	12.8	12.1
	K	13	13.8	13.8	13.5	12.9
	K	14	15.3	15.3	14.0	13.6
	K	15	15.3	15.3	15.0	14.1

Note: all dimensions are in millimetres.

C and K type collets

4V and 5V series



4V

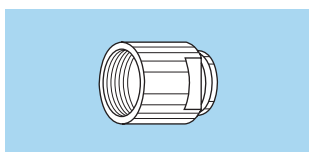
Reference		Collet \varnothing		Cable \varnothing	
Type	Code	$\varnothing A$	$\varnothing B$	max.	min.
C	65	7.3	–	6.5	6.1
C	70	7.3	–	7.0	6.6
C	75	8.3	–	7.5	7.1
C	80	8.3	–	8.0	7.6
C	85	9.3	–	8.5	8.1
C	90	9.3	–	9.0	8.6
C	95	10.8	–	9.5	9.1
C	10	10.8	–	10.5	9.6
C	11	12.3	–	12.0	10.6
C	12	13.8	13.8	12.8	12.1
C	13	13.8	13.8	13.5	12.9
C	14	15.3	15.3	14.0	13.6
C	15	15.3	15.3	15.0	14.1
K	16	17.8	–	16.5	15.6
K	17	17.8	–	17.5	16.6
K	18	19.8	–	18.5	17.6
K	19	19.8	–	19.5	18.6
K	20	21.8	–	20.5	19.6
K	21	21.8	–	21.5	20.6
K	22	23.8	23.8	22.5	21.6
K	23	23.8	23.8	23.5	22.6

5V

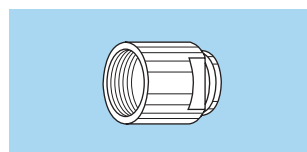
Reference		Collet \varnothing		Cable \varnothing	
Type	Code	$\varnothing A$	$\varnothing B$	max.	min.
C	14	15.8	–	14.5	13.6
C	15	15.8	–	15.5	14.6
C	16	17.8	–	16.5	15.6
C	17	17.8	–	17.5	16.6
C	18	19.8	–	18.5	17.6
C	19	19.8	–	19.5	18.6
C	20	21.8	–	20.5	19.6
C	21	21.8	–	21.5	20.6
C	22	23.8	23.8	22.5	21.6
C	23	23.8	23.8	23.5	22.6

Variant

Bend relief for models with collet



	Ref.	Collet	
		Type	Code
0V	Z	C	35 to 50
		K	70 to 85
1V	Z	C	35 to 65
		K	70 to 85
2V	Z	C	65 to 85
		K	90 to 10



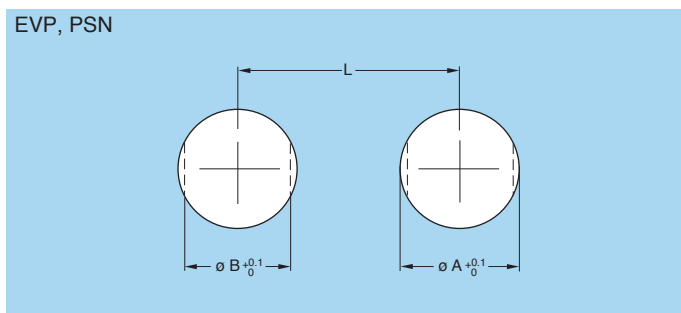
	Ref.	Collet	
		Type	Code
3V	Z	C	65 to 10
		K	11 to 15
4V	Z	C	65 to 15

Note: The bend relief must be ordered separately (see pages 141 and 142 of the unipole/multipole catalog). All dimensions are in millimetres.

Panel cut-outs

Panel Cut-outs

EVP, PSN



Series	Dimensions (mm)		
	A	B	L
0V	14.1	12.6	19.0
1V	16.1	14.6	21.0
2V	20.2	18.6	25.5
3V	24.2	22.6	30.0
4V	30.2	28.6	37.0
5V	45.2	42.6	53.0

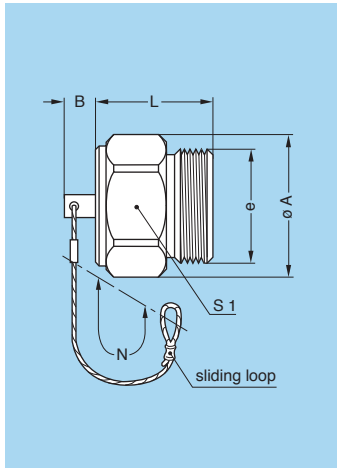
Mounting nuts torque

Component	Torque (Nm)					
	0V	1V	2V	3V	4V	5V
Collet nut for F●● and P●●	0.7	0.8	2	3	5	8
Mounting hex nut for sockets	5	7	9	12	17	22
Coupling nut	0.7	0.8	2	3	5	8

1N = 0.102 kg

Accessories

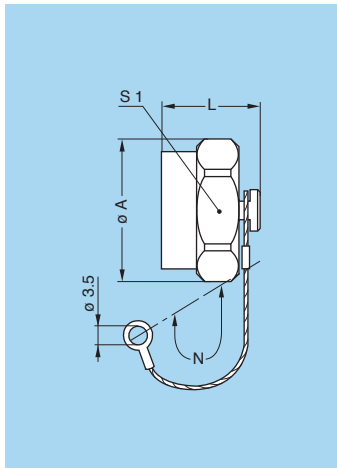
BFA Plug caps (IP68 and resistance to hydrostatic pressure 30 bars)



Part number	Series	Dimensions (mm)					
		A	B	e	L	N	S1
BFA.0V.100.●AZ	0V	17.2	6	M14x1.0	12.5	85	16
BFA.1V.100.●AZ	1V	19.3	6	M16x1.0	15.5	85	18
BFA.2V.100.●AZ	2V	23.5	6	M20x1.0	17.5	85	22
BFA.3V.100.●AZ	3V	27.8	6	M24x1.0	22.0	120	26
BFA.4V.100.●AZ	4V	34.3	10	M30x1.0	22.5	120	32
BFA.5V.100.●AZ	5V	50.0	10	M45x1.5	27.0	120	47

- Body material: ● = N, nickel-plated brass (Ni 3µm)
● = S, stainless steel
- Lanyard material: Stainless steel
- Crimp ferrule material: Nickel-plated brass

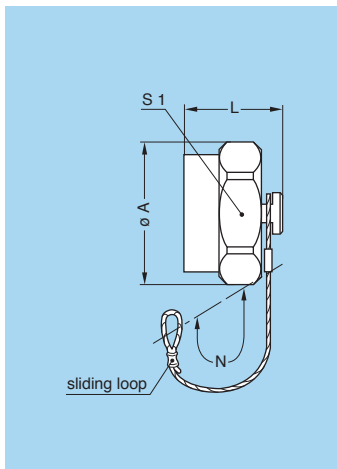
BRE Blanking caps for fixed sockets (This cap is only IP68 when installed)



Part number	Series	Dimensions (mm)			
		A	L	N	S1
BRE.0V.200.●AV	0V	17.2	13.7	85	16
BRE.1V.200.●AV	1V	19.3	13.7	85	18
BRE.2V.200.●AV	2V	23.5	14.7	85	22
BRE.3V.200.●AV	3V	27.8	14.7	120	26
BRE.4V.200.●AV	4V	34.3	14.7	120	32
BRE.5V.200.●AV	5V	50.0	16.2	120	47

- Body material: ● = N, nickel-plated brass (Ni 3µm)
● = S, stainless steel
- Lanyard material: Stainless steel
- Crimp ferrule material: Nickel-plated brass
- O-ring: FPM (Viton®)

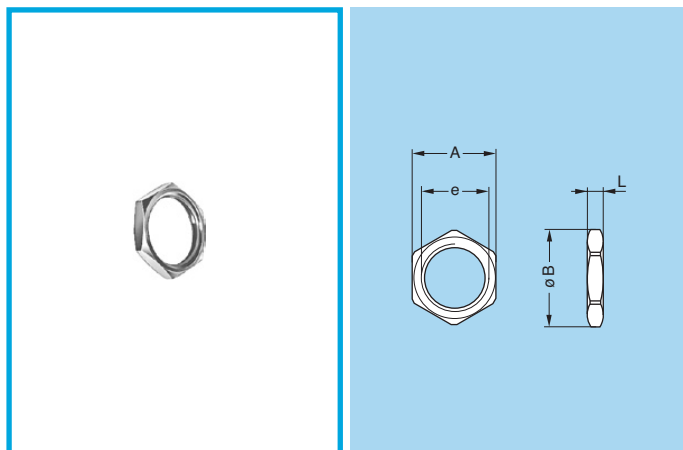
BRF Blanking caps for free sockets (This cap is only IP68 when installed)



Part number	Series	Dimensions (mm)			
		A	L	N	S1
BRF.0V.200.●AV	0V	17.2	13.7	85	16
BRF.1V.200.●AV	1V	19.3	13.7	85	18
BRF.2V.200.●AV	2V	23.5	14.7	85	22
BRF.3V.200.●AV	3V	27.8	14.7	120	26
BRF.4V.200.●AV	4V	34.3	14.7	120	32
BRF.5V.200.●AV	5V	50.0	16.2	120	47

- Body material: ● = N, nickel-plated brass (Ni 3µm)
● = S, stainless steel
- Lanyard material: Stainless steel
- Crimp ferrule material: Nickel-plated brass
- O-ring: FPM (Viton®)

GEA Hexagonal nuts

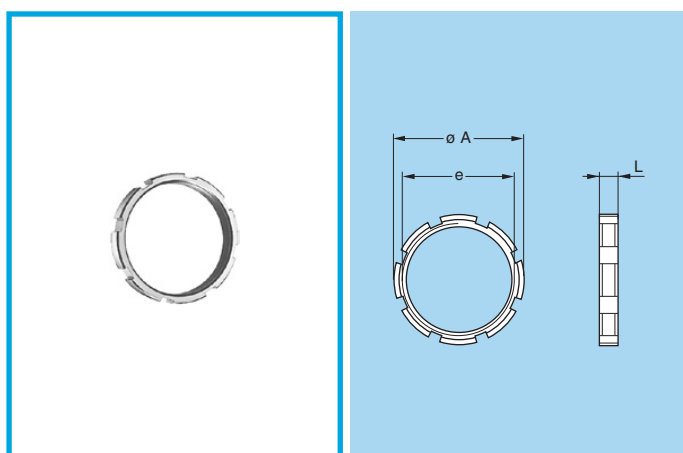


Part number	Series	Dimensions (mm)			
		A	B	e	L
GEA.0E.240.LN	0V	17	19.2	M14 x 1.00	2.5
GEA.1E.240.LN	1V	19	21.5	M16 x 1.00	3.0
GEA.2E.240.LN	2V	24	27.0	M20 x 1.00	4.0
GEA.3E.240.LN	3V	30	34.0	M24 x 1.00	5.0
GEA.4E.240.LN	4V	36	40.5	M30 x 1.00	7.0

Note: to order this part separately, use the above part numbers. The last letters «LN» of the part number refer to the nut material and treatment. If a nut in stainless steel is desired, replace the last letters of the part number by «AZ».

- Material:
 - Nickel-plated brass (3 μ m)
 - Stainless steel

GEB Round nuts

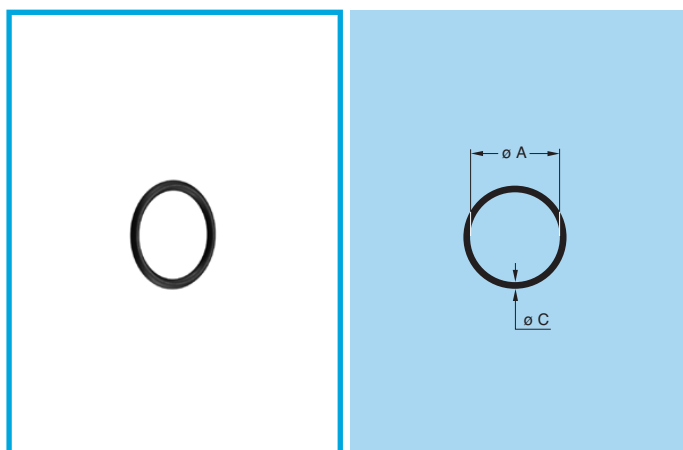


Part number	Series	Dimensions (mm)		
		A	e	L
GEB.5E.240.LN	5V	54	M45 X 1.5	8.0

Note: to order this part separately, use the above part numbers. The last letters «LN» of the part number refer to the nut material and treatment. If a nut in stainless steel is desired, replace the last letters of the part number by «AZ».

- Material:
 - Nickel-plated brass (3 μ m)
 - Stainless steel

GDA O-ring for plug



Part number	Series	Dim. (mm)	
		A	C
GDA.99.080.100VK	0V	8.0	1.0
GDA.99.100.100VK	1V	10.0	1.0
GDA.99.130.150VK	2V	13.0	1.5
GDA.99.165.150VK	3V	16.5	1.5
GDA.99.210.200VK	4V	21.0	2.0
GDA.99.330.250VK	5V	33.0	2.5

- Material: FPM (Viton®)

Cable assembly

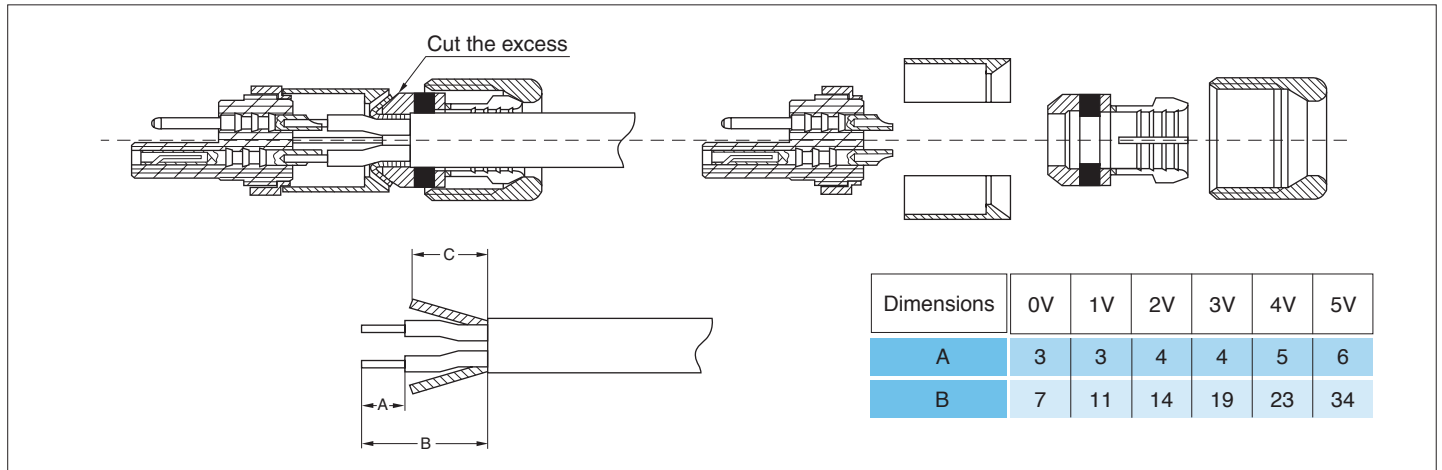
Assembly instructions

In order to ensure the sealing of plugs and sockets on the cable side, it is imperatively necessary to complete their assembly by realizing it with an adapted technique.

We recommend the fitting of an heatshrink boot with inner melting coating of type ATUM (manufactured by the RAYCHEM company) or similar.

This heatshrink boot is not provided with the connector.

For multiconductors cables, the assembly instructions are the followings:



- 1) Preparation and stripping of cable (see above).
- 2) Slide the heatshrink boot over the cable; types and dimensions to have are:

Series	0V	1V	2V	3V	4V	5V
Type of heatshrink boot	12/3-0	12/3-0	19/6-0	19/6-0	24/6-0	40/13-0
Length of the boot	30	35	40	45	50	65
Oversize collet	–	16/4-0	19/6-0	24/8-0	40/13-0	–
Length of the boot for oversize collet	–	–	70	–	–	–

- 3) After having soldered the conductors on the contacts of the plug/socket insulator, bring the earthing cone against the centre-piece. Cut the excess of screen.
- 4) Locate the insulator, the centre-piece, the earthing cone, the gland, the compression ring and the collet in the plug/socket shell.
- 5) Screw the collet nut at the recommended torque value.
- 6) Remove all grease left on plug/socket shells with acetone.
- 7) Place the heatshrink boot of the correct dimensions onto the rear end of the plug/socket against the coupling nut.
- 8) Heat the heatshrink boot until the melting coating totally melts and adheres perfectly onto the cable jacket.

LEMO complete product range

	B	S	K	E	F	00	01	0A	3T	4A	4M	3K.93C	1D	Y	05	5G	2G	2C	L	H	R	N	03	V	W	U	T7	P	D	K/S	01	DIN	
Unipole																																	
Multipole																																	
Coaxial 50 Ω																																	
Coaxial 75 Ω																																	
Multi Coaxial																																	
Mixed Coax + LV																																	
Triaxial 50 Ω																																	
Triaxial 75 Ω																																	
Mixed Triax + LV																																	
Quadrax																																	
High Voltage																																	
Multi High Voltage																																	
Mixed HV + LV																																	
Fibre Optic																																	
Multi Fibre Optic																																	
Mixed FO + LV																																	
Thermocouple																																	
Fluidic																																	
Multi Fluidic																																	
Mixed Fluidic + LV																																	

Most frequently used in darker colour

• included in this catalogue

B Series <small>Keyed</small>	S Series	K Series <small>Keyed</small>	E Series	F Series <small>Keyed</small>	00 Series	01 Series
0A Series	3T Series	4A Series	4M Series <small>Keyed</small>	3K.93C Series <small>Keyed</small>	1D Series	Y Series
05 Series	5G Series <small>Keyed</small>	2G Series <small>Keyed</small>	2C Series	L Series <small>Keyed</small>	H Series	M Series <small>Keyed</small>
R Series <small>Keyed</small>	N Series <small>Keyed</small>	03 Series <small>Keyed</small>	V Series	W Series <small>Keyed</small>	Cable assembly	K/S Series <small>Keyed</small>
REDEL T7 Series	REDEL P Series <small>Keyed</small>	REDEL D Series	01 Series <small>Keyed</small>	VAA Series	SAA Series	TAA Series

No reproduction or use without express permission of editorial or pictorial content, in any manner.
LEMO SA reserves the right to modify and improve specifications, at all times, without any notification.

LEMO HEADQUARTERS

SWITZERLAND

LEMO SA

Chemin des Champs-Courbes 28 - P.O. Box 194 - CH-1024 Ecublens
Tel. (+41 21) 695 16 00 - Fax (+41 21) 695 16 02 - e-mail: info@lemo.com

LEMO SUBSIDIARIES

AUSTRIA

LEMO Elektronik GesmbH

Lemböckgasse 49/E6-3
1230 Wien
Tel: (+43 1) 914 23 20 0
Fax: (+43 1) 914 23 20 11
sales@lemo.at

BRAZIL

LEMO Latin America Ltda

Av. José Rocha Bonfim,
214 Salas 224 / 225
Condomínio Praça Capital
Ed. Chicago
Campinas / SP - Brasil 13080-650
Tel: +55 (11) 98689 4736
info-la@lemo.com

CANADA

LEMO Canada Inc

44 East Beaver Creek Road, unit 20
Richmond Hill, Ontario L4B 1G8
Tel: (+1 905) 889 56 78
Fax: (+1 905) 889 49 70
info-canada@lemo.com

CHINA / HONG KONG

LEMO Electronics (Shanghai) Co., Ltd

First Floor, Block E,
18 Jindian Road, Pudong
Shanghai, China, 201206
Tel: (+86 21) 5899 7721
Fax: (+86 21) 5899 7727
cn.sales@lemo.com

DENMARK

LEMO Denmark A/S

Nybrovej # 97
2820 Gentofte
Tel: (+45) 45 20 44 00
Fax: (+45) 45 20 44 01
info-dk@lemo.com

FRANCE

LEMO France Sàrl

24/28 Avenue Graham Bell
Bâtiment Balthus 4
Bussy Saint Georges
77607 Marne la Vallée Cedex 3
Tel: (+33 1) 60 94 60 94
Fax: (+33 1) 60 94 60 90
info-fr@lemo.com

GERMANY

LEMO Elektronik GmbH

Hanns-Schwindt-Str. 6
81829 München
Tel: (+49 89) 42 77 03
Fax: (+49 89) 420 21 92
info@lemo.de

HUNGARY

REDEL Elektronika Kft

Nagysándor József u. 6-12
1201 Budapest
Tel: (+36 1) 421 47 10
Fax: (+36 1) 421 47 57
info-hu@lemo.com

ITALY

LEMO Italia srl

Viale Lunigiana 25
20125 Milano
Tel: (+39 02) 66 71 10 46
Fax: (+39 02) 66 71 10 66
sales.it@lemo.com

JAPAN

LEMO Japan Ltd

2-7-22, Mita,
Minato-ku, Tokyo, 108-0073
Tel: (+81 3) 54 46 55 10
Fax: (+81 3) 54 46 55 11
lemoinfo@lemo.co.jp

MIDDLE EAST

LEMO Middle East Gen. Trad. LLC

Concorde Tower 6th Floor,
Dubai Media City, P.O. Box 126732
Dubai, United Arab Emirates
Tel: +971 55 222 36 77
info-me@lemo.com

NETHERLANDS / BELGIUM

LEMO Connectors Benelux

De Trompet 1060
1967 DA Heemskerk
Tel: (+31) 251 25 78 20
Fax (+31) 251 25 78 21
info@lemo.nl

NORWAY / ICELAND

LEMO Norway A/S

Soerumsandvegen 69,
1920 Soerumsand
Tel: (+47) 22 91 70 40
Fax: (+47) 22 91 70 41
info-no@lemo.com

SINGAPORE

LEMO Asia Pte Ltd

4 Leng Kee Road,
#06-09 SiS Building
Singapore 159088
Tel: (+65) 6476 0672
Fax: (+65) 6474 0672
sg.sales@lemo.com

SPAIN / PORTUGAL

IBERLEMO SAU

Brasil, 45, 08402 Granollers
Barcelona
Tel: (+34 93) 860 44 20
Fax: (+34 93) 879 10 77
info-es@lemo.com

SWEDEN / FINLAND

LEMO Nordic AB

Gunnebogatan 30, Box 8201
163 08 Spånga
Tel: (+46 8) 635 60 60
Fax: (+46 8) 635 60 61
info-se@lemo.com

SWITZERLAND

LEMO Verkauf AG

Grundstrasse 22 B, 6343 Rotkreuz
Tel: (+41 41) 790 49 40
ch.sales@lemo.com

UNITED KINGDOM

LEMO UK Ltd

12-20 North Street, Worthing,
West Sussex, BN11 1DU
Tel: (+44 1903) 23 45 43
lemouk@lemo.com

USA

LEMO USA Inc

P.O. Box 2408
Rohnert Park, CA 94927-2408
Tel: (+1 707) 578 88 11
(+1 800) 444 53 66
Fax: (+1 707) 578 08 69
info-US@lemo.com

LEMO DISTRIBUTORS

ARGENTINA, AUSTRALIA, BRAZIL, CHILE, COLOMBIA, CZECH REPUBLIC,
GREECE, INDIA, ISRAEL, NEW ZEALAND, PERU, POLAND, RUSSIA,
SOUTH AFRICA, SOUTH KOREA, TAIWAN, TURKEY, UKRAINE

www.lemo.com