



## 18W Medical Grade Adapter



### Features

- Meets DoE Level VI
- IEC60601-1:2005+A1:2012 2xMOPP approved
- IEC60601-1-2 Ed4 2014 compliance
- Meets type BF requirements
- OVP, OCP, SCP, OTP, brown-in and brown out protections
- LPS compliant

### Applications

- CPAP & BIPAP machines
- Medical imaging
- Nebulizers
- Blood pressure monitor

### Safety Approvals

- UL 60601-1
- IEC60601-1

### Mechanical Characteristics

- Length: 82mm (3.23in)
- Width: 43.2mm (1.7in)
- Height: 30mm (1.18in)

### Output Specifications

Model	DC Output Voltage	Load		Ripple <sup>(1)</sup> P-P (max.)	Regulation Line & Load	Case Color
		Min.	Max.			
PMA18A-120PHW	12V	0A	1.5A	150mV	±5%	White

Notes: (1)Test by 20Mhz bandwidth mode hi resolution with 10uF and 0.1uF capacitor

**Input:****AC Input Voltage Rating**

110 to 240V AC

**AC Input Voltage Range**

100 to 240V AC

**AC Input Frequency**

50 to 60Hz

**Input Current**

0.6A ~ 0.25A at 100VAC ~ 240VAC

**Leakage Current**

&lt;100uA at 264VAC/50Hz

**Inrush Current**

80A maximum at 240V AC

(Cold start &amp; at input rated voltage +/-12.5%)

**Output:****Efficiency**

DOE Level VI

**Environmental:****Temperature**

Operation 10°C to +40°C

Non-operation -20°C to +80°C

Relative Humidity 95% RH Max

**Emissions**

Complies with FCC Class B

Complies with EN55032 Class B

**Immunity**

ESD: EN 61000-4-2

RS : EN61000-4-3

EFT/Burst : EN61000-4-4

Surge: EN 61000-4-5

CS : EN61000-4-6

Power Frequency Magnetic Field : EN61000-4-8

Voltage Dips : EN61000-4-11

**Over-Voltage Protection**

16V maximum

**Short-Circuit Protection**

The power supply shall be protected when operating any output in overload condition, or when operating any output in a short. The power supply shall be self-recovering when the fault condition is removed circuit condition.

**Over-Current Protection**

The power supply will be protected when output power at 2.2A(min) of all rated dc output

**Over-Temperature Protection**

Over-temperature protection sensor

**Dielectric Withstand (Hi-pot) Test**

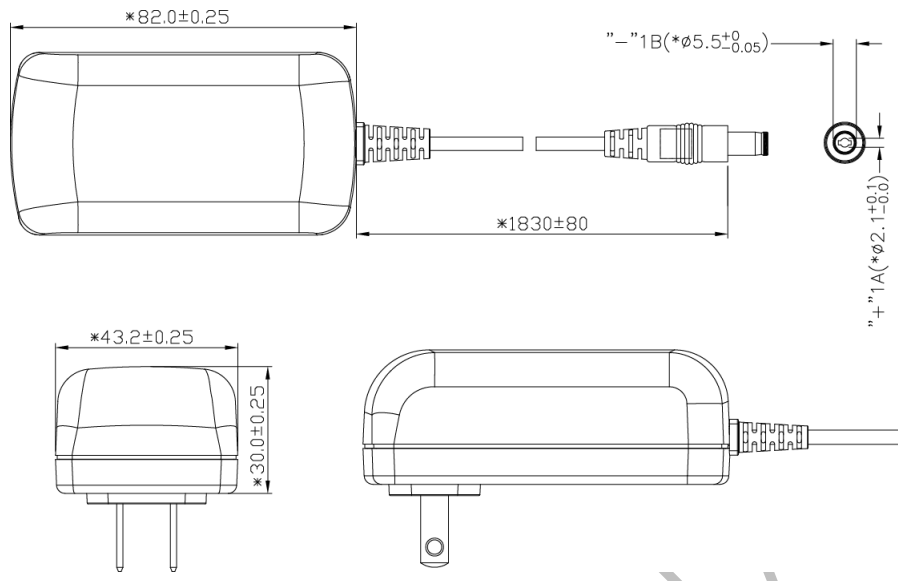
Pri. to Sec. &gt;4000VAC 10mA for 1 Minute

**DC Output Connector**

DC plug type 5.5 x 2.1 x 10mm (fork &amp; groove)

DC plug pin assignment: Inner (+V), Outer GND(-)

Dimension Diagram Unit: mm (inch)



PRELIMINARY