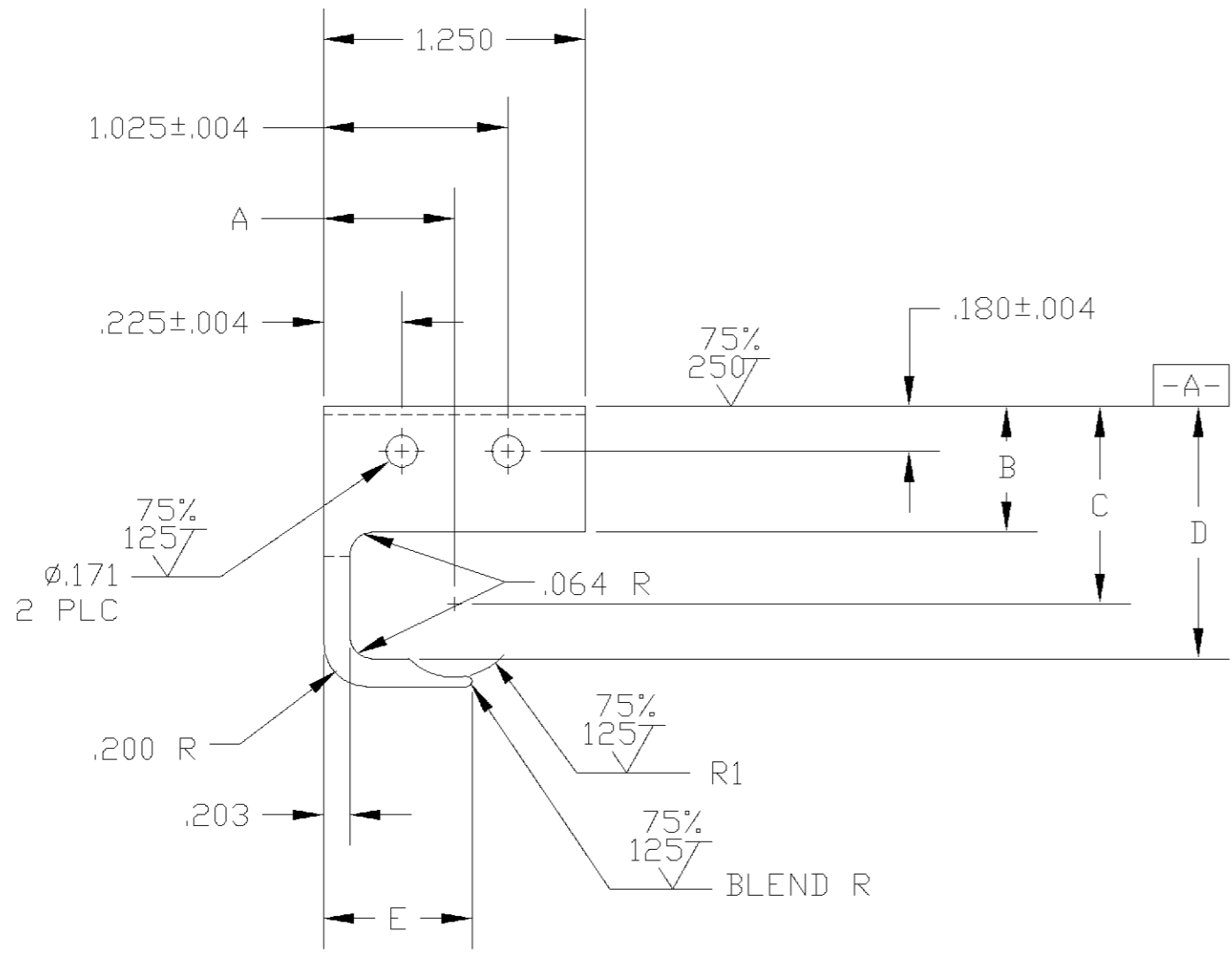


PART NUMBER	REV	FIRST USED	SIZE	TYPE	A	B	C	D	E	F	G	R1
1490357-1	□	1490599-1	4	II	.626	.441	.734	.760	.597	.960	.039	.220
1490357-2	□	1490598-1	6	I	.629	.431	.674	.719	.627	.919	.039	.185
1490357-3	□	1490597-1	8	I	.626	.418	.630	.688	.627	.888	.020	.165

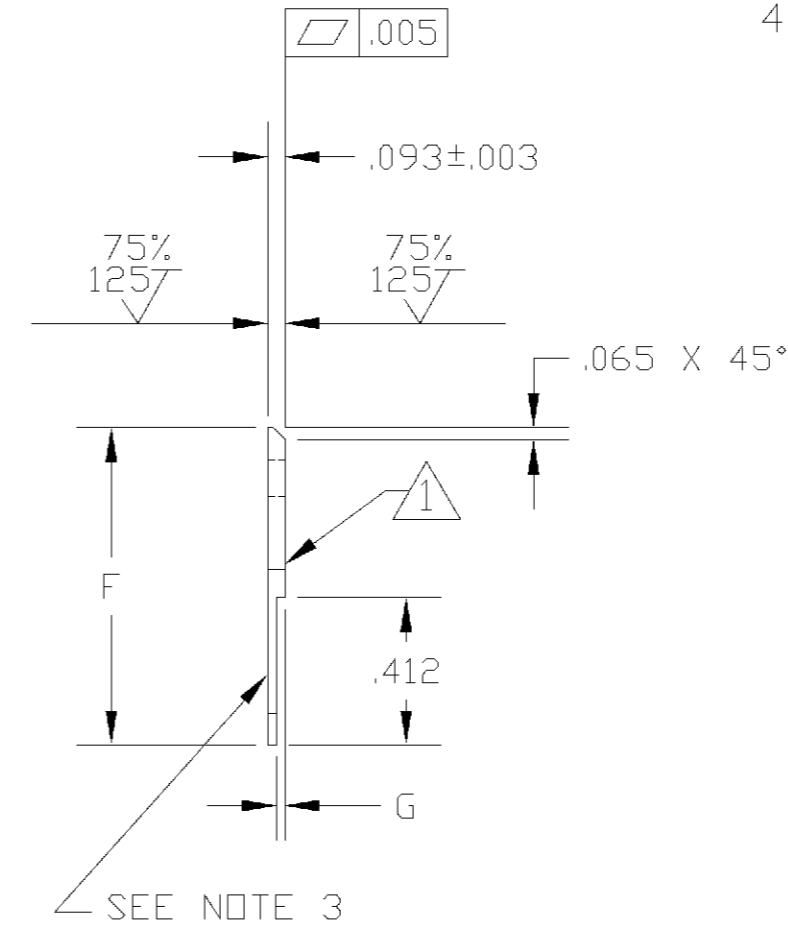
USED ON \_\_\_\_\_

DWG NO 1490357  
THIS DRAWING IS A CONTROLLED DOCUMENT.

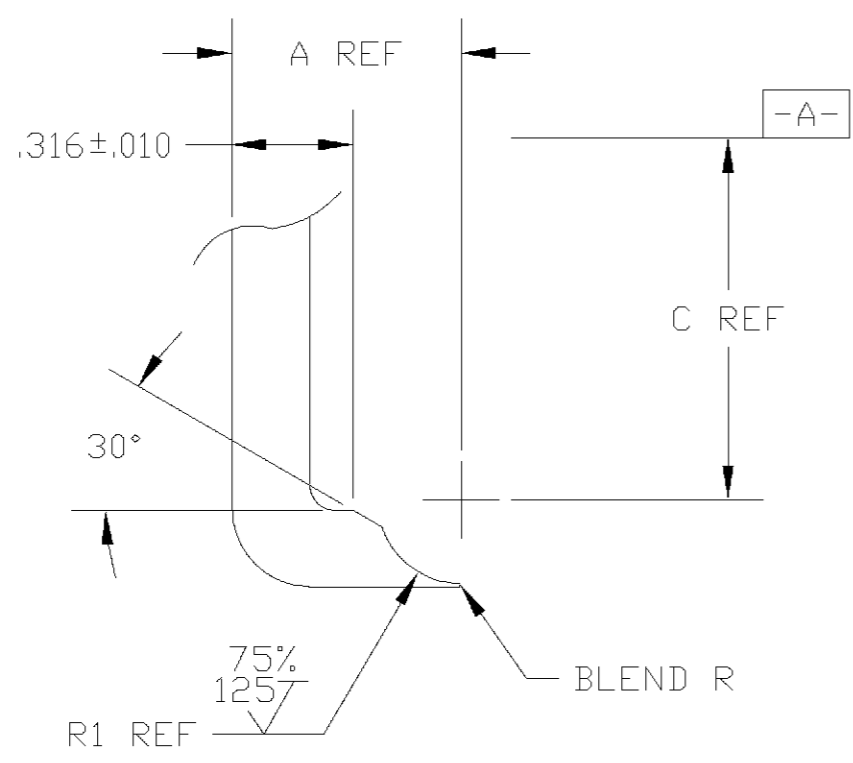
- NOTES:
- IDENTIFY PART PER 115-67-2 IN APPROXIMATE AREA SHOWN.
  - HOLES PER 106-4007.
  - BLANKED EDGE PERMISSIBLE THIS SIDE ONLY.
  - ALL RADII TO BE BLEND RADII UNLESS OTHERWISE SPECIFIED.



TYPE I



TYPE II  
SCALE 2:1



THIS INFORMATION IS CONFIDENTIAL AND PROPRIETARY TO TYCO ELECTRONICS CORPORATION AND ITS WORLDWIDE SUBSIDIARIES AND AFFILIATES. IT MAY NOT BE DISCLOSED TO ANYONE, OTHER THAN TYCO ELECTRONICS PERSONNEL, WITHOUT WRITTEN AUTHORIZATION FROM TYCO ELECTRONICS CORPORATION, HARRISBURG, PENNSYLVANIA USA.

LOC	A
DIST	40

P	LTR	REVISION RECORD	DATE	DWN	APVD

FINISH 112-157-1 BLACKEN		DWN 26DEC00	MATERIAL 100-30 CARBON STEEL	HEAT TREAT 111-30-6 RC 45-50
DIMENSIONS: INCHES		CHK 29NOV01	C. GAVLAK	
TOLERANCES UNLESS OTHERWISE SPECIFIED:		APVD 03MAY02	R. SCHAEFFER	
0 PLC ± - 1 PLC ± - 2 PLC ± .02 3 PLC ± .005 4 FLC ± .0005		NAME LOCATOR		
SCALE 1:1	SIZE A2	DRAWING NO 1490357	SHEET 1 OF 1	REV 03