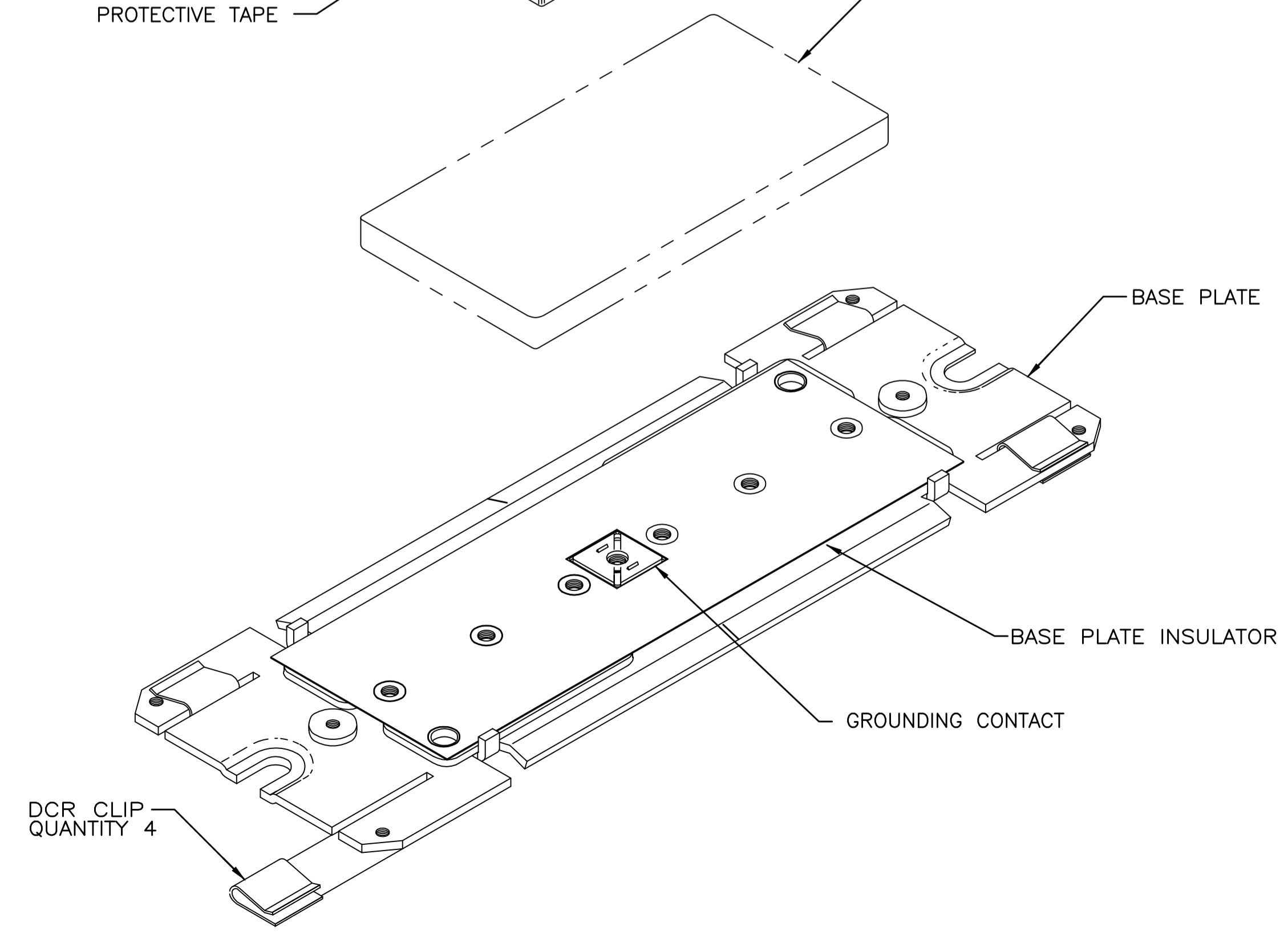
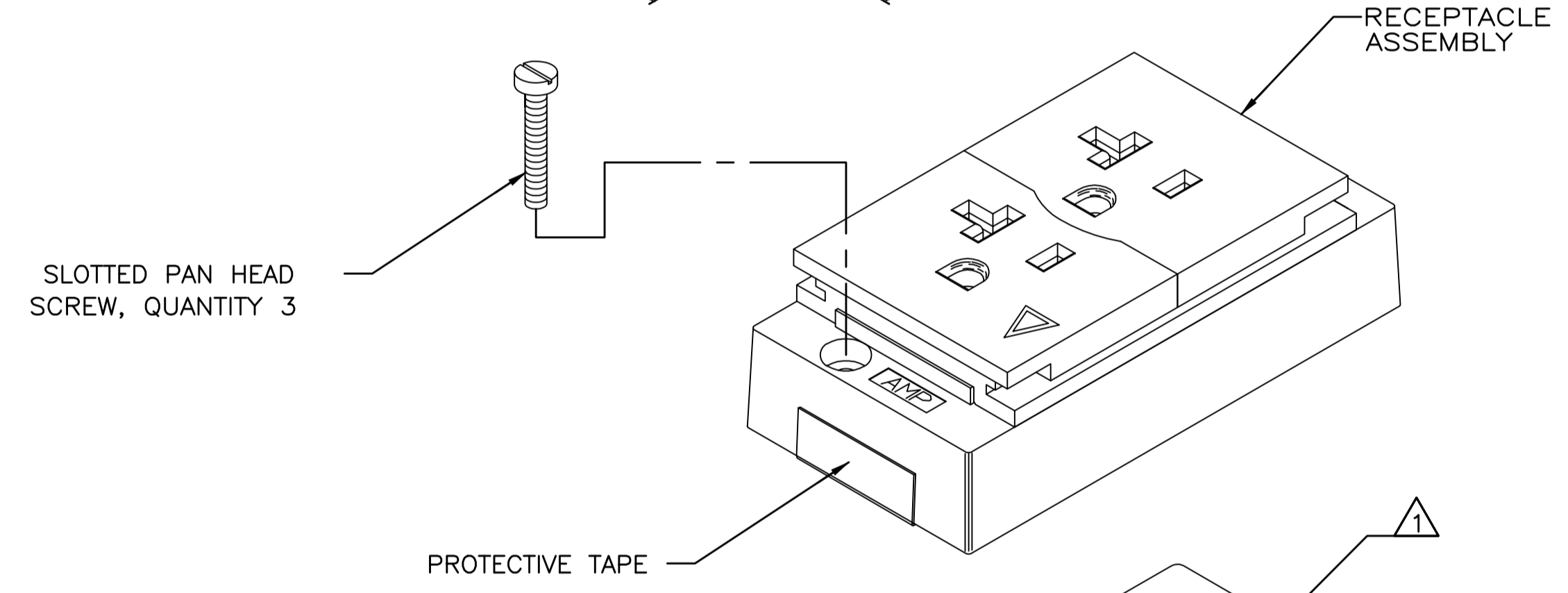
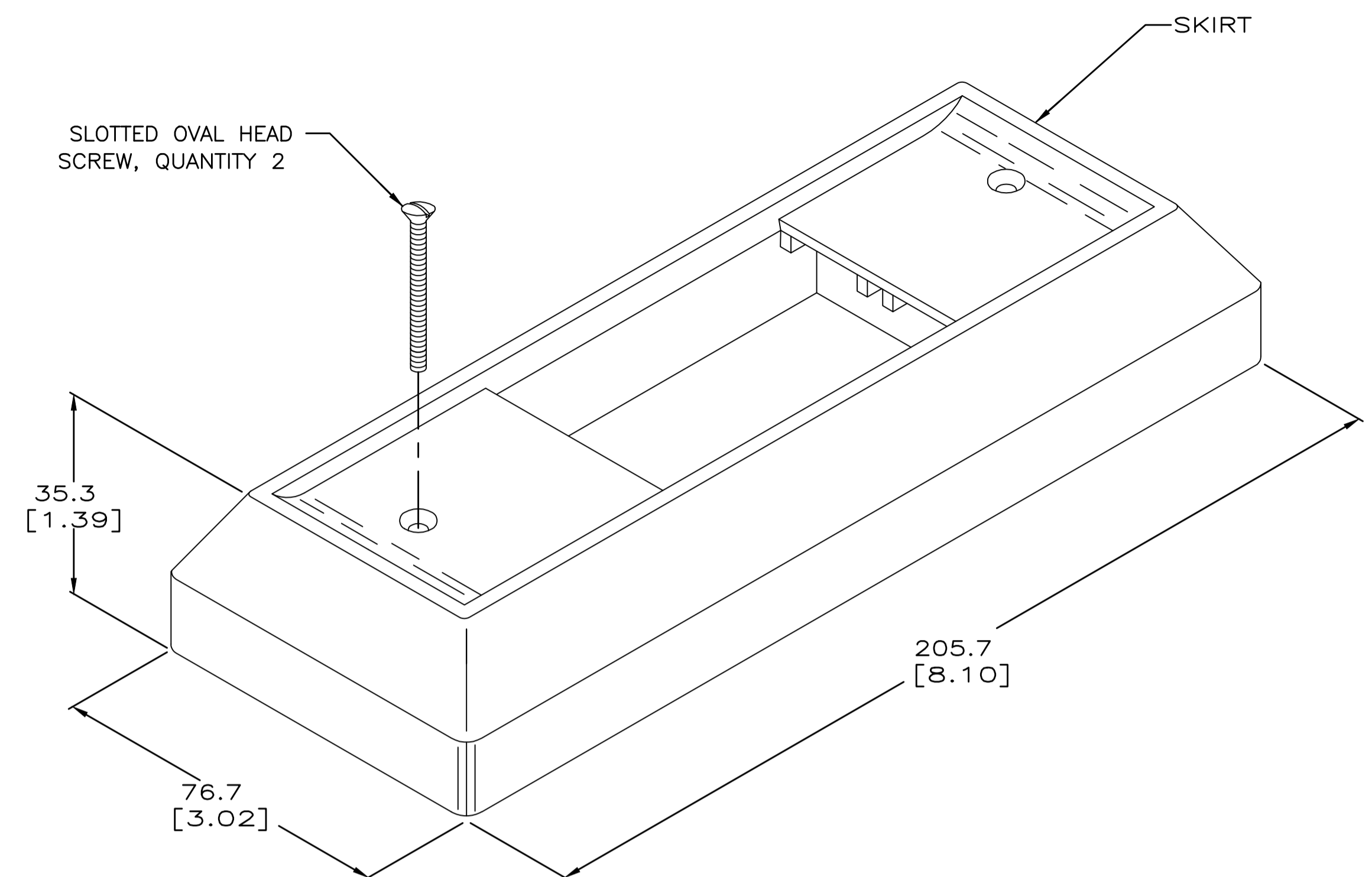


THIS DRAWING IS UNPUBLISHED. RELEASED FOR PUBLICATION
 © COPYRIGHT BY TYCO ELECTRONICS CORPORATION. ALL RIGHTS RESERVED.

LOC		DIST		REVISIONS			
P	LTR	DESCRIPTION	DATE	DWN	APVD		
C1		REV: MCO-40026404MCO	20NOV2015	HG	RA		



- ⚠ ONE ADAPTER HOUSING ASSEMBLY REQUIRED TO COMPLETE TERMINATION.
- ⚠ MATERIAL: SKIRT - ABS MOLDING COMPOUND. RECEPTACLE ASSEMBLY - SLIDING COVER, POLYCARBONATE MOLDING COMPOUND; BASE, PBT MOLDING COMPOUND. BASE PLATE - PREGALVANIZED STEEL. BASE PLATE INSULATOR - VULCANIZED FIBRE. HARDWARE - ZINC PLATED STEEL. DCR CLIP - STAINLESS STEEL. TERMINALS AND GROUNDING CONTACT - COPPER ALLOY.
- ⚠ ALL DIMENSIONS SHOWN ARE MAXIMUM UNLESS OTHERWISE SPECIFIED.
- 4. THIS KIT SHIPPED NOT ASSEMBLED.

THIS DRAWING IS A CONTROLLED DOCUMENT.		DWN D.L. DRUMMOND 6-27-94	BLACK	558650-1
DIMENSIONS: MM [INCHES]		CHK C. WHITT 7-13-94	Tyco Electronics Corporation Harrisburg, PA 17105-3608	
TOLERANCES UNLESS OTHERWISE SPECIFIED:		APVD R. SMITH 7-19-94	NAME DIRECT CONNECTING RECEPTACLE, 5 CONDUCTOR, DUPLEX, 15/20A, IG	
0 PLC ± -	1 PLC ± -	PRODUCT SPEC	SIZE A1	
2 PLC ± -	3 PLC ± -	APPLICATION SPEC	CAGE CODE 00779	DRAWING NO C=558650
4 PLC ± -	ANGLES ± -	WEIGHT	RESTRICTED TO	
MATERIAL		FINISH	CUSTOMER DRAWING	SCALE 1:1 SHEET 1 OF 1 REV C1