

PLEASE CHECK WWW.MOLEX.COM FOR LATEST PART INFORMATION

Part Number: [0571306000](#)
Status: **Active**
Overview: [Application Tooling](#)
Description: Sealing Cap Attachment Tool

Documents:

Tooling Manual (PDF)	Tooling Manual (PDF)
Tooling Specification (PDF)	RoHS Certificate of Compliance (PDF)
Tooling Specification (PDF)	

General

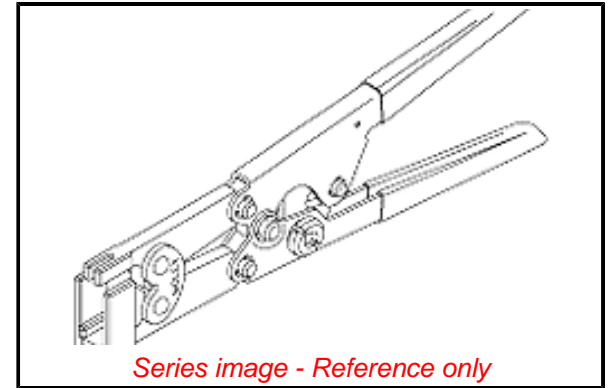
Product Family	Application Tooling
Series	57130
Comments	Cap Push On Hand Tool
Function	Sealing
Geographic Area	Japan
Level of Automation	Manual
More Detailed Tech Information	applicationtooling@molex.com
Overview	Application Tooling
Product Name	N/A
Tool Type	Insertion Hand Tool
UPC	800754361422
Warranty Disclaimer	CAUTION: Molex tooling crimp specifications are valid only when used with Molex terminals and tooling manufactured by Molex and sold by Molex or authorized distributors ("Molex Tooling"). When using tooling other than Molex Tooling with Molex specific connector systems listed in our ATS documents, the Molex tooling qualification does not apply and the responsibility for full qualification of the connector system is that of the customer. Molex accepts no liability for connector performance or tooling support where tooling other than Molex Tooling is used or where Molex Tooling is modified.

Material Info

Reference - Drawing Numbers

Application Tooling Documents

416_57130-6000, 424_57130 57131-6000, ATP-57130-6000E, ATP-57130-6000JE, ATS-57130-6000JE, IS-0035E, IS-0035JE



Series image - Reference only

EU ELV

Not Reviewed

EU RoHS

Not Reviewed

REACH SVHC

Not Reviewed

Halogen-Free

Status

Not Reviewed

Need more information on product environmental compliance?

Email productcompliance@molex.com
Please visit the [Contact Us](#) section for any non-product compliance questions.

China ROHS	Not Reviewed
ELV	Not Reviewed
RoHS Phthalates	Not Reviewed

Search Parts in this Series

[57130 Series](#)

PLEASE CHECK WWW.MOLEX.COM FOR LATEST PART INFORMATION