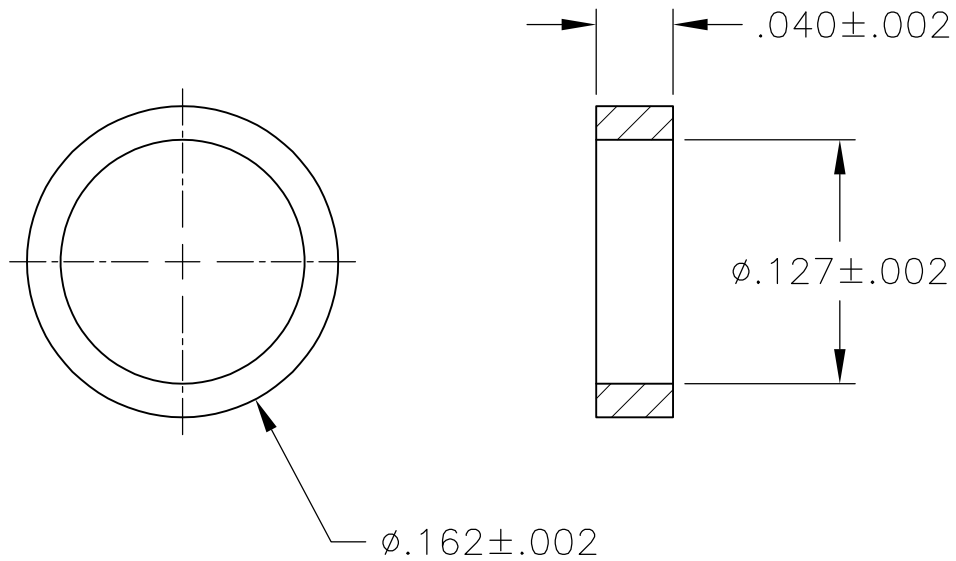


LOC	DIST	REVISIONS					
—	—	P	LTR	DESCRIPTION	DATE	DWN	APVD
			A	RELEASED	3-24-10	CT	DW



1. MAT'L: CONDUCTIVE SILVER FILLED ELASTOMER, FLUOROSILICONE PER MIL-G-83528 TYPE F.
2. REF MA/COM PART NO. 1098-3230-54

THIS DRAWING IS UNPUBLISHED.

ALL INTERNATIONAL RIGHTS RESERVED.

© COPYRIGHT - BY TYCO ELECTRONICS CORPORATION.

1045774-1
PART NO.

DIMENSIONS: INCHES	DWN C.C.THOMAS	3-24-10	MATERIAL	—	FINISH	—
	CHK D.WILSON	3-24-10	Tyco Electronics Corporation Harrisburg, PA 17105-3608			
TOLERANCES UNLESS OTHERWISE SPECIFIED:	APVD D.WILSON	3-24-10				
0 PLC ± -	PRODUCT SPEC	—	NAME GASKET			
1 PLC ± -	APPLICATION SPEC	—	SIZE	CAGE CODE	DRAWING NO	RESTRICTED TO
2 PLC ± -	—	—	A4	00779	C-1045774	—
3 PLC ± .002	WEIGHT	—	CUSTOMER DRAWING			
4 PLC ± -	—	—	SCALE	10:1	SHEET	1 OF 1
ANGLES ± -			REV A			