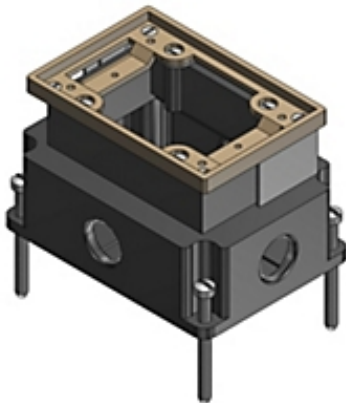




Actual



Representative

**Catalog Number:** 641  
**Product ID:** 7TAA003030R0000  
**UPC Number:** 78599161744  
**Status:** Active

Single Gang Flush Service Floor Box, 35 Cubic Inches, Length 5-1/2 Inches, Width 4 Inches, Depth 3-5/8 Inches, 3/4 Inch Conduit Hubs, Cast Iron

- Cast iron watertight body and painted silver enamel inside and out for additional corrosion resistance
- Interior and exterior leveling screws permit adjustment to finished floor with removable partitions for large capacity requirements on 2, 3 and 4 gang.
- Shipped complete with expendable cap to prevent ingress of concrete during pour.

### North American Specifications (UNSPSC)

UNSPSC	39121307 Floor boxes
IGCC	4432 Floor boxes
Brand Name	Steel City
Type	Flush Service
Special Features	Fully adjustable
Application	Ideal for the modern office with workstations that have power, communications and data equipment
Standard	UL E2969
Material	Cast Iron
Cubic Capacity	35 Cubic Inches

### European Specifications (ETIM)

ETIM	EC000024 Installation box for underfloor-installation
Cover model	Rectangular
Suitable for wet cleaning	N
Suitable for hollow floor	Y
Material	Other
With opening carpeting	N
Min. built-in depth	98.425mm
Colour	Other
Length external dimension	139.7mm
Width outside dimension	101.6mm

### Packaging

Inner Quantity	1
Inner Dimensions (inches)	5.6x5.2x3.8
Outer Quantity	4
Outer Dimensions (inches)	11.125x9x6.5
Weight Uom	4.52 lbs. Each

### Documents / Support Tools

Technical Drawing / Data Sheet US	Available on Website
Technical Drawing / Data Sheet Canada	Available on Website

**For further technical assistance, please contact us...**

Thomas & Betts - USA  
 8155 T&B Blvd.  
 Memphis, TN 38125  
 www.tnb.com

T&B Technical Support  
 MS 3B-50  
 8155 T&B Blvd.  
 Memphis, TN 38125

Hours: 7AM - 6PM CDT  
 Monday-Friday  
 Phone: (888) 862-3289  
 Fax: (901) 252-1321  
 Email:techsupport@tnb.com