

PLEASE CHECK WWW.MOLEX.COM FOR LATEST PART INFORMATION

Part Number: [0879190011](#)
Status: **Active**
Description: 1.00mm Pitch DDR-2 DIMM Socket, 25 Degree Reverse Angle, Through Hole, 240 Circuits, 1.8V Voltage Key, 3.18mm Tail Length, 0.76µm Gold (Au) Plating, Lead-Free

Documents:

[3D Model](#) [Product Specification PS-87919-006 \(PDF\)](#)
[Drawing \(PDF\)](#) [RoHS Certificate of Compliance \(PDF\)](#)

General

Product Family	Memory Module Sockets
Series	87919
Comments	Latches in Off-White Color
Component Type	Socket
JEDEC Outline	MO-237
Product Name	DDR2 DIMM
UPC	822350066877

Physical

Circuits (Loaded)	240
Color - Resin	Black, Natural
Durability (mating cycles max)	25
Entry Angle	25° Angle
Keying to Mating Part	Yes
Material - Plating Mating	Gold
Material - Plating Termination	Tin
Material - Resin	High Temperature Thermoplastic
Net Weight	11.336/g
PC Tail Length	3.18mm
PCB Locator	Yes
PCB Retention	Yes
PCB Thickness - Recommended	2.40mm
Packaging Type	Tray
Pitch - Mating Interface	1.00mm
Plating min - Mating	0.762µm
Plating min - Termination	2.540µm
Temperature Range - Operating	-55°C to +85°C
Termination Interface: Style	Through Hole

Electrical

Current - Maximum per Contact	0.5A
Voltage - Maximum	30V
Voltage Key	1.8V

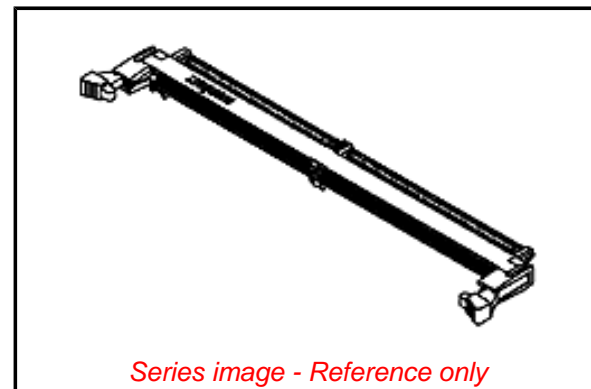
Solder Process Data

Duration at Max. Process Temperature (seconds)	010
Lead-free Process Capability	SMC&WAVE
Max. Cycles at Max. Process Temperature	002
Process Temperature max. C	260

Material Info

Reference - Drawing Numbers

Product Specification	PS-87919-006
Sales Drawing	SD-87919-001



EU ELV

Not Relevant

EU RoHS

Compliant

REACH SVHC

Not Contained Per
-ED/79/2015 (17
December 2015)

Halogen-Free

Status

Not Low-Halogen

Need more information on product environmental compliance?

Email productcompliance@molex.com
Please visit the [Contact Us](#) section for any non-product compliance questions.

China ROHS

ELV

Green Image

Not Relevant

Search Parts in this Series

[87919 Series](#)

Mates With

JEDEC Standard 1.27mm Modules

This document was generated on 02/26/2016

PLEASE CHECK WWW.MOLEX.COM FOR LATEST PART INFORMATION