

**PLEASE CHECK WWW.MOLEX.COM FOR LATEST PART INFORMATION**

**Part Number:** [0446201004](#)  
**Status:** **Active**  
**Overview:** [Modular Jacks and Plugs](#)  
**Description:** Modular Jack, Right Angle, Low Profile, Inverted, 8/8

**Documents:**

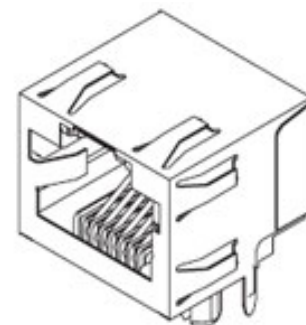
<a href="#">3D Model</a>	<a href="#">Packaging Specification PK-43860-004 (PDF)</a>
<a href="#">Drawing (PDF)</a>	<a href="#">Test Summary TS-43860-001 (PDF)</a>
<a href="#">Product Specification PS-43860-003 (PDF)</a>	<a href="#">RoHS Certificate of Compliance (PDF)</a>
<a href="#">Application Specification AS-43860-001 (PDF)</a>	

**Agency Certification**

UL E107635

**General**

Product Family	Modular Jacks/Plugs
Series	<a href="#">44620</a>
Comments	RJ-11 Keepout Feature, Lightpipes
Component Type	PCB Jack
Magnetic	No
Overview	<a href="#">Modular Jacks and Plugs</a>
Performance Category	3
Power over Ethernet (PoE)	N/A
Product Name	RJ45
UPC	756054511558
<b>Physical</b>	
Boot Color	N/A
Color - Resin	Black, Clear
Durability (mating cycles max)	500
Flammability	94V-0
Inverted / Top Latch	Yes
Jack Height	13.21mm
Keying to Mating Part	None
Lightpipes/LEDs	Lightpipes
Material - Metal	Brass, Phosphor Bronze
Material - Plating Mating	Gold
Material - Plating Termination	Tin
Material - Resin	High Temperature Thermoplastic, Polycarbonate
Orientation	Right Angle (Side Entry)
PCB Locator	Yes
PCB Retention	Yes
PCB Thickness - Recommended	1.57mm
Packaging Type	Tube
Panel Mount	Without Flange
Pitch - Mating Interface	1.02mm
Pitch - Termination Interface	1.02mm
Plating min - Mating	1.270µm
Plating min - Termination	2.540µm
Ports	1
Positions / Loaded Contacts	8/8
Surface Mount Compatible (SMC)	No
Temperature Range - Operating	-40°C to +85°C
Termination Interface: Style	Through Hole
Waterproof / Dustproof	No
Wire/Cable Type	N/A



Series image - Reference only

**EU ELV**

**Not Relevant**

**EU RoHS**

**Not Reviewed**

**REACH SVHC**

Not Reviewed

**Halogen-Free**

**Status**

**Not Reviewed**

**Need more information on product environmental compliance?**

Email [productcompliance@molex.com](mailto:productcompliance@molex.com)  
Please visit the [Contact Us](#) section for any non-product compliance questions.

China ROHS

Not Reviewed

ELV

Not Relevant

**Search Parts in this Series**

[44620](#) Series

**Mates With**

FCC 68 Plugs

**Electrical**

Current - Maximum per Contact	1.5A
Grounding to PCB	Yes
Grounding to Panel	None
Shielded	No
Voltage - Maximum	150V AC (RMS)

**Solder Process Data**

Lead-freeProcess Capability	WAVE
-----------------------------	------

**Material Info****Reference - Drawing Numbers**

Application Specification	AS-43860-001
Packaging Specification	PK-43860-004
Product Specification	PS-43860-003, RPS-43860-004, RPS-43860-007, RPS-43860-008, RPS-43860-013
Sales Drawing	SD-44620-001
Test Summary	TS-43860-001

This document was generated on 06/09/2016

**PLEASE CHECK [WWW.MOLEX.COM](http://WWW.MOLEX.COM) FOR LATEST PART INFORMATION**