

PLEASE CHECK WWW.MOLEX.COM FOR LATEST PART INFORMATION

Part Number: [0783200002](#)
Status: **Active**
Overview: [Micro Serial ATA Connectors](#)
Description: 1.27mm Pitch High Speed Micro Serial ATA Device Receptacle for 45.72mm HDD/SSD, Surface Mount, Right Angle, Top Mount, with Support Rib, Tape on Reel, Lead-Free

Documents:

[3D Model](#) [Packaging Specification PK-78320-002 \(PDF\)](#)
[Drawing \(PDF\)](#) [RoHS Certificate of Compliance \(PDF\)](#)
[Product Specification PS-78320-002-001 \(PDF\)](#)

Agency Certification

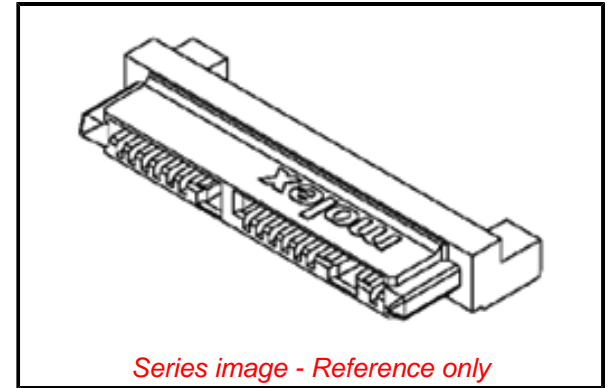
CSA LR19980
 UL E29179

General

Product Family PCB Receptacles
 Series [78320](#)
 Application Board-to-Board, Signal
 Comments With Optional Manufacturing Pins (S1 to S7 and P1 to P9)
With Central Support Rib on Underside of Housing
 Overview [Micro Serial ATA Connectors](#)
 Product Name Micro Serial ATA, Serial ATA
 UPC 883906370312

Physical

Circuits (Loaded) 16
 Circuits (maximum) 16
 Color - Resin Black
 Durability (mating cycles max) 500
 Flammability 94V-0
 Glow-Wire Capable No
 Guide to Mating Part Yes
 Keying to Mating Part Yes
 Lock to Mating Part Yes
 Material - Metal Copper Alloy
 Material - Plating Mating Gold
 Material - Plating Termination Tin
 Material - Resin Nylon
 Net Weight 1.526/g
 Number of Rows 1
 Orientation Right Angle
 PCB Locator Yes
 PCB Retention Yes
 Packaging Type Embossed Tape on Reel
 Pitch - Mating Interface 1.27mm, 5.08mm
 Pitch - Termination Interface 1.27mm, 5.08mm
 Plating min - Mating 0.762µm
 Plating min - Termination 2.540µm
 Polarized to Mating Part Yes
 Polarized to PCB Yes
 Stackable No
 Temperature Range - Operating -40°C to +105°C
 Termination Interface: Style Surface Mount



Series image - Reference only

EU ELV

Not Relevant

EU RoHS

Compliant

REACH SVHC

Not Contained Per -
 ED/30/2017 (7 July
 2017)

Halogen-Free

Status

Not Low-Halogen

Need more information on product environmental compliance?

Email productcompliance@molex.com
 Please visit the [Contact Us](#) section for any non-product compliance questions.

China ROHS

ELV

RoHS Phthalates

Green Image

Not Relevant

Not Contained

Search Parts in this Series

[78320](#) Series

Mates With

[78103](#) , [78283](#) and [78285](#) Micro SATA Device Plugs

Electrical

Current - Maximum per Contact	1.5A
Grounding to PCB	Yes
Voltage - Maximum	30V

Solder Process Data

Duration at Max. Process Temperature (seconds)	010
Lead-free Process Capability	REFLOW
Max. Cycles at Max. Process Temperature	001
Process Temperature max. C	260

Material Info**Reference - Drawing Numbers**

Electrical Model Document	EE-78285-001, EE-78320-001
Packaging Specification	PK-78320-002
Product Specification	PS-78320-002-001
S-Parameter Model	SP-78320-001
Sales Drawing	SD-78320-002

This document was generated on 07/12/2018

PLEASE CHECK WWW.MOLEX.COM FOR LATEST PART INFORMATION