

**PLEASE CHECK WWW.MOLEX.COM FOR LATEST PART INFORMATION**

**Part Number:** [87537-0100](#)  
**Status:** **Active**  
**Overview:** [EBBI™ 50D](#)  
**Description:** 1.27mm Pitch EBBI™ 50D Receptacle, Through Hole, Right Angle, Blind Mate, with Beveled Metal Pin and Plastic Peg, 0.76µm Gold (Au) Selective Plating, 68 Circuits, 3.12mm PC Tail Length, Lead-Free

**Documents:**

[3D Model](#) [Product Specification PS-87537-0001 \(PDF\)](#)  
[Drawing \(PDF\)](#) [RoHS Certificate of Compliance \(PDF\)](#)

**Agency Certification**

CSA LR19980  
 UL E29179

**General**

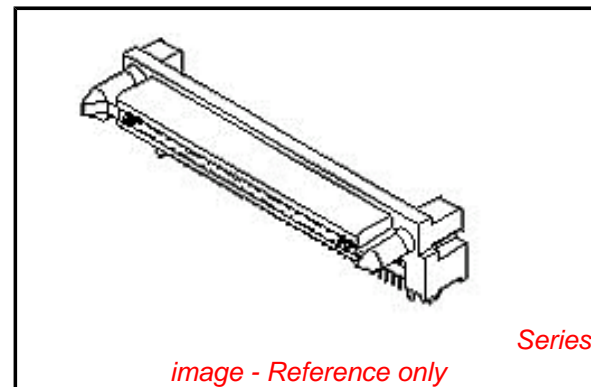
Product Family PCB Receptacles  
 Series [87537](#)  
 Application Board-to-Board, Signal  
 Comments <LI>No Lubricant at the Contact<LI>Z-Height: 8.20mm  
 Overview [EBBI™ 50D](#)  
 Product Name EBBI™  
 UPC 822350342131

**Physical**

Circuits (Loaded) 68  
 Circuits (maximum) 68  
 Color - Resin Black  
 Durability (mating cycles max) 2,000  
 Flammability 94V-0  
 Glow-Wire Compliant No  
 Guide to Mating Part Yes  
 Lock to Mating Part None  
 Material - Metal Phosphor Bronze  
 Material - Plating Mating Gold  
 Material - Plating Termination Tin  
 Material - Resin High Temperature Thermoplastic  
 Net Weight 6.020/g  
 Number of Rows 2  
 Orientation Right Angle  
 PC Tail Length 3.12mm  
 PCB Locator Yes  
 PCB Retention Yes  
 PCB Thickness - Recommended 2.40mm  
 Packaging Type Tray  
 Pitch - Mating Interface 1.27mm  
 Plating min - Mating 0.762µm  
 Plating min - Termination 2.540µm  
 Polarized to Mating Part Yes  
 Polarized to PCB Yes  
 Surface Mount Compatible (SMC) Yes  
 Temperature Range - Operating -40°C to +105°C  
 Termination Interface: Style Surface Mount

**Electrical**

Current - Maximum per Contact 1A



**EU RoHS**

**ELV and RoHS Compliant**

**REACH SVHC**

Not Reviewed

**Low-Halogen Status**

**Not Reviewed**

**China RoHS**



**Need more information on product environmental compliance?**

Email [productcompliance@molex.com](mailto:productcompliance@molex.com)  
 For a multiple part number RoHS Certificate of Compliance, [click here](#)

Please visit the [Contact Us](#) section for any non-product compliance questions.

**Search Parts in this Series**

[87537Series](#)

**Mates With**

[71661 EBBI™ Right Angle Blind Mate Plug](#),  
[EBBI™ Vertical Blind Mate Plug](#)

Voltage - Maximum 30V

**Solder Process Data**

Duration at Max. Process Temperature (seconds) 5  
Lead-free Process Capability SMC & Wave Capable (TH only)  
Max. Cycles at Max. Process Temperature 1  
Process Temperature max. C 265

**Material Info**

**Reference - Drawing Numbers**

Product Specification PS-87537-0001  
Sales Drawing SD-87537-100

This document was generated on 06/30/2014

**PLEASE CHECK [WWW.MOLEX.COM](http://WWW.MOLEX.COM) FOR LATEST PART INFORMATION**