

Product data sheet

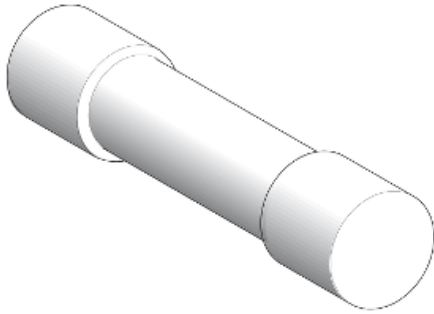
Characteristics

XUZE08

fuse cartridge 5 x 20 - fast blow 0.8 A - without indication

Product availability : Non-Stock - Not normally stocked in distribution facility

Price* : 16.00 USD



Main

Range of product	OsiSense XU
Accessory / separate part category	Fuses
Accessory / separate part type	Fast blow fuse
Accessory / separate part designation	Cartridge fuse
Accessory / separate part destination	Unprotected 2-wire AC/DC sensor
Sale per indivisible quantity	10

Complementary

Product compatibility	XT XS
Line Rated Current	0.8 A
Fuse size	5 x 20 mm
Fuse curve	Fast blow
Local signalling	Without
Product weight	0 lb(US) (0.001 kg)

Ordering and shipping details

Category	22499 - SENSORS ACCESSORIES
Discount Schedule	DS2
GTIN	003389110621198
Nbr. of units in pkg.	10
Package weight(Lbs)	0.01
Returnability	N
Country of origin	FR

Offer Sustainability

RoHS (date code: YYWW)	Will not be compliant Will not be compliant
REACH	Reference not containing SVHC above the threshold

Reference not containing SVHC above the threshold

Contractual warranty

Warranty period	18 months
-----------------	-----------
