

**PLEASE CHECK WWW.MOLEX.COM FOR LATEST PART INFORMATION**

**Part Number:** [0587190020](#)  
**Status:** **Active**  
**Overview:** [HMC Heavy Duty Rectangular Connectors](#)  
**Description:** HMC Rectangular Industrial Panel-Mount Bracket, Multi-Module Type, 48-72 Circuits, Type B Polarization  
**Replacement Part Number:** <http://www.molex.com/molex/products/listview.jsp?channel=Products&sType=p&query=058719002958719-0029>

**Documents:**

<a href="#">3D Model</a>	<a href="#">Product Specification PS-58719-006-001 (PDF)</a>
<a href="#">Drawing (PDF)</a>	<a href="#">Application Specification AS-58723-004-001 (PDF)</a>
<a href="#">Product Specification PS-58719-005-001 (PDF)</a>	<a href="#">RoHS Certificate of Compliance (PDF)</a>

**General**

Product Family	I/O Connectors
Series	<a href="#">58719</a>
Application	Panel-Mount
Component Type	Panel-Mount Bracket
Overview	<a href="#">HMC Heavy Duty Rectangular Connectors</a>
Product Name	HMC
Replacement Part Number	<a href="#">58719-0029</a>
Type	N/A
UPC	800753921085

**Physical**

Boot Color	N/A
Circuits (Loaded)	N/A
Circuits (maximum)	48
Durability (mating cycles max)	50
Gender	Receptacle
Lock to Mating Part	Yes
Material - Plating Mating	N/A
Number of Rows	2
Orientation	Vertical
PCB Locator	No
Packaging Type	Bag
Panel Mount	Screws
Pitch - Mating Interface	N/A
Polarized to Mating Part	Yes
Ports	1
Surface Mount Compatible (SMC)	N/A
Temperature Range - Operating	-55°C to +125°C
Termination Interface: Style	N/A
Waterproof / Dustproof	Yes
Waterproof / Dustproof Type	IP65

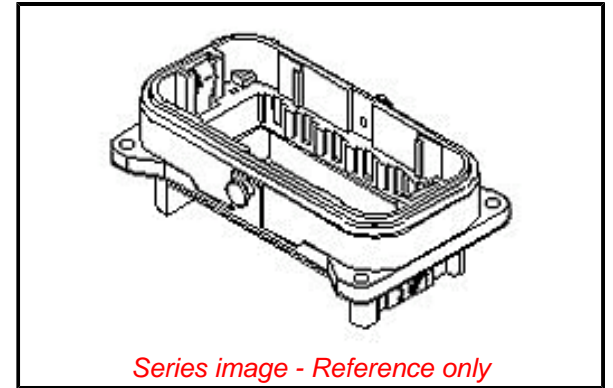
**Electrical**

Current - Maximum per Contact	20.0A
Shield Type	Full Shield
Shielded	Yes
Voltage - Maximum	300V DC

**Material Info**

**Reference - Drawing Numbers**

Application Specification	AS-58723-004-001
Product Specification	PS-58719-005-001, PS-58719-006-001
Sales Drawing	SD-58719-002



**EU ELV**

**Not Relevant**

**EU RoHS**

**Compliant with Exemption 6(b)-II,6(a)-I**

**REACH SVHC**

Not Contained Per - ED/108/2014 (17 Dec 2014)

**Halogen-Free**

**Status**

**Low-Halogen**

**Need more information on product environmental compliance?**

Email [productcompliance@molex.com](mailto:productcompliance@molex.com)  
Please visit the [Contact Us](#) section for any non-product compliance questions.

China ROHS	50 Image
ELV	Not Relevant
RoHS Phthalates	Contained: DEHP

**Search Parts in this Series**

[58719 Series](#)

**Mates With**

[58723 Hood](#), [58721-0020 Hood Bracket](#)

**Use With**

[51202 dust Cover](#), [51194 Housing](#), [51195 Housing](#), [51203 Housing](#), [51204 Housing](#)

This document was generated on 07/12/2018

**PLEASE CHECK [WWW.MOLEX.COM](http://WWW.MOLEX.COM) FOR LATEST PART INFORMATION**