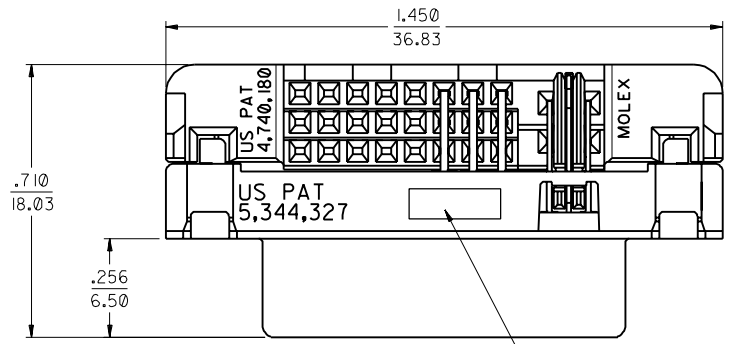
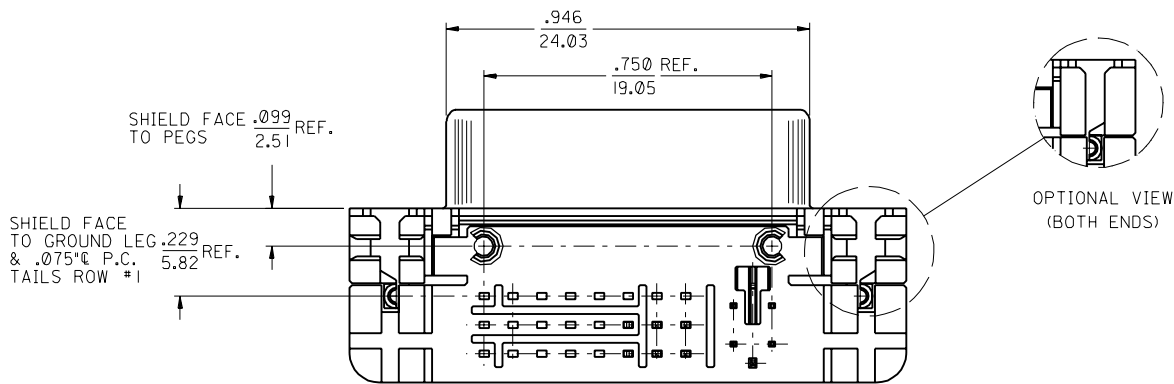
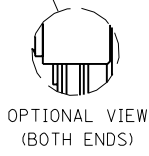
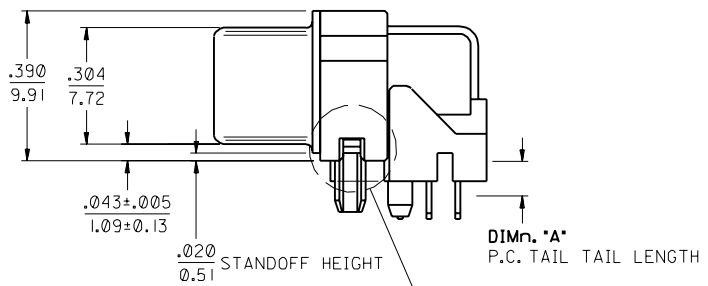
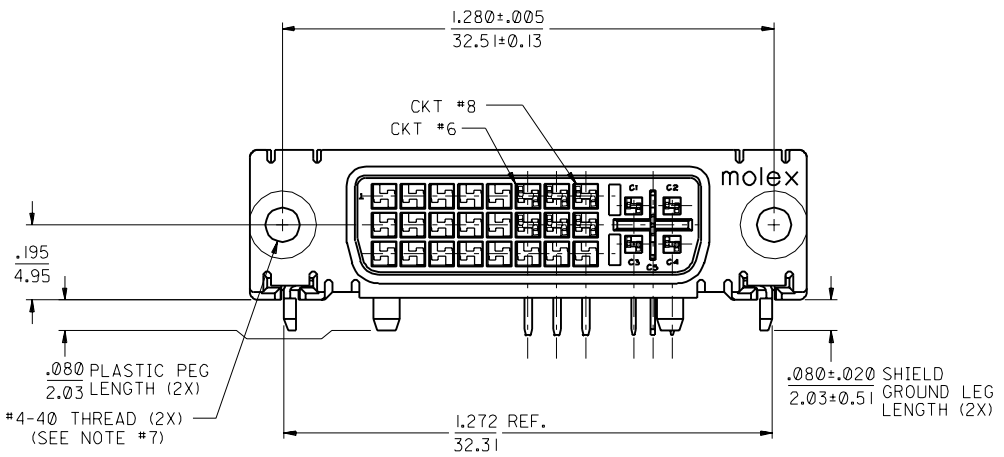


NOTES:

1. MATERIALS:
 SHIELD -- DEEP DRAW STEEL.
 HOUSING -- GLASS FILLED POLYMER, NATURAL (WHITE), UL 94v-0.
 TAIL ALIGNER -- GLASS FILLED POLYMER, NATURAL (WHITE), UL 94v-0.
 CONTACTS -- COPPER ALLOY.
 MICROGROUND -- COPPER ALLOY.
2. PLATING: SEE SHEET 2
3. PRODUCT CONFORMS TO MOLEX PRODUCT SPECIFICATION NUMBER PS-74320-001. REFER TO THIS SPECIFICATION FOR SPACING ON A P.C.B. OF TWO OR MORE CONNECTORS WHEN USING A CABLE OR AN ADAPTER ASSEMBLY.
4. SEE SHEET 2 FOR RECOMMENDED PANEL CUT-OUT AND P.C.B. LAYOUT.
5. PARTS WILL BE PACKAGED IN TRAYS.
6. PRODUCT CONFORMS TO DDWG DVI SPECIFICATION. REFER TO THIS SPECIFICATION FOR CONNECTOR MATING DIMENSIONS.
7. RECOMMENDED MOUNTING HARDWARE IS MOLEX P/N 71781-0001. REFER TO PRODUCT SPECIFICATION NUMBER PS-74320-001 FOR THE APPLICATION TORQUE REQUIREMENT FOR ASSEMBLING MOUNTING HARDWARE.



4-DIGIT DATE CODE (YEAR, WEEK)



PART NUMBER	DIMn "A"	PLATING OPTION
74320-1008	.092/2.34	1
74320-1009	.092/2.34	2
74320-1010	.050/1.27	1
74320-1011	.050/1.27	2

ADDED VIEW	EC No. UDT2000-0818	DESCRIPTION
REV	DRW: SCHMIDG 000306	
	CHK: TMCCLELL 000306	
	APPR: NELSON 000306	
BI		

QUALITY SYMBOLS	GENERAL TOLERANCES: (UNLESS SPECIFIED)
MAJOR $\nabla=0$	mm INCH
CRITICAL $\nabla=0$	4 PLACES ±0. ±.
	3 PLACES ±0. ±.010
	2 PLACES ±0.25 ±.
	1 PLACE ±0. ±.
	ANGULAR: ± 1/2°
	DRAFT WHERE APPLICABLE MUST REMAIN WITHIN DIMENSIONS

SCALE 4 : 1	DESIGN UNITS <input type="checkbox"/> mm <input checked="" type="checkbox"/> INCH
DRAWN BY & DATE KSMITH 99/07/15	
CHECKED BY & DATE DSCHMIDG 99/07/15	
APPROVED BY & DATE RNELSON 99/07/15	
CAD FILENAME	

DIMENSIONS: <input type="checkbox"/> mm <input checked="" type="checkbox"/> INCH <input type="checkbox"/> mm ONLY <input type="checkbox"/> INCH ONLY		SHT 2	REV B
THIRD ANGLE PROJECTION		REVISE ON CAD ONLY	
TITLE: DVI - A RIGHT ANGLE RECEPTACLE CONNECTOR			
MATERIAL NO. SEE CHART		DRAWING NO. SD-74320-017	
SHEET NO. 1 OF 2		SIZE C	