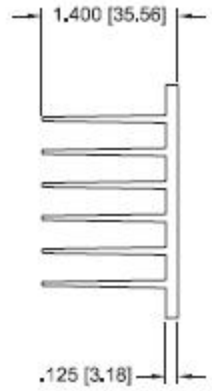
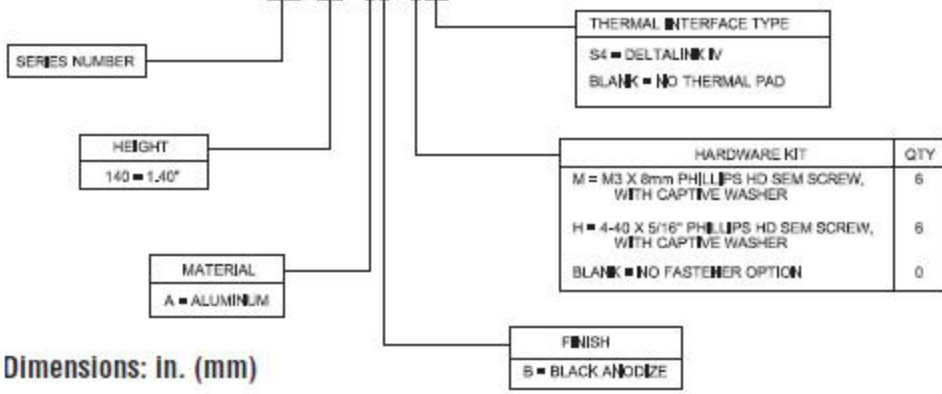


Standard P/N	Footprint Dimensions in. (mm)	Height in. (mm)	Fin Orientation	Number of Fins	Forced Convection Thermal Resistance at 300 ft/min (C/W)	Natural Convection Power Dissipation (Watts) 40°C Rise Heat Sink to Ambient
557-140AB	4.60 (116.8) x 2.40 (61.0)	1.40 (35.6)	Horizontal	6	1.3	14
558-75AB	2.40 (61.0) x 4.60 (116.8)	0.75 (19.1)	Vertical	16	1.8	12
559-50AB	2.40 (61.0) x 4.60 (116.8)	0.50 (12.7)	Vertical	27	10	

MECHANICAL DIMENSIONS

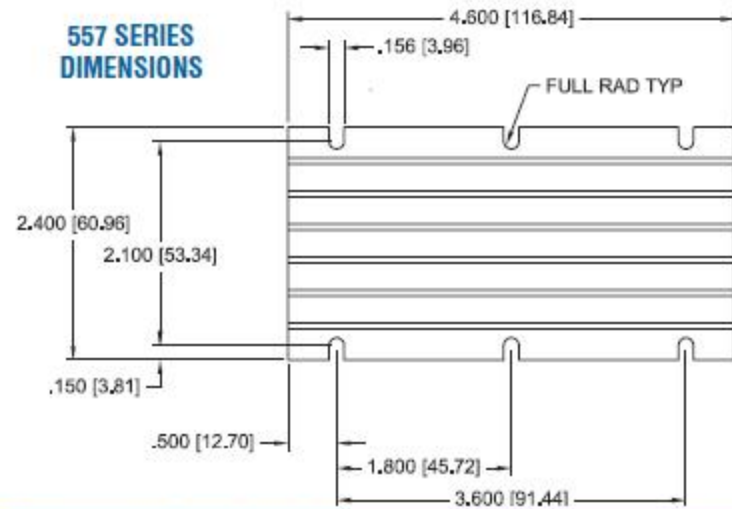
PRODUCT DESIGNATION

SERIES 557 - 140 - AB - MS4



Dimensions: in. (mm)

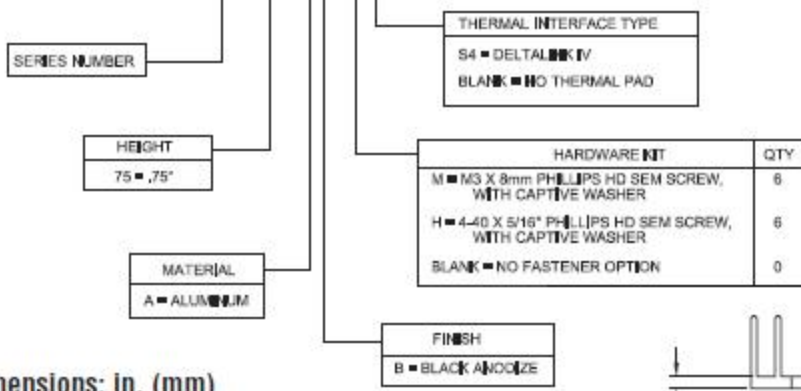
557 SERIES DIMENSIONS



MECHANICAL DIMENSIONS

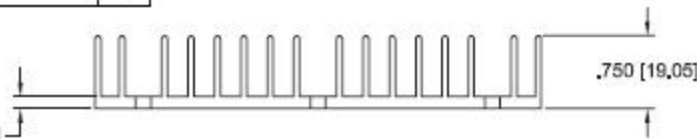
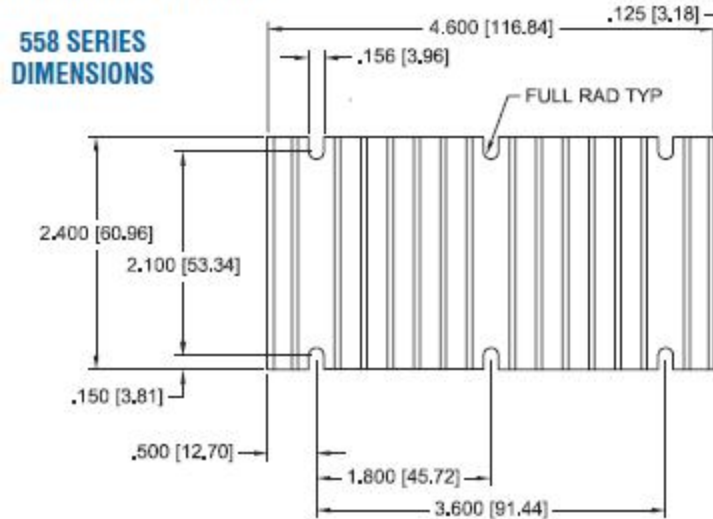
PRODUCT DESIGNATION

SERIES 558 - 75 - AB - MS4



Dimensions: in. (mm)

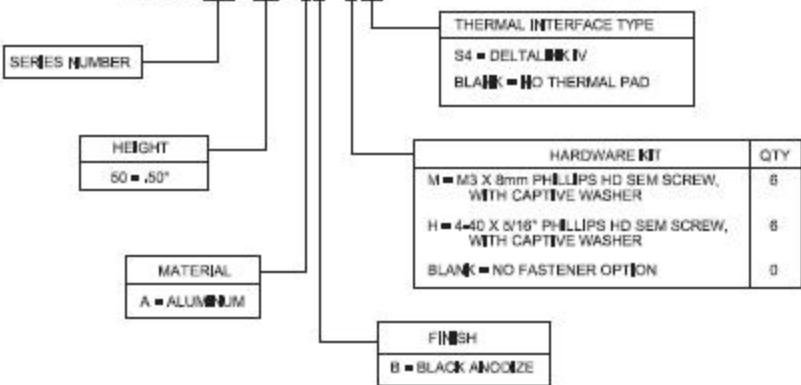
558 SERIES DIMENSIONS



MECHANICAL DIMENSIONS

PRODUCT DESIGNATION

SERIES 559 - 50 - AB - MS4



Dimensions: in. (mm)

559 SERIES DIMENSIONS

