

PLEASE CHECK WWW.MOLEX.COM FOR LATEST PART INFORMATION

Part Number: **0190020048**
Status: **Active**
Overview: Standard Quick-Disconnect Terminals
Description: Avikrimp Fully Insulated Quick Disconnect, Female, for 14-16 AWG Wire, Mylar Tape

Documents:

3D Model	Product Specification PS-19902-014-001 (PDF)
Drawing (PDF)	Product Specification PS-19902-015-001 (PDF)
Product Specification PS-19902-011-001 (PDF)	RoHS Certificate of Compliance (PDF)

Agency Certification

UL E79133

General

Product Family	Quick Disconnects
Series	<u>19002</u>
Crimp Quality Equipment	Yes
Insulated	Fully
Overview	<u>Standard Quick-Disconnect Terminals</u>
Product Name	Avikrimp
Type	Quick Disconnect
UPC	800753027831

Physical

Barrel Type	Closed
Color - Resin	Blue
Flammability	94V-2
Gender	Female
Glow-Wire Capable	Yes
Insulation	Nylon (PA)
Lock to Mating Part	None
Material - Metal	Brass
Material - Plating Mating	Tin
Material - Plating Termination	Tin
Net Weight	0.993/g
Orientation	Straight
Packaging Type	Adhesive Tape on Reel
Polarized to Mating Part	No
Tab Thickness	0.51mm
Tab Width	5.21mm
Temperature Range - Operating	-65°C to +105°C
Wire Insulation Diameter	3.94mm max.
Wire Size AWG	14, 16
Wire Size mm ²	1.30-2.00

Electrical

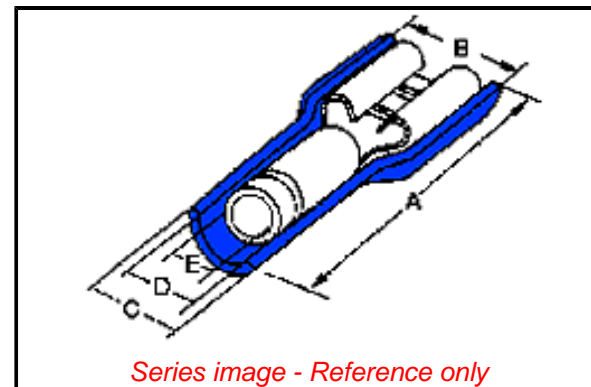
Voltage - Maximum 300V

Material Info

Engineering Number BB-5287T

Reference - Drawing Numbers

Product Specification	PS-19902-011-001, PS-19902-014-001, PS-19902-015-001
Sales Drawing	SD-19002-004



EU ELV

Not Relevant

EU RoHS

Compliant

REACH SVHC

Not Contained Per
-ED/01/2018 (15
January 2018)

Halogen-Free

Status

Low-Halogen

**Need more information on product
environmental compliance?**

Email productcompliance@molex.com
Please visit the [Contact Us](#) section for any
non-product compliance questions.

China ROHS	Not Relevant
ELV	Not Relevant
RoHS Phthalates	Not Contained

Search Parts in this Series

19002 Series

This document was generated on 07/12/2018

PLEASE CHECK WWW.MOLEX.COM FOR LATEST PART INFORMATION