

OPTIMA™ Overcurrent Protection Module with Load Break Disconnect Switch

OPM-SW



Catalog Symbol: OPM-SW
Ampere Rating: 30A Maximum
AC Voltage Rating: 600 Volts (or less)
Horsepower Rating of Switch:

| | | | | | |
|-----|---|-----|-----|-----|-----|
| 3PH | V | 208 | 240 | 480 | 600 |
| HP | | 5 | 7.5 | 15 | 20 |

Short-Circuit Rating: Suitable for use on a circuit capable of delivering not more than 100,000A RMS Sym. 600V max. when protected by 60A Class J or 30A Class CC fuses on the line side of the device.

Agency Approvals:

UL Recognized, UL508, Guide NLRV2, File E161278
CSA Certified, C22.2 No. 39, Class 6225-01, File 47235
Shipping Weight: Approx. 485 grams/1.0 lbs.
Carton Quantity: 1

Physical Characteristics:

- Holds Buss® LP-CC, Class CC fuses.
- Small size matches 45mm IEC starter width.
- Fits #14 - #10 gauge wire, both stranded and solid.
- 3 pole version.
- Phil slot screws.
- Pressure plate terminations.
- Handle and shaft are required for proper operation (see page 2).

Current-Limitation:

- Class CC levels.
- Provides Type 2 protection for motor starters (when used with properly sized LOW-PEAK® Class CC fuses from Bussmann).

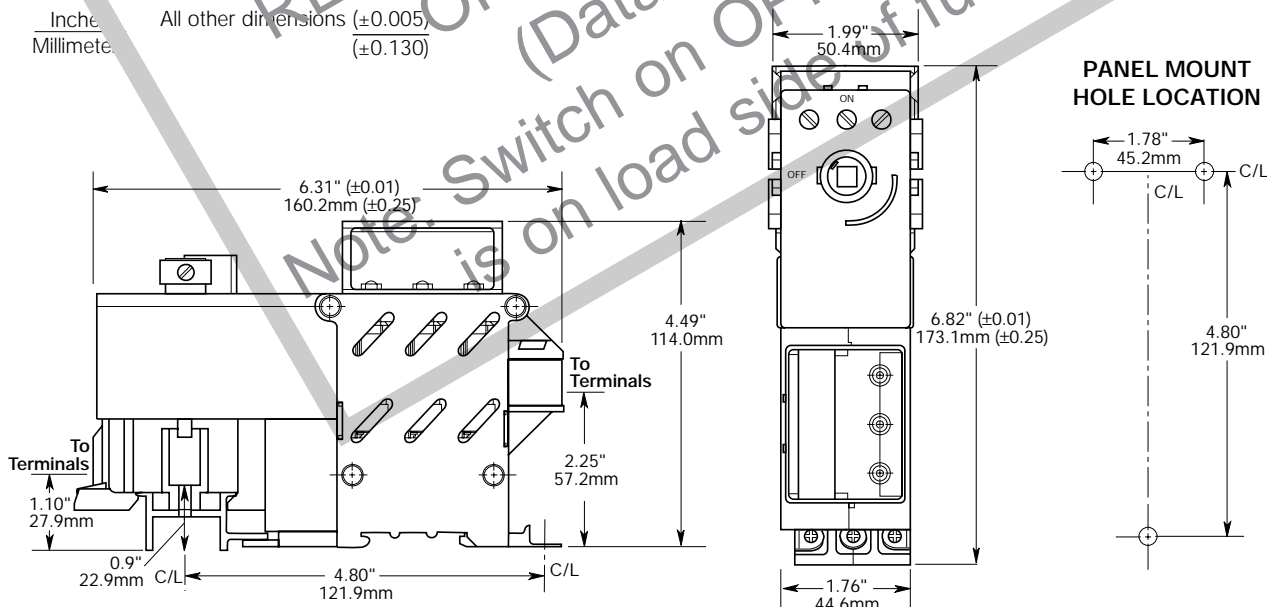
Safety Features:

- Load break. Interlock prevents fuse removal unless switch is in the off position.
- Rejection of non-Class CC fuses.
- Blown fuse indicators.
- Safety handle.
- Finger safe terminals.
- Pull-out module for convenient fuse loading and removal.
- 35mm DIN-rail or screw mount.
- Dead-front construction. No exposed contacts for added safety.
- Radlockable.

CE logo denotes compliance with European Union Low Voltage Directive (50-1000 VAC, 75-1500 VDC). Refer to BIF document #8002 or contact Bussmann Application Engineering at 314-527-1270 for more information. Applies to OPM-1038SW and OPM-1038RSW.

Inches
Millimeter

All other dimensions (±0.005)
(±0.130)



OPTIMA™ Overcurrent Protection Module with Load Break Disconnect Switch

OPM-SW

Ordering Information:

OPM-SW + Handle + Shaft = Complete Disconnect Switch
(without fuses)

1. Select the appropriate handle style (Selector, Pistol, or Rotary).
2. Select the shaft corresponding to the handle type and mounting depth required (no shaft needed for the OPH125).

Handles (□.20" x .20" Shaft Dimension)

| Style | NEMA Type | Color | Length (Inches) | Marking | Padlockable | Defeatable | Catalog Number |
|----------|------------------|---------|-----------------|---------------|-------------|------------|----------------|
| Selector | 1, 3R, 12 | Black | — | Off/On | Yes | No | BDSL105 |
| Selector | 1, 3R, 12 | Red/Yel | — | O/I | Yes | No | BDSL106 |
| Selector | 1, 3R, 12 | Red/Yel | — | Off/On | Yes | No | BDSL107 |
| Pistol | 1, 12 | Black | 3.15 | Off/On | Yes | Yes | BDH47 |
| Pistol | 1, 3R, 12 | Black | 2.36 | Off/On | Yes | Yes | BDH99 |
| Pistol | 1, 3R, 12 | Red/Yel | 2.36 | O/I | Yes | Yes | BDH100 |
| Pistol | 1, 3R, 4, 4X, 12 | Black | 2.36 | Off/On | Yes | No | BDH102 |
| Pistol | 1, 3R, 4, 4X, 12 | Red/Yel | 2.36 | O/I | Yes | No | BDH103 |
| Rotary | 1 | Black | 1.67 | O/I Off/On | Yes | No | OPH125 |

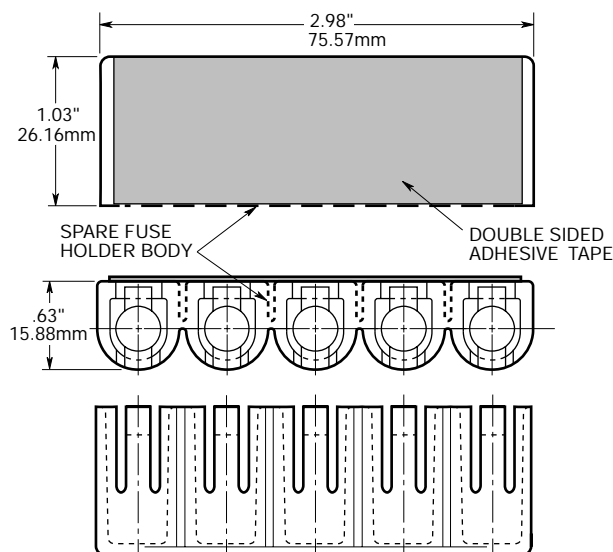
NOTE: OPH125 is a rotary handle that mounts directly to switch.

Extended Shafts (□.20" x .20" Shaft Dimension)

| For Handle Type | Mounting Depth* | Shaft Length | Catalog Number |
|------------------------------|-----------------|--------------|----------------|
| NEMA 1, 3R & 12 Selector | 3.74 - 4.33 | 2.76 | BDS70 |
| | 4.52 - 5.71 | 3.54 | BDS90 |
| | 5.31 - 6.50 | 4.33 | BDS110 |
| | 6.88 - 8.06 | 5.91 | BDS150S |
| | 8.07 - 9.25 | 7.09 | BDS180 |
| NEMA 1, 3R 4, 4X & 12 Pistol | 11.02 - 14.16 | 12.01 | BDS305 |
| | 6.89 - 7.48 | 5.91 | BDS150P |
| | 7.67 - 8.27 | 6.69 | BDS170 |
| | 11.42 - 12.00 | 10.43 | BDS265 |
| | 16.72 - 17.32 | 15.75 | BDS400 |

*Mounting depth is the distance from the outside of the door to the disconnect switch mounting plate. Shaft can be cut to desired length.

Spare Fuseholder: Part No. 5TPH



Available only in bulk quantities.

The only controlled copy of this BIF document is the electronic read-only version located on the Bussmann Network Drive. All other copies of this document are by definition uncontrolled. This bulletin is intended to clearly present comprehensive product data and provide technical information that will help the end user with design applications. Bussmann reserves the right, without notice, to change design or construction of any products and to discontinue or limit distribution of any products. Bussmann also reserves the right to change or update, without notice, any technical information contained in this bulletin. Once a product has been selected, it should be tested by the user in all possible applications.