

Main

Range of product	Harmony 9001K
Product or component type	Contact block with protected terminals
Device short name	9001K

Complementary

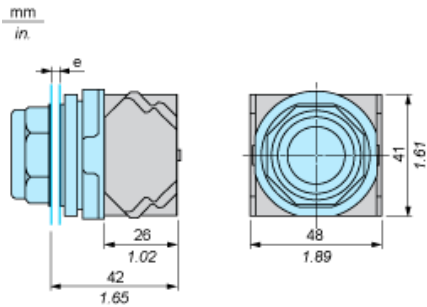
Product weight	0.045 kg
Contacts operation	Logic reed
Contacts usage	Hermetically sealed contacts
Positive opening	Without
Connections - terminals	Screw clamp terminals (1 x 0.22...2 x 1.5 mm ²) conforming to IEC 60947-1
Tightening torque	0.8 N.m conforming to IEC 60947-1
Shape of screw head	Cross slotted head
Contacts material	Silver alloy contacts
Short circuit protection	10 A cartridge fuse conforming to IEC 60947-5-1
[I _{th}] conventional free air thermal current	10 A
[U _i] rated insulation voltage	250 V (degree of pollution: 3) conforming to IEC 60947-1
[U _{imp}] rated impulse withstand voltage	2.5 kV conforming to IEC 60947-1
[I _e] rated operational current	0.55 A at 125 V DC-13, A600-Q600 conforming to NEMA 3 A at 240 V AC-15, A600-Q600 conforming to NEMA
[I _{cm}] rated short-circuit making capacity	<= 0.55 kA at 125 V DC-13 <= 0.27 kA at 250 V DC-13 <= 60 kA at 120 V AC-15, 7200 VA <= 30 kA at 240 V AC-15, 7200 VA <= 15 kA at 480 V AC-15, 7200 VA <= 12 kA at 600 V AC-15, 7200 VA
Rated breaking capacity	<= 1.5 kA at 480 V AC-15, 720 VA <= 1.2 kA at 600 V AC-15, 720 VA <= 0.55 kA at 125 V DC-13 <= 0.27 kA at 250 V DC-13 <= 0.1 kA at 600 V DC-13 <= 6 kA at 120 V AC-15, 720 VA <= 3 kA at 240 V AC-15, 720 VA

Environment

Protective treatment	TC
Ambient air temperature for storage	-40...70 °C
Ambient air temperature for operation	-25...70 °C
Class of protection against electric shock	Class II conforming to IEC 61140
Standards	CSA C22-2 No 14 EN/IEC 60947-1 EN/IEC 60947-5-1 EN/IEC 60947-5-4 JIS C 4520 JIS C 852 UL 508

Product certifications	NEMA UL 508
Vibration resistance	7 gn (f = 2...500 Hz) conforming to IEC 60068-2-6
Shock resistance	50 gn conforming to IEC 60068-2-27
RoHS EUR status	Compliant
RoHS EUR conformity date	0921

Dimensions



e panel thickness: 1 to 6 mm / 0.04 to 0.24 in.