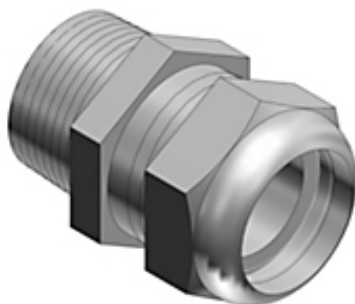




Actual



Representative

**Catalog Number:** 2919SST  
**Product ID:** 7TAD105050R0009  
**UPC Number:** 78620989586  
**EAN Number:** 05415022461015  
**Status:** Active

Liquidtight Strain Relief Connector, 3/8 Inch NPT Threads, Straight, Cord Range 0.157 to 0.315 Inch, 304 Stainless Steel Body with Rubber Bushing

- Type 304 stainless steel construction for your harshest environments
- Ranger liquidtight cord connectors offer twice the cord diameter range of similar connectors, so you can do more with fewer sizes to order and stock.
- Ranger connectors form a non-slip mechanical grip, providing a liquidtight seal and the strain relief required for flexible portable cord connections.
- Superior corrosion resistance in wash down areas and other corrosive environments.
- Stands up to heat and UV exposure better than non-metallic connectors.
- Beveled, moisture and oil-resistant synthetic rubber bushing system ensures superior compression and sealing of fitting to cord.
- Bushing marked with cord range for easy identification out of box.
- Ideal for MRO and OEM applications in corrosive environments such as food & beverage and pharmaceutical processing wash down area.
- Pulp and paper mills, wastewater treatment, saltwater applications and petrochemical refining.

### North American Specifications (UNSPSC)

UNSPSC	39121431 Cable gland connector
IGCC	4601 Cable gland connector
Brand Name	T&B
Type	Cord Connectors-Straight
Special Features	Type 304 Stainless Steel Construction for Your Harshest Environments
Application	Ideal for MRO and OEM Applications In Corrosive Environments Such As Food & Beverage and Pharmaceutical Processing Wash Down Area.
Standard	UL Recognized
Size	3/8 Inch
Conductor Range	0.157 to 0.315 Inch
Material	Stainless Steel
Color	Metallic

### European Specifications (ETIM)

ETIM	EC000441 Cable screw gland
Thread type	NPT
Nominal thread size inch/gas pipe thread	1/2 inch
Suitable for cable diameter	4.0-8.0mm
Material	Metal
Material quality	Stainless steel V2A
Colour	Natural colour
Model	Straight

### Packaging

Inner Quantity	25
Inner Dimensions (inches)	6x4x4
Outer Quantity	125
Outer Dimensions (inches)	21.5x5x6.75

Weight Uom

4.5 lbs. per 100

**Documents / Support Tools**

Technical Data Sheet US

Available on Website

Technical Data Sheet CA

Available on Website

**For further technical assistance, please contact us...**

Thomas & Betts - USA  
8155 T&B Blvd.  
Memphis, TN 38125  
www.tnb.com

T&B Technical Support  
MS 3B-50  
8155 T&B Blvd.  
Memphis, TN 38125

Hours: 7AM - 6PM CDT  
Monday-Friday  
Phone: (888) 862-3289  
Fax: (901) 252-1321  
Email:techsupport@tnb.com