

PLEASE CHECK WWW.MOLEX.COM FOR LATEST PART INFORMATION

Part Number: **0879190101**
Status: **Active**
Description: 1.00mm Pitch DDR-2 DIMM Socket, 25 Degree Reverse Angle, Through Hole, 240 Circuits, 1.8V Voltage Key, 2.79mm Tail Length, 0.38µm Gold (Au) Plating, Natural (Off White) Latch, Lead-Free

Documents:

[3D Model](#) [Product Specification PS-87919-006-001 \(PDF\)](#)
[Drawing \(PDF\)](#) [RoHS Certificate of Compliance \(PDF\)](#)

General

Product Family	Memory Module Sockets
Series	<u>87919</u>
Component Type	Socket
JEDEC Outline	MO-237
Product Name	DDR2 DIMM
UPC	822350066884

Physical

Circuits (Loaded)	240
Durability (mating cycles max)	25
Entry Angle	25° Angle
Housing Color	Black
Keying to Mating Part	Yes
Latch Color	Natural (Off-White)
Material - Plating Mating	Gold
Material - Plating Termination	Tin
Material - Resin	High Temperature Thermoplastic
Net Weight	11.425/g
PC Tail Length	2.79mm
PCB Locator	Yes
PCB Retention	Yes
PCB Thickness - Recommended	1.60mm
Packaging Type	Tray
Pitch - Mating Interface	1.00mm
Plating min - Mating	0.381µm
Plating min - Termination	2.540µm
Temperature Range - Operating	-55°C to +85°C
Termination Interface: Style	Through Hole

Electrical

Current - Maximum per Contact	0.5A
Voltage - Maximum	30V
Voltage Key	1.8V

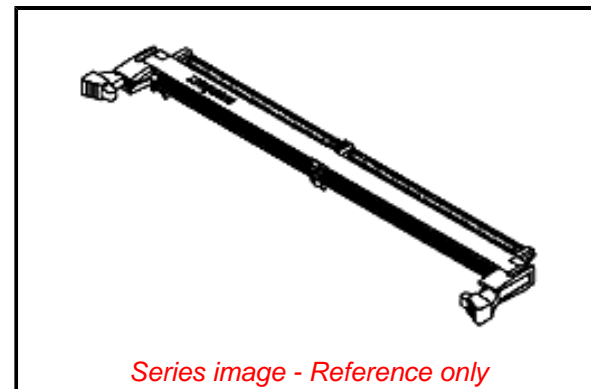
Solder Process Data

Duration at Max. Process Temperature (seconds)	010
Lead-free Process Capability	SMC&WAVE
Max. Cycles at Max. Process Temperature	002
Process Temperature max. C	260

Material Info

Reference - Drawing Numbers

Product Specification	PS-87919-006-001
Sales Drawing	SD-87919-001



Series image - Reference only

EU ELV

Not Relevant

EU RoHS

Compliant

REACH SVHC

Not Contained Per
-ED/01/2017 (12
January 2017)

Halogen-Free

Status

Not Low-Halogen

Need more information on product environmental compliance?

Email productcompliance@molex.com
Please visit the [Contact Us](#) section for any non-product compliance questions.

China ROHS	Green Image
ELV	Not Relevant
RoHS Phthalates	Not Contained

Search Parts in this Series

87919 Series

Mates With

JEDEC Standard 1.27mm Modules

This document was generated on 07/26/2017

PLEASE CHECK WWW.MOLEX.COM FOR LATEST PART INFORMATION