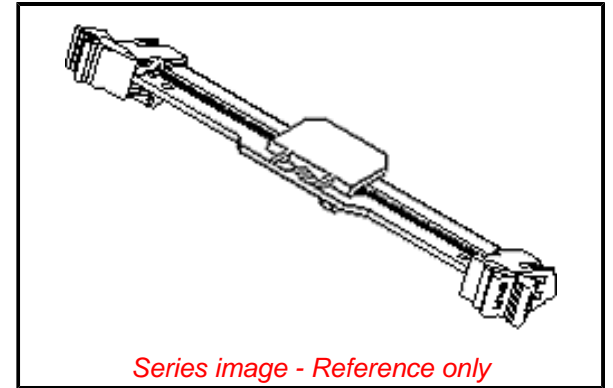


PLEASE CHECK WWW.MOLEX.COM FOR LATEST PART INFORMATION

Part Number: [0780350001](#)
Status: **Active**
Overview: MiniDIMM Sockets
Description: 0.60mm Pitch miniDIMM DDR2 Socket, Surface Mount, 22.5° Reverse Angle, 0.76µm Gold (Au) Plating, Off-White Latches, with Pick-and-Place Cap, 244 Circuits, 1.8V Voltage Key, Lead-Free

Documents:

3D Model	Application Specification AS-87782-001-001 (PDF)
Drawing (PDF)	Packaging Specification PK-78035-001 (PDF)
Product Specification PS-78035-001-001 (PDF)	RoHS Certificate of Compliance (PDF)



Agency Certification

CSA	LR19980
UL	E29179

General

Product Family	Memory Module Sockets
Series	78035
Application Tooling Part Link	62100-1960
Component Type	Socket
Electrical Model	Yes
JEDEC Outline	MO-244
Overview	MiniDIMM Sockets
Product Name	MiniDIMM
UPC	822350247795

Physical

Circuits (Loaded)	244
Durability (mating cycles max)	25
Entry Angle	22.5° Angle
Flammability	94V-0
Housing Color	Black
Keying to Mating Part	Yes
Latch Color	Natural (Off-White)
Material - Metal	Copper Alloy
Material - Plating Mating	Gold
Material - Plating Termination	Tin
Material - Resin	High Temperature Thermoplastic
Net Weight	6.050/g
PCB Locator	Yes
PCB Retention	Yes
Packaging Type	Tray
Pitch - Mating Interface	0.60mm
Plating min - Mating	0.762µm
Plating min - Termination	2.540µm
Temperature Range - Operating	-10°C to +85°C
Termination Interface: Style	Surface Mount

Electrical

Current - Maximum per Contact	1.0A
Voltage - Maximum	30V
Voltage Key	1.8V

Solder Process Data

Duration at Max. Process Temperature (seconds)	005
Lead-free Process Capability	REFLOW
Max. Cycles at Max. Process Temperature	001

EU ELV

Not Relevant

EU RoHS

Compliant

REACH SVHC

Not Contained Per
-ED/01/2018 (15
January 2018)

Halogen-Free

Status

Not Low-Halogen

Need more information on product environmental compliance?

Email productcompliance@molex.com
Please visit the [Contact Us](#) section for any non-product compliance questions.

China ROHS	Green Image
ELV	Not Relevant
RoHS Phthalates	Not Contained

Search Parts in this Series

[78035](#) Series

Mates With

JEDEC MO-244 Modules

Application Tooling | FAQ

Tooling specifications and manuals are found by selecting the products below. Crimp Height Specifications are then contained in the Application Tooling Specification document.

Global

Description	Product #
MiniDIMM Memory Card Insertion Tool	0621001960

Process Temperature max. C

260

Material Info

Reference - Drawing Numbers

Application Specification	AS-87782-001-001
Electrical Model Document	EE-78035-001
Packaging Specification	PK-78035-001
Product Specification	PS-78035-001-001
S-Parameter Model	SP-78035-001
Sales Drawing	SD-78035-001

This document was generated on 07/17/2018

PLEASE CHECK WWW.MOLEX.COM FOR LATEST PART INFORMATION