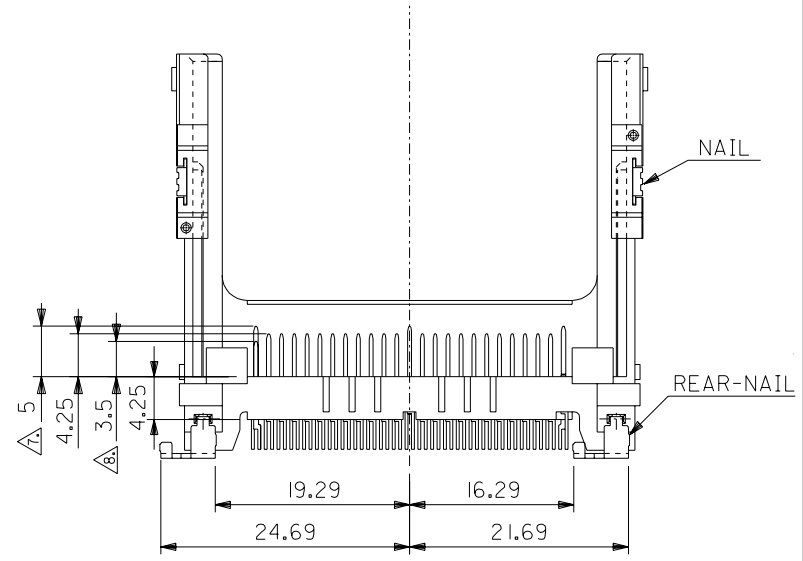
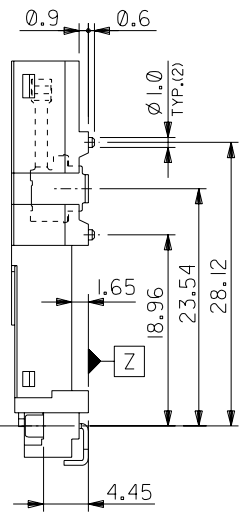
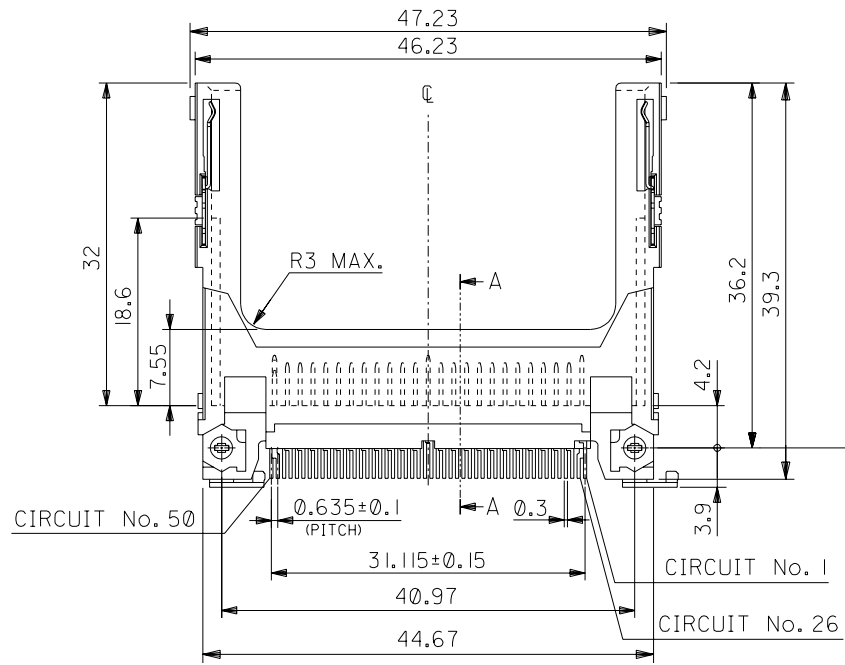
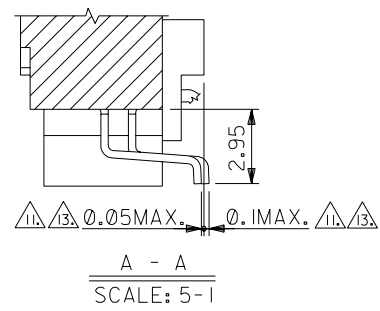
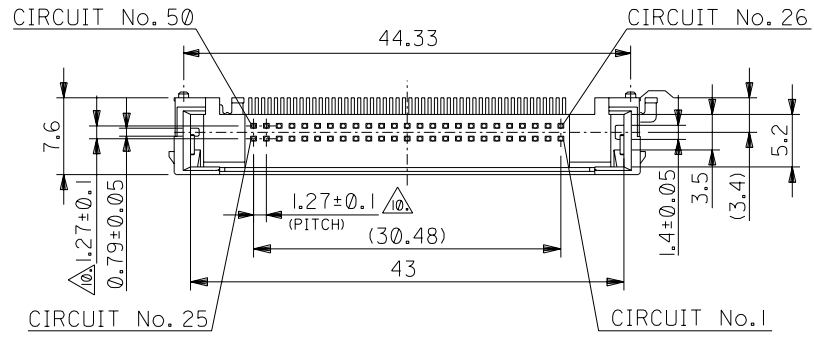


DWG. NO. SD-55358-015



55358-5038	55358-5039	55358-50**
HARD TRAY PACKAGE	MATERIAL No.	MODEL No.

DO NOT SCALE DRAWING

EC NO. DRWN: CHK: APPR:	EC NO. DRWN: CHK: APPR:	EC NO. DRWN: CHK: APPR:	EC NO. DRWN: CHK: APPR:	EC NO. DRWN: CHK: APPR:
RELEASED	EC NO. J2004-3952	DRWN: M.NABEI '04/04/22	CHK: K.TOJO '04/04/22	APPR: MSASAO '04/04/22

MATERIAL 材料	SEE NOTES
FINISH 仕上り	SEE NOTES
WIRE RANGE 適用線径範囲	#
INS. RANGE 被覆外径	#

GENERAL TOLERANCES: (UNLESS SPECIFIED) 一般公差	10 UNDER 未滿	±0.2
	10 OVER 30 UNDER 以上 未滿	±0.25
	30 OVER 以上	±0.3
ANGLE 角度		±3°

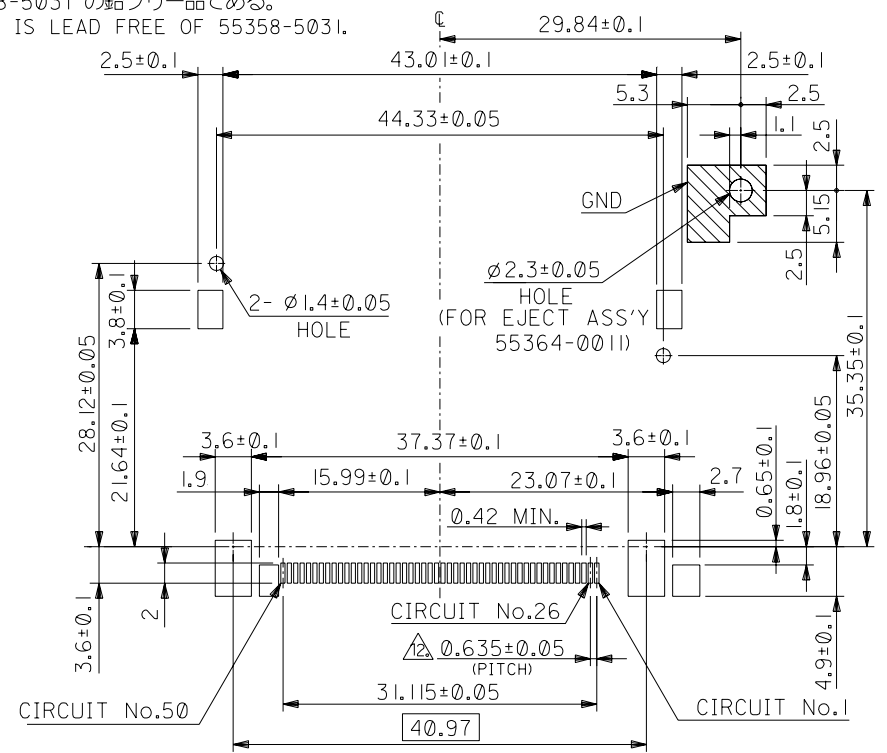
SCALE 2 - 1	DESIGN UNITS <input checked="" type="checkbox"/> mm <input type="checkbox"/> INCH	THIRD ANGLE PROJECTION	DIMENSIONS: <input type="checkbox"/> mm <input type="checkbox"/> INCH <input type="checkbox"/> mm <input checked="" type="checkbox"/> INCH	SHT REV
DRAWN BY & DATE M.NABEI '04/04/22	CHECKED BY & DATE K.TOJO '04/04/22	TITLE: CF CARD CONN. 50P HEADER ASS'Y (TYPE I/II, NORMAL) -LEAD FREE-		
APPROVED BY & DATE M. Sasao '04/04/22	MOLEX INCORPORATED			
CAD FILENAME SD-55358-015.S01	MATERIAL NO. SEE CHART	DRAWING NO. SD-55358-015	SHEET NO. 1 OF 2	
THIS DRAWING CONTAINS INFORMATION THAT IS PROPRIETARY TO MOLEX INCORPORATED AND SHOULD NOT BE USED WITHOUT WRITTEN PERMISSION.				SIZE B

DWG. NO. SD-55358-015

DO NOT SCALE DRAWING

- 8 7 6 5 4 3 2 1
- 注) NOTES
1. 材質 MATERIAL  
 ハウジング: ガラス入りLCP UL94V-0  
 HOUSING: LIQUID CRYSTAL POLYMER G.F. UL94V-0  
 ピン: リン青銅  
 PIN: PHOSPHOR BRONZE  
 ネール: リン青銅 (t0.3)  
 NAIL: PHOSPHOR BRONZE (t0.3)  
 リヤネール: リン青銅 (t0.48)  
 REAR-NAIL: PHOSPHOR BRONZE (t0.48)
2. メッキ仕様 PLATING  
 ピン  
 PIN 接点部: 金メッキ  
 CONTACT AREA: GOLD  
 半田付け部: 錫メッキ  
 SOLDER TAIL AREA: TIN  
 下地メッキ: ニッケルメッキ  
 UNDERPLATING: NICKEL OVER ALL  
 ネール  
 NAIL 接点部: 金メッキ  
 CONTACT AREA: GOLD  
 半田付け部: 錫メッキ  
 SOLDER TAIL AREA: TIN  
 下地メッキ: ニッケルメッキ  
 UNDERPLATING: NICKEL OVER ALL  
 リヤネール  
 REAR-NAIL 錫メッキ  
 TIN  
 下地メッキ: ニッケルメッキ  
 UNDERPLATING: NICKEL OVER ALL
3. 推奨基板厚: t=0.8 MIN.  
 RECOMMENDED P.C.B. THICKNESS: t=0.8 MIN.
4. 適合カード厚: 3.3±0.1 (TYPE I) AND 5 MAX. (TYPE II)  
 RECOMMENDED CARD THICKNESS: 3.3±0.1 (TYPE I) AND 5 MAX. (TYPE II)
5. 適合カード幅: 42.8±0.1  
 RECOMMENDED CARD WIDTH: 42.8±0.1
6. ハウジング色: 黒  
 HOUSING COLOR: BLACK
7. 寸法適用極: 1,13,38,50  
 THIS DIMENSION APPLIES TO CIRCUIT NUMBERS 1,13,38 AND 50.
8. 寸法適用極: 25,26  
 THIS DIMENSION APPLIES TO CIRCUIT NUMBERS 25 AND 26.
9. ピンの倒れは、ピン根元を基準に全方向へ0.1 MAX.とする。  
 PIN TIP LEAN TOWARD ANY DIRECTION NOT TO EXCEED 0.1 WHEN MEASURED FROM PIN BASE.
10. ピン根元に適用する。  
 THIS DIMENSION TO BE MEASURED AT PIN BASE.

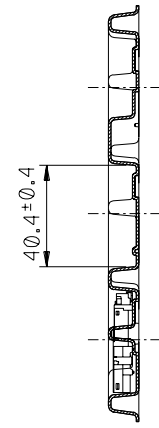
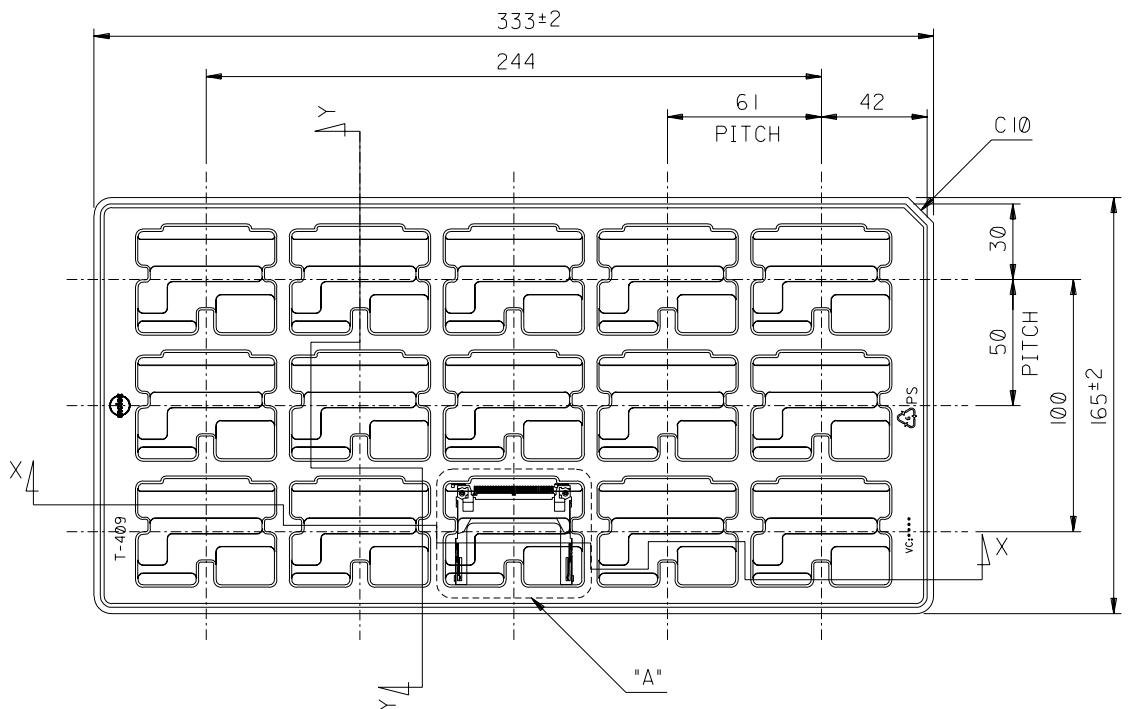
11. ソルダーテールは、Z面を基準とし上へ0.05下へ0.1の範囲にあり、且つソルダーテールの平坦度は、0.1 MAX.とし、テール先端にて測定する。  
 SOLDER TAILS TO BE WITHIN 0.05 UPWARD AND 0.1 DOWNWARD FROM Z-DATUM PLACE, AND COPLANARITY OF SOLDER TAILS TO BE WITHIN 0.1. MEASUREMENT POINT IS SOLDER TAILS TIP.
12. 公差非累積  
 NON-CUMULATIVE
13. テールとネール、リヤネールを併せた平坦度は、0.1 MAX.とする。  
 TOTAL COPLANARITY OF SOLDER TAILS, NAILS AND REAR-NAILS TO BE 0.1 MAX.
14. 本製品は 55358-5031 の鉛フリー品である。  
 THIS PRODUCT IS LEAD FREE OF 55358-5031.



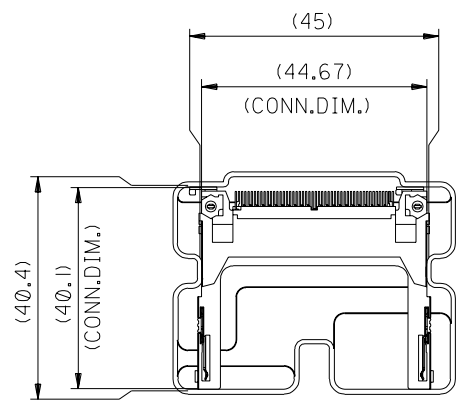
基板推奨寸法  
 RECOMMENDED P.C.B. LAYOUT

EC NO. DRAWN: CHK: APPR:		EC NO. DRAWN: CHK: APPR:		EC NO. DRAWN: CHK: APPR:		EC NO. DRAWN: CHK: APPR:		EC NO. DRAWN: CHK: APPR:		EC NO. DRAWN: CHK: APPR:		EC NO. DRAWN: CHK: APPR:		EC NO. DRAWN: CHK: APPR:		EC NO. DRAWN: CHK: APPR:		EC NO. DRAWN: CHK: APPR:		EC NO. DRAWN: CHK: APPR:	
REV		REV		REV		REV		REV		REV		REV		REV		REV		REV		REV	
MATERIAL 材料		FINISH 仕上げ		WIRE RANGE 適用電線範囲		INS. RANGE 被覆外径		GENERAL TOLERANCES: (UNLESS SPECIFIED) 一般公差		SCALE		DESIGN UNITS		MODEL NO.		DIMENSIONS:		SHT		REV	
SEE NOTES		SEE NOTES		#		#		10 UNDER 未満 ±0.2		2 - 1		mm INCH		55358-50**		mm INCH mm ONLY		2		REVISION	
								10 OVER 30 UNDER 未満 ±0.25		DRAWN BY & DATE M.NABEI '04/04/22		THIRD ANGLE PROJECTION		TITLE:		CF CARD CONN. 50P HEADER ASS'Y (TYPE I/II, NORMAL) -LEAD FREE-					
								30 OVER 以上 ±0.3		CHECKED BY & DATE K.TOJO '04/04/22		MOLEX		MATERIAL NO.		DRAWING NO.					
								ANGLE 角度 ±3°		APPROVED BY & DATE M. Sasaki '04/04/22		SD-55358-015.S02		SD-55358-015		SHEET NO.					
										CAD FILENAME		MATERIAL NO.		DRAWING NO.		SHEET NO.					
										THIS DRAWING CONTAINS INFORMATION THAT IS PROPRIETARY TO MOLEX INCORPORATED AND SHOULD NOT BE USED WITHOUT WRITTEN PERMISSION.						2					

DWG. NO. SD-55358-016



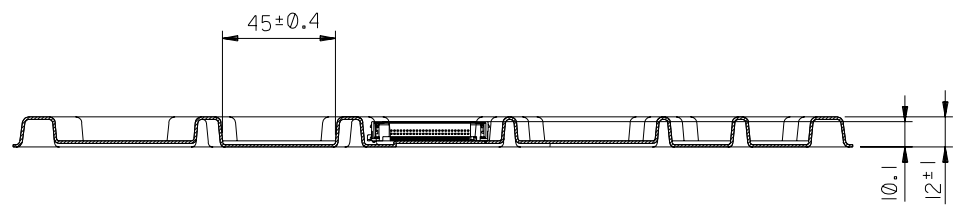
SECT. Y-Y



DETAIL A  
(SCALE 1-1)

NOTES

1. 一般公差: ±0.5  
GENERAL TOLERANCES: ±0.5
2. 反り: 2MAX.  
WARP: 2MAX.
3. 梱包数: 15個  
PACKAGING QUANTITY: 15PCS.
4. 本製品は 55358-5026/-5036 の鉛フリー品である。  
THIS PRODUCT IS LEAD FREE OF 55358-5026/-5036.



SECT. X-X

15	55358-5039	55358-5038	50
	55358-5029	55358-5028	
梱包数量 QUANTITY	コネクタ番号 CONNECTOR No.	製品番号 MATERIAL No.	極数 CKT.

DO NOT SCALE DRAWING

64NO. DRWN: CHK: APPR:	63NO. DRWN: CHK: APPR:	62NO. DRWN: CHK: APPR:	61NO. DRWN: CHK: APPR:	RELEASED 60NO. J2004-3952 DRWN: M.NABEI CHK: K.TOJO APPR: M.SASAO	MATERIAL 材料  POLYSTYRENE (t=1.0)	GENERAL TOLERANCES: (UNLESS SPECIFIED) 一般公差		55358-50** SCALE 1:2 DESIGN UNITS <input checked="" type="checkbox"/> mm <input type="checkbox"/> INCH		MODEL NO. <input checked="" type="checkbox"/> FIRST ANGLE <input type="checkbox"/> PROJECTION		DIMENSIONS: <input type="checkbox"/> mm <input type="checkbox"/> INCH <input checked="" type="checkbox"/> mm ONLY		SHT REV					
						FINISH 仕上げ	WIRE RANGE 適用規格範囲	INS. RANGE 被覆外径	10 UNDER 未満	30 UNDER 未満	DRAWN BY & DATE M.NABEI '04/04/22	TITLE: TRAY FOR CF CARD CONN. 50P HEADER HS'G ASS'Y -LEAD FREE-				MOLEX INCORPORATED		CAD FILENAME SD-55358-016.S01	
							30 OVER 以上		APPROVED BY & DATE M.SASAO '04/04/22										
							ANGLE 角度		±3°										

THIS DRAWING CONTAINS INFORMATION THAT IS PROPRIETARY TO MOLEX INCORPORATED AND SHOULD NOT BE USED WITHOUT WRITTEN PERMISSION.

SD-55358-016.S01