

PLEASE CHECK WWW.MOLEX.COM FOR LATEST PART INFORMATION

Part Number: **0553585038**
Status: **Active**
Overview: CompactFlash™
Description: 1.27mm Pitch CF Card Header- Right Angle, SMT Top Mounting for Type I and II Cards, Hard Tray Package

Documents:

3D Model Packaging Specification SPK-55358-002-001 (PDF)
Drawing (PDF) RoHS Certificate of Compliance (PDF)
Product Specification PS-55358-012-001 (PDF)

Agency Certification

UL E29179

General

Product Family Memory Card Sockets
Series 55358
Comments Hard Tray Package
Overview CompactFlash™
Product Name CompactFlash
Style Guide and Holder
UPC 822348366019

Physical

Card Detection Switch N/A
Card Entry Location Front
Circuits (Loaded) 50
Durability (mating cycles max) 10000
Ejector Button Side N/A
Flammability 94V-0
Material - Contact Copper Alloy
Material - Plating Mating Gold over Nickel
Material - Plating Termination Tin
Net Weight 3885.278/mg
PCB Locator Yes
PCB Retention Yes
Packaging Type Tray
Pitch - Mating Interface 1.27mm
Temperature Range - Operating -20°C to +90°C
Termination Interface: Style Surface Mount

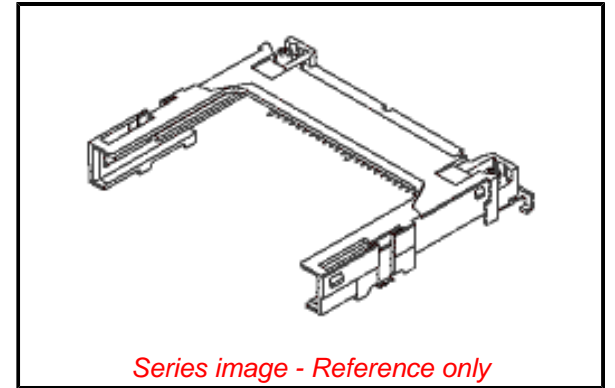
Electrical

Current - Maximum per Contact 0.5A
Voltage - Maximum 100V AC (RMS)
Voltage Key 3.3V, 5.0V

Material Info

Reference - Drawing Numbers

Packaging Specification SPK-55358-002-001
Product Specification PS-55358-012-001
Sales Drawing SD-55358-015, SD-55358-016



EU ELV

Not Relevant

EU RoHS

Compliant

REACH SVHC

Not Contained Per
-ED/01/2018 (15
January 2018)

Halogen-Free

Status

Low-Halogen

Need more information on product environmental compliance?

Email productcompliance@molex.com
Please visit the [Contact Us](#) section for any non-product compliance questions.

China ROHS

ELV

RoHS Phthalates

Green Image

Not Relevant

Not Contained

Search Parts in this Series

55358 Series

Mates With

67003 , 67114 , Industry Standard CF Card

Use With

55356 Ejector, 55364 Ejector