

4

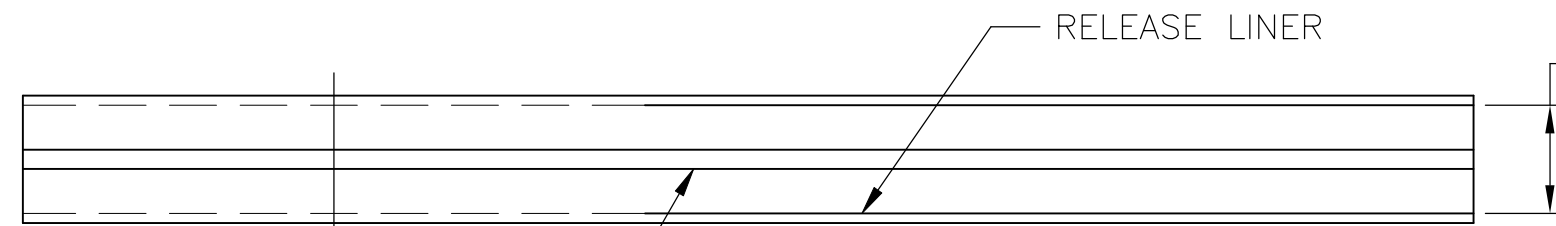
3

2

1

THIS DRAWING IS UNPUBLISHED. RELEASED FOR PUBLICATION -,- .
 © COPYRIGHT - By - ALL RIGHTS RESERVED.

REVISIONS					
P	LTR	DESCRIPTION	DATE	DWN	APVD
	G1	REVISED PER ECO-11-004587	11MAR11	RK	HMR
	H	REVISED PER ECO-17-015837	11MAY2018	RS	DR

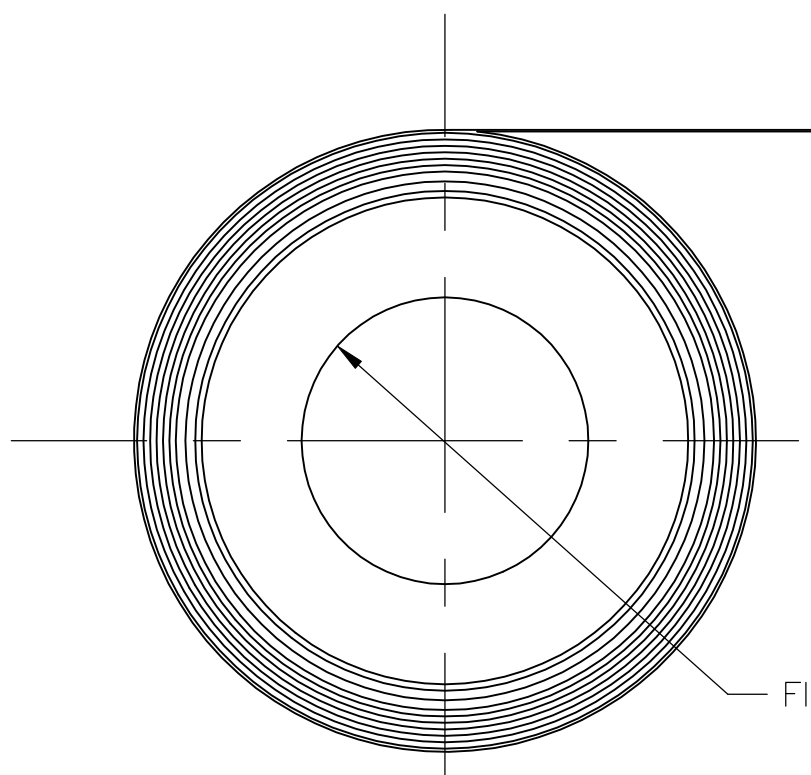


WIDTH ±1.30 [.051]

COLOR STRIPE

RELEASE LINER

1. MATERIAL: SILICONE RUBBER.
2. TAPE IS ROLLED ONTO A FIBER HUB TO LENGTHS INDICATED WITH COLOR STRIPE UP AND RELEASE LINER ON OUTSIDE.
3. THICKNESS TO BE MEASURED AT CENTER OF TAPE.
4. SELF-AMALAGAMATING MATERIAL HAS A 1-YEAR SHELF-LIFE, WHICH BEGINS THE DAY ITS MADE. USE AFTER EXPIRATION CONSIDERABLY IMPEDES ITS ABILITY TO FUSE.



THICKNESS ±0.20 [.008]

FIBER HUB

54/.12	4.57m [15 FT]	WHITE	BLACK	0.51 [.020]	25.4 [1.00]	1-608036-4
54/.12	4.57m [15 FT]	BLUE	RED	0.51 [.020]	25.4 [1.00]	1-608036-3
127/.28	10.97m[36 FT]	BLUE	CLEAR	0.51 [.020]	25.4 [1.00]	1-608036-2
576/1.27	10.97m[36 FT]	WHITE	RED	2.03 [.080]	38.1 [1.50]	608036-9
263/.58	10.97m[36 FT]	GREEN	RED	1.02 [.040]	31.8 [1.25]	608036-6
172/.38	10.97m[36 FT]	WHITE	GRAY	0.76 [.030]	25.4 [1.00]	608036-4
127/.28	10.97m[36 FT]	BLUE	GRAY	0.51 [.020]	25.4 [1.00]	608036-2
127/.28	10.97m[36 FT]	BLUE	RED	0.51 [.020]	25.4 [1.00]	608036-1
WEIGHT GRAMS/POUNDS	LENGTH MINIMUM	STRIPE COLOR	TAPE COLOR	THICKNESS	WIDTH	PART NUMBER

THIS DRAWING IS A CONTROLLED DOCUMENT.

DIMENSIONS:	TOLERANCES UNLESS OTHERWISE SPECIFIED:
mm	
	0 PLC ±
	1 PLC ±
	2 PLC ±
	3 PLC ±
	4 PLC ±
	ANGLES ±

MATERIAL

DWN	S. HOOVER	20-AUG-2002
CHK	D. COLEY	20-AUG-2002
APVD	D. COLEY	20-AUG-2002
PRODUCT SPEC		
APPLICATION SPEC		

STE TE Connectivity Ltd.

NAME
 TAPE, SILICONE FUSION

SIZE	CAGE CODE	DRAWING NO	RESTRICTED TO
A3	00779	C-608036	-

CUSTOMER DRAWING SCALE - SHEET 1 OF 1 REV H