

**PLEASE CHECK WWW.MOLEX.COM FOR LATEST PART INFORMATION**

**Part Number:** [0015311026](#)  
**Status:** **Active**  
**Overview:** [Standard .093" Pin and Socket Connectors](#)  
**Description:** 2.36mm Diameter Standard .093" Pin and Socket Header, Vertical, with Beveled Plastic Peg, 2 Circuits

**Documents:**

[3D Model](#) [Product Specification TS-5219-002-001 \(PDF\)](#)  
[Drawing \(PDF\)](#) [RoHS Certificate of Compliance \(PDF\)](#)  
[Product Specification PS-3191-003 \(PDF\)](#)

**Agency Certification**

CSA LR19980  
 UL E29179

**General**

Product Family PCB Headers  
 Series [5219](#)  
 Application Power, Wire-to-Board  
 Overview [Standard .093" Pin and Socket Connectors](#)  
 Product Name Standard .093"  
 UPC 800753604537

**Physical**

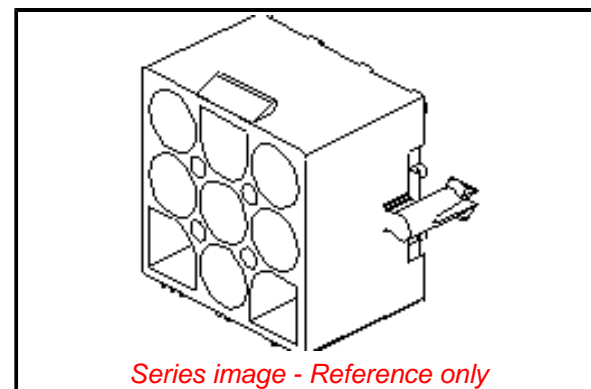
Breakaway No  
 Circuits (Loaded) 2  
 Circuits (maximum) 2  
 Durability (mating cycles max) 30  
 First Mate / Last Break No  
 Flammability 94V-2  
 Glow-Wire Capable No  
 Guide to Mating Part No  
 Keying to Mating Part None  
 Lock to Mating Part Yes  
 Material - Plating Mating Tin  
 Material - Plating Termination Tin  
 Net Weight 2050.402/mg  
 Number of Rows 1  
 Orientation Vertical  
 PCB Locator Yes  
 PCB Retention Yes  
 PCB Thickness - Recommended 1.60mm  
 Packaging Type Bag  
 Pitch - Mating Interface 6.70mm  
 Polarized to Mating Part Yes  
 Polarized to PCB Yes  
 Shrouded Fully  
 Stackable No  
 Surface Mount Compatible (SMC) No  
 Temperature Range - Operating -40°C to +105°C  
 Termination Interface: Style Through Hole

**Electrical**

Current - Maximum per Contact 12.0A  
 Voltage - Maximum 600V

**Material Info**

Engineering Number 5219-02A



**EU ELV**

**Not Relevant**

**EU RoHS**

**Compliant**  
**REACH SVHC**

Not Contained Per  
 -ED/01/2018 (15  
 January 2018)

**Halogen-Free**  
**Status**

**Low-Halogen**

**Need more information on product  
 environmental compliance?**

Email [productcompliance@molex.com](mailto:productcompliance@molex.com)  
 Please visit the [Contact Us](#) section for any  
 non-product compliance questions.

China ROHS	Green Image
ELV	Not Relevant
RoHS Phthalates	Not Contained

**Search Parts in this Series**

[5219 Series](#)

**Mates With**

[3191 Pin and Socket Receptacle Housing](#)

**Reference - Drawing Numbers**

Product Specification

Sales Drawing

PS-3191-003, TS-5219-002-001

SD-5219-02A\*-\*

This document was generated on 07/12/2018

**PLEASE CHECK [WWW.MOLEX.COM](http://WWW.MOLEX.COM) FOR LATEST PART INFORMATION**