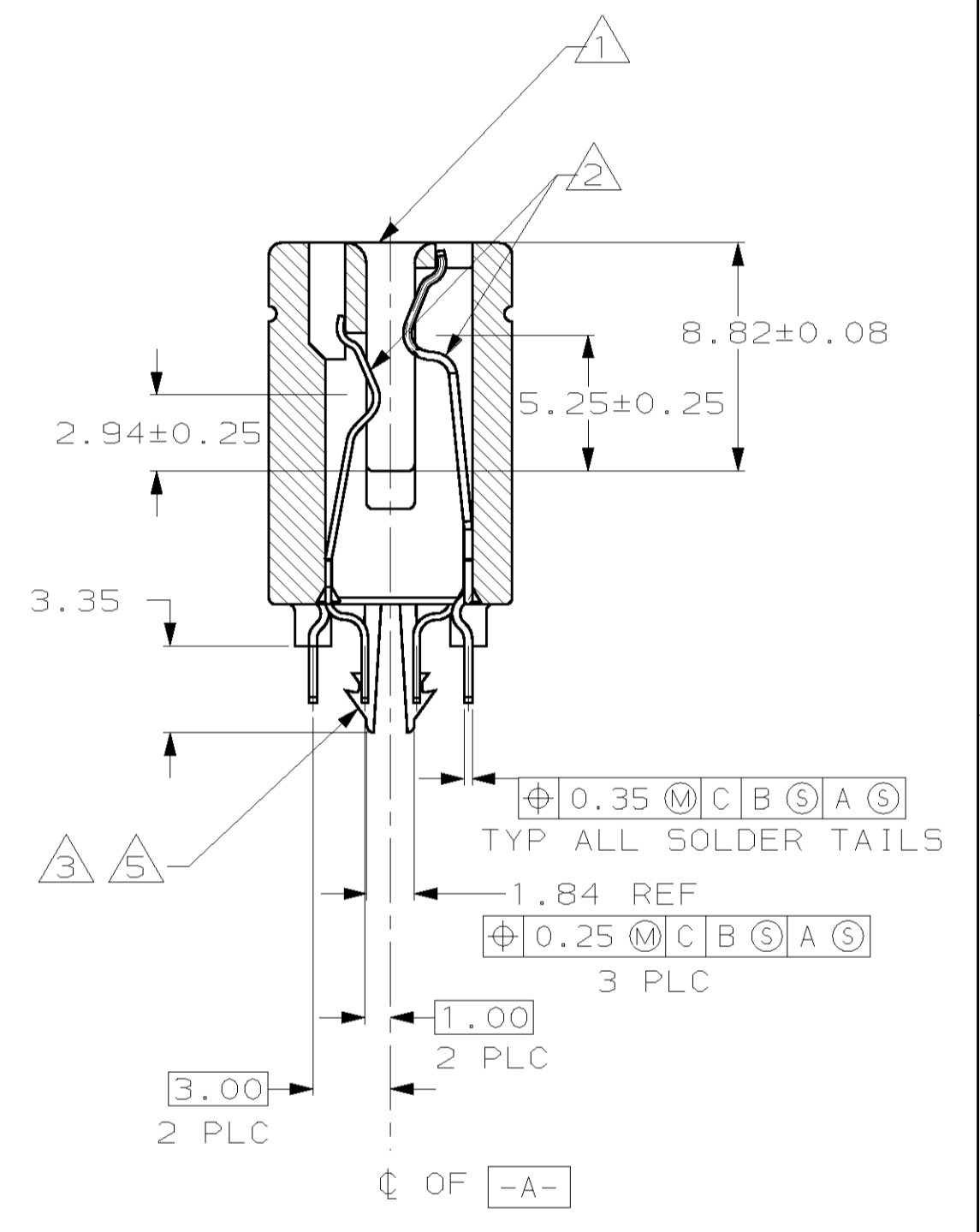
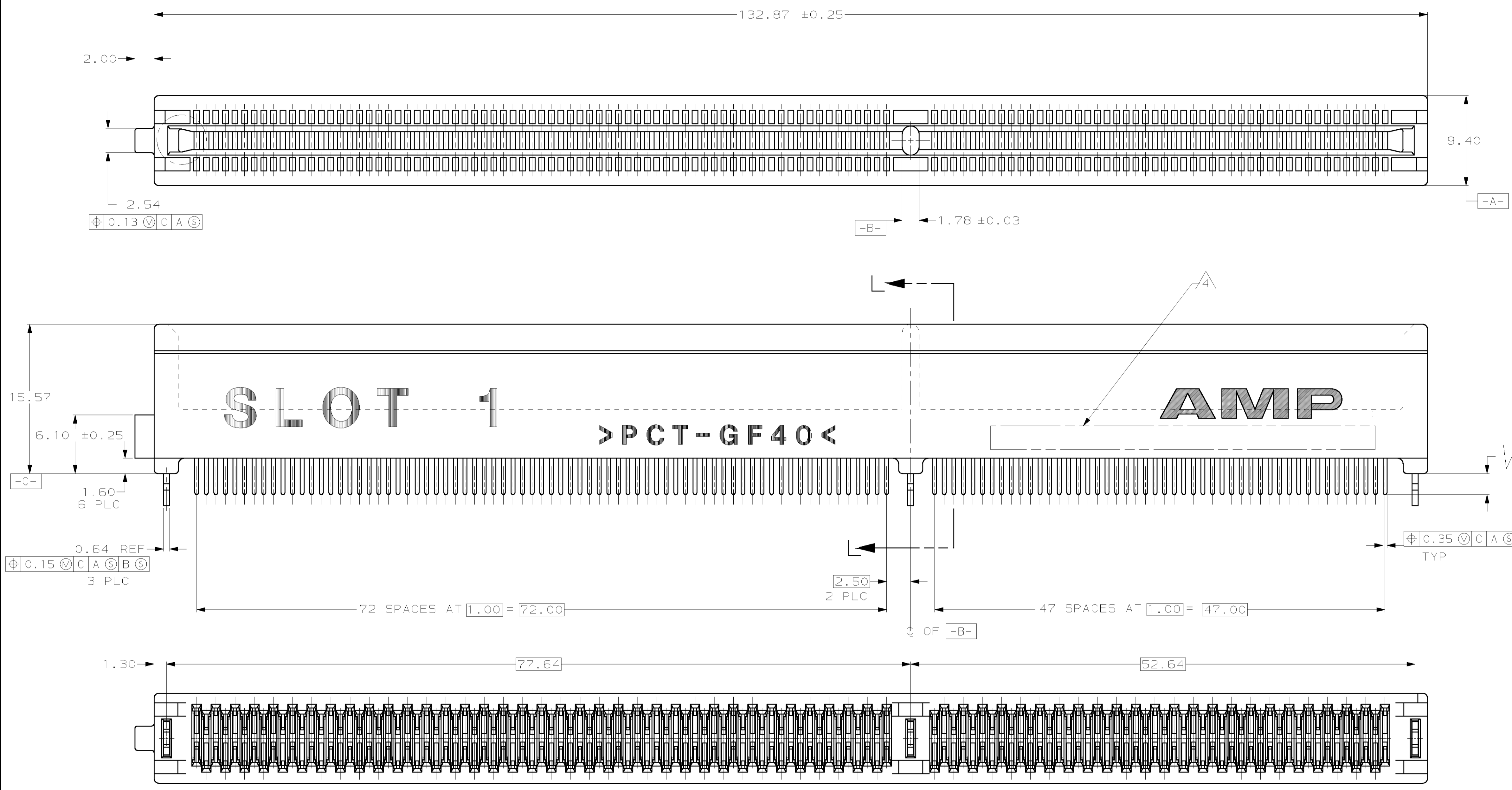


LOC	DIST	REVISIONS				
AD	14	REV	DESCRIPTION	DATE	OWN	APVD
		0	PRODUCT RELEASE	3/31/98	RB	MB
		A	REV PER EC 0651-0226-98	01/17/99	MM	EL
		B	REV PER EC 0651-0294-98	01/20/99	MM	DD
		C	REV PER 0651-0062-99	05/18/99	MM	EL



- 1 MATERIAL: HOUSING, THERMOPLASTIC, COLOR: BROWN.
CONTACTS, PHOSPHOR BRONZE.
HOLD-DOWNS, BRASS.
- 2 FINISH: CONTACTS, 1.27 MIN. MICROMETERS NICKEL ALL OVER,
0.38 MIN. MICROMETERS GOLD OVER NICKEL IN CONTACT AREA,
2.54 MIN MICROMETERS TIN-LEAD OVER NICKEL ON SOLDER TAILS.
- 3 FINISH: METAL FASTENERS, 1.27 MIN. MICROMETERS NICKEL ALL OVER,
3.18 MIN MICROMETERS TIN-LEAD OVER NICKEL ON SOLDER TAILS.
- 4 PART NUMBER AND DATE CODE SHOWN APPROXIMATELY IN THESE AREAS.
- 5 METAL FASTENERS ARE DESIGNED TO LATCH TO 1.44-1.63 THICK P.C. BOARDS.
- 6 FINISH: CONTACTS, 1.27 MIN. MICROMETERS NICKEL ALL OVER,
0.0254-0.0762 MICROMETERS GOLD OVER NICKEL IN CONTACT AREA.
2.54 MIN. MICROMETERS TIN-LEAD OVER NICKEL ON SOLDER TAILS.

2.54	145401-2
2.54	145401-1
PLATING	W
	PART NO

THIS DRAWING IS A CONTROLLED DOCUMENT.

DIMENSIONS:	TOLERANCES UNLESS OTHERWISE SPECIFIED:	DWN	R. BROWN	7/31/98
mm	0 PLC ±-	CHK	M. BOWERS	7/31/98
	1 PLC ±-	APVD	V. RUMINSKI	7/31/98
	2 PLC ±0.13	PRODUCT SPEC		
	3 PLC ±-	APPLICATION SPEC		
	4 PLC ±-	WEIGHT		
	ANGLES	CUSTOMER DRAWING		

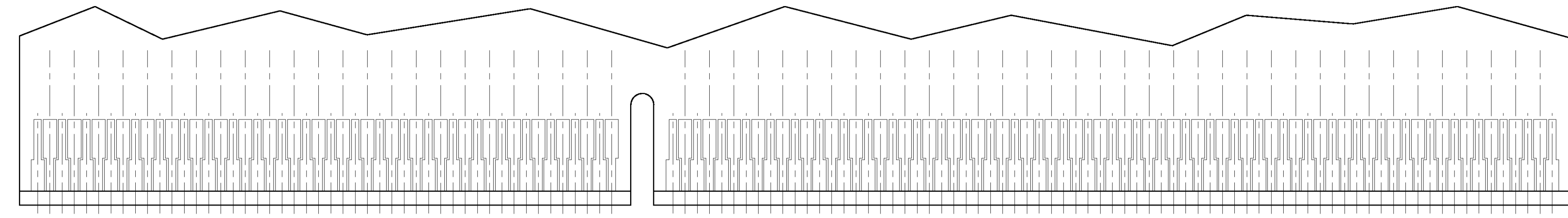
AMP Incorporated
 Harrisburg, PA 17105-3508

OBsolete NOT the LATEST REVISION

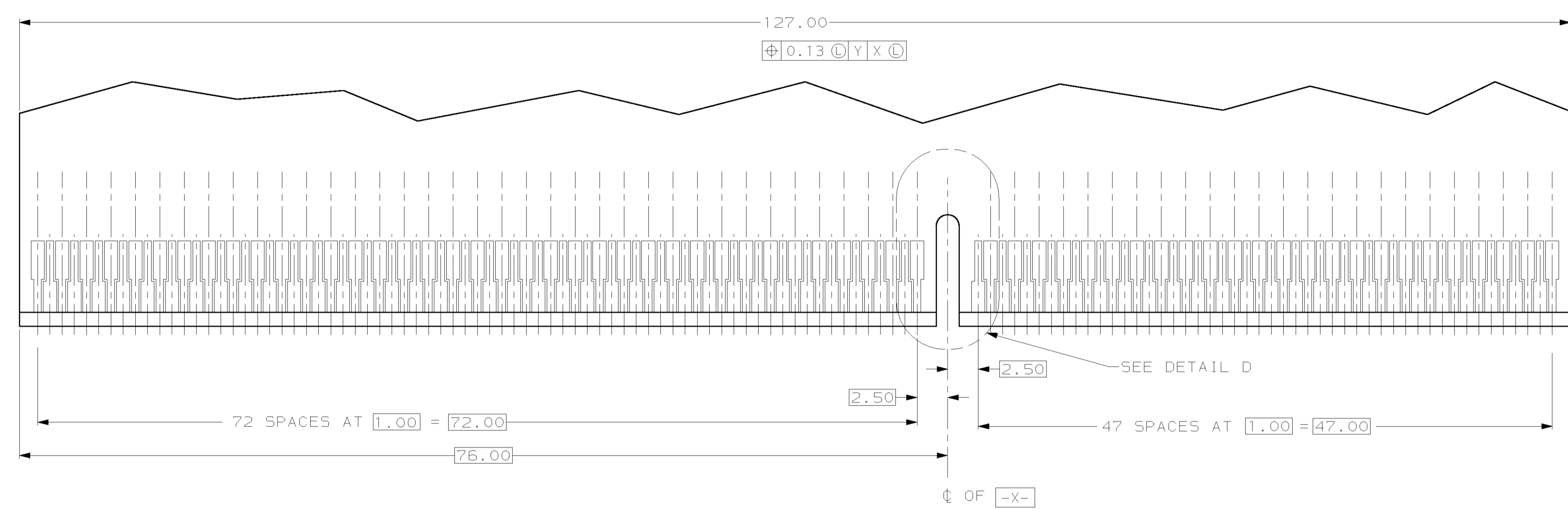
AMP, 1mm ϕ STANDARD EDGE
 AMP, 1mm ϕ 242 PASTHON

SIZE: CASE CODE: DRAWING NO: 145401
 SCALE: 4:1 SHEET 12 OF 12 REV C

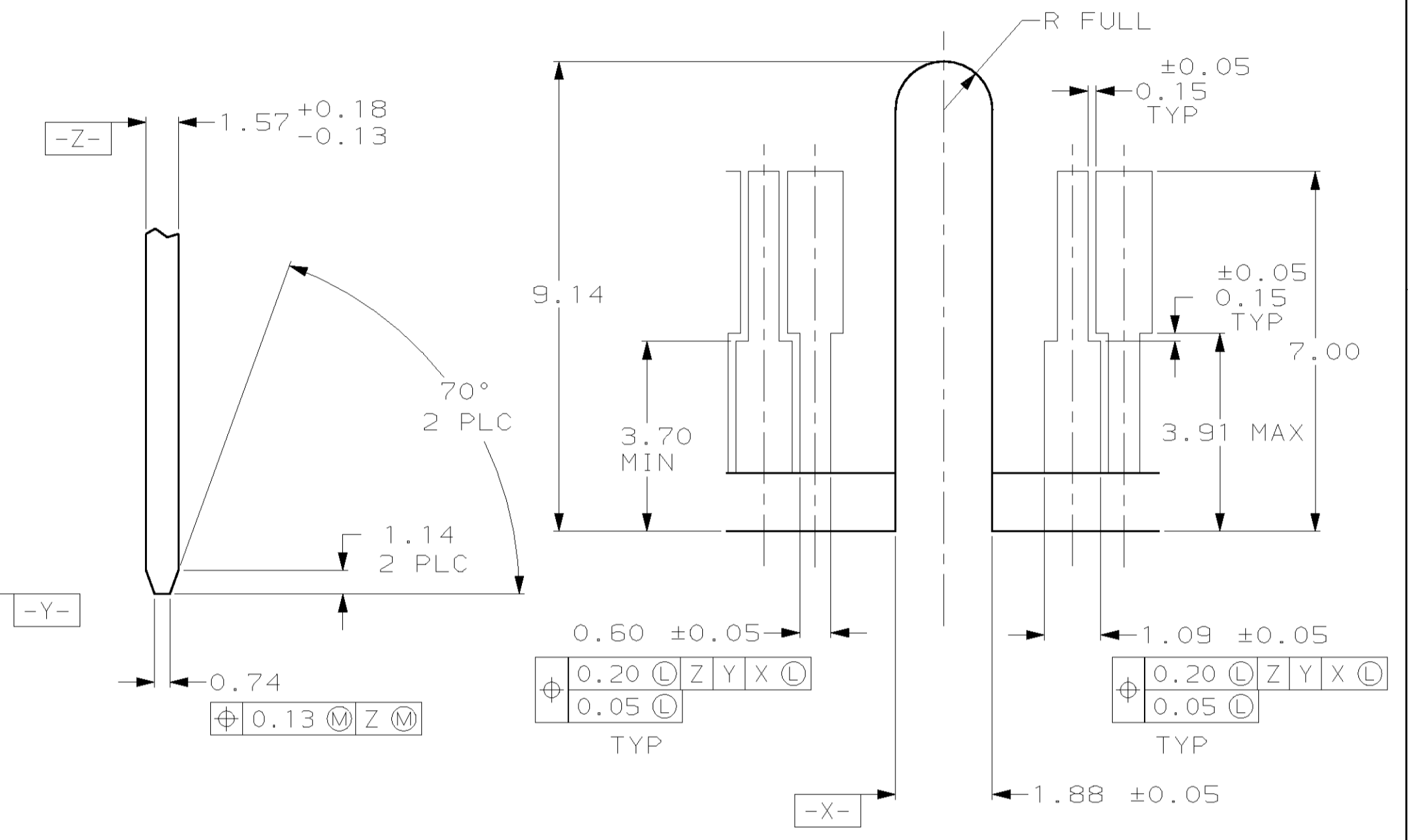
LOC		DIST		REVISIONS			
AD	14	PL	LYR	DESCRIPTION	DATE	OWN	APVD
		C		SEE SHEET 1	-	-	-



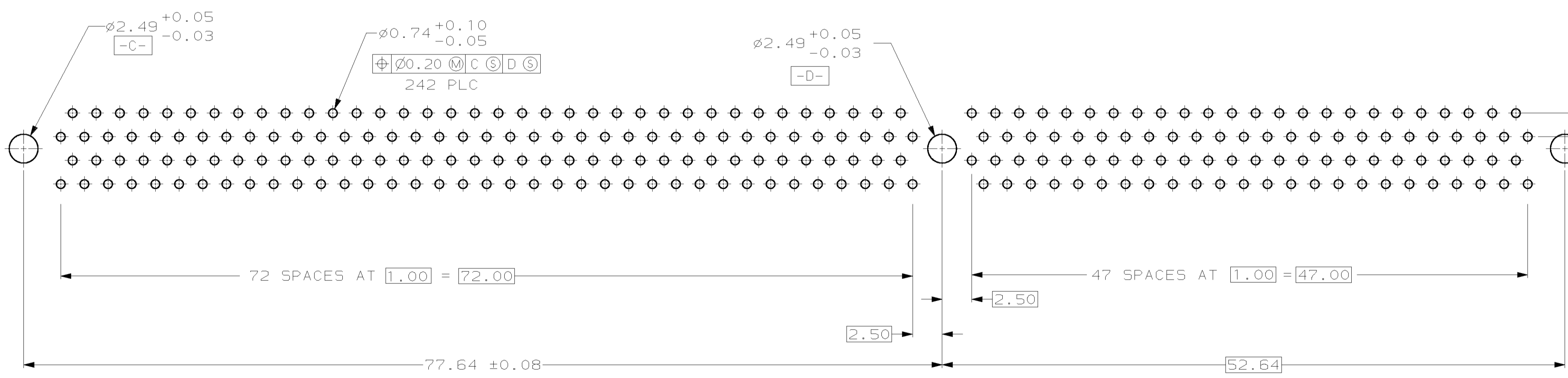
RECOMMENDED CONNECTOR MATING PAD PATTERN
(SECONDARY SIDE SHOWN)



RECOMMENDED CONNECTOR MATING PAD PATTERN
(PRIMARY SIDE SHOWN)



DETAIL D
SCALE 10:1



RECOMMENDED CONNECTOR MOUNTING HOLE PATTERN
(CONNECTOR SIDE SHOWN)

THIS DRAWING IS A CONTROLLED DOCUMENT.		DWN R. BROWN	7/31/98	AMP AMP Incorporated Harrisburg, PA 17105-3608
DIMENSIONS: mm		CHK D. DIXON	7/31/98	
TOLERANCES UNLESS OTHERWISE SPECIFIED:		APVD V. RUMINSKI	7/31/98	NAME AMP, 1mm ϕ STANDARD EDGE ASSEMBLY, 242 POSITION
0 PLC	±	PRODUCT SPEC		SIZE A1
1 PLC	±	APPLICATION SPEC		CAGE CODE 00779
2 PLC	±0.13			DRAWING NO C-145401
3 PLC	±			SCALE 4:1
4 PLC	±			SHEET 22
ANGLES	±			REV C
MATERIAL		WEIGHT		
FINISH		CUSTOMER DRAWING		