

6448 M

## DC axial compact fan



### ebm-papst St. Georgen GmbH & Co. KG

Hermann-Papst-Str. 1  
D-78112 St. Georgen  
Phone +49 (0) 7724 81-0  
Fax +49 (0) 7724 81-1309  
info2@de.ebmpapst.com  
www.ebmpapst.com

### Nominal data

Type	6448 M	
Nominal voltage	VDC	48
Nominal voltage range	VDC	28 .. 60
Speed (rpm)	min <sup>-1</sup>	2850
Power consumption	W	11.5
Min. ambient temperature	°C	-20
Max. ambient temperature	°C	72
Air flow	m <sup>3</sup> /h	350
Sound power level	B	6.0
Sound pressure level	dB(A)	52

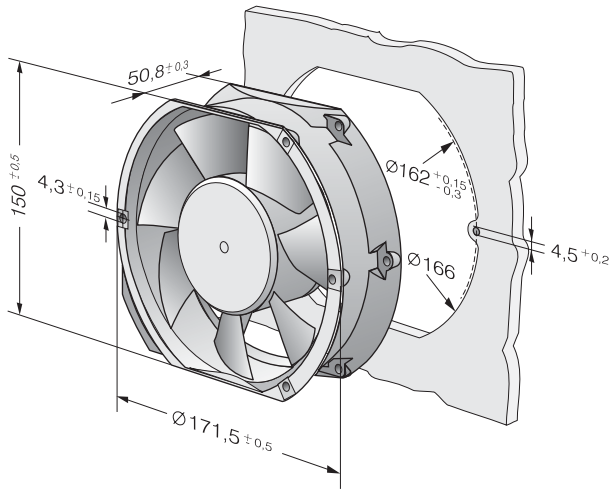
ml = Max. load · me = Max. efficiency · fa = Free air · cs = Customer specification · ce = Customer equipment  
Subject to change



**Technical description**

<b>Weight</b>	0.760 kg
<b>Dimensions</b>	172 x 150 x 51 mm
<b>Impeller material</b>	Glass-fiber reinforced PA plastic
<b>Housing material</b>	Aluminum. Housing with grounding lug for M4 x 8 screw (Torx). 48 V design incl. screws.
<b>Airflow direction</b>	Exhaust over struts
<b>Direction of rotation</b>	Counterclockwise, viewed toward rotor
<b>Storage</b>	Ball bearing
<b>Service life L10 at 40 °C</b>	80000 h
<b>Service life L10 at maximum temperature</b>	37500 h
<b>Cable</b>	Flat plug 3.0 x 0.5 mm.
<b>Motor protection</b>	Protection against reverse polarity and blocked rotor.
<b>Locked-rotor protection</b>	Electronic locked-rotor protection, with electronic motor current limitation during startup and when rotor is locked.
<b>Approval</b>	VDE, CSA, UL, CE

## Product drawing



## Curves: Air performance

